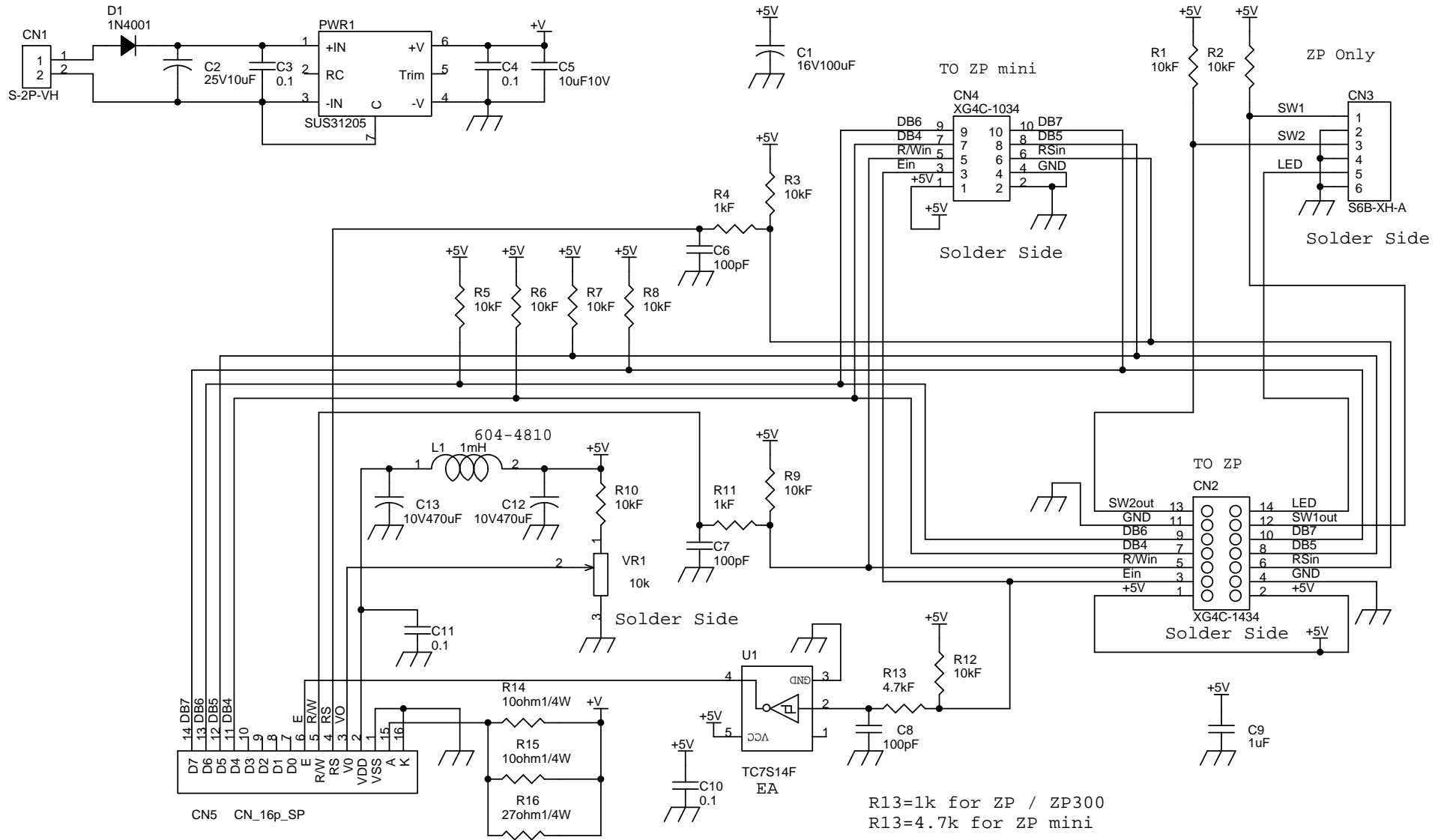


18.432MHz = HC49U/S (693-8822/RS) or ABL5 SMD (703-1812/RS)

Title		
ZP300 / CPU Board		
Size	Document Number	Rev
A3	A057	1
Date:	Wednesday, April 06, 2016	Sheet 1 of 1



R13=1k for ZP / ZP300
R13=4.7k for ZP mini

FDCC1602P (720-0213/RS)
OLED

Title		
LCDIF-Big r1		
Size	Document Number	Rev
A4	<Doc>	1
Date:	Saturday, February 20, 2016	Sheet 1 of 1

