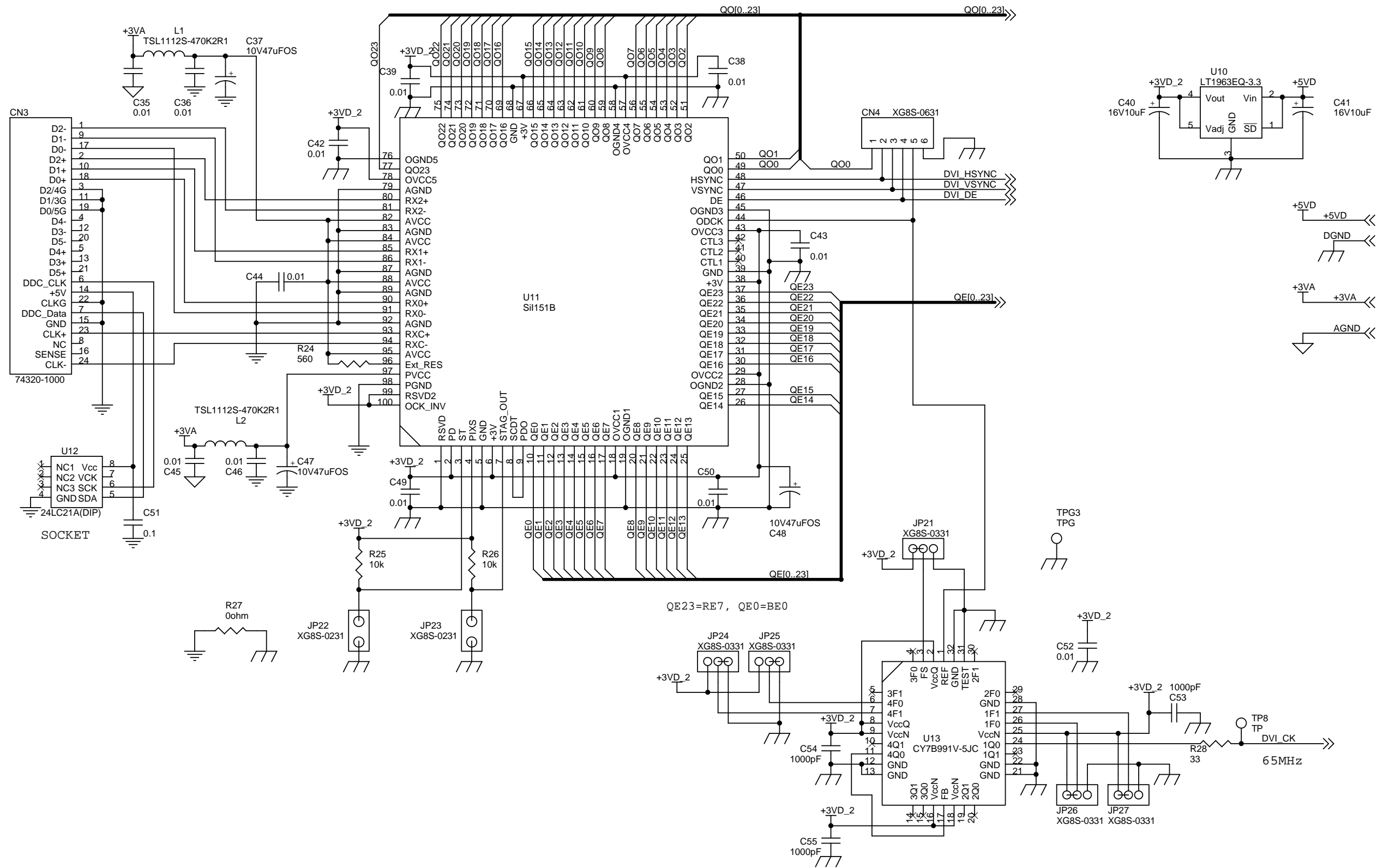
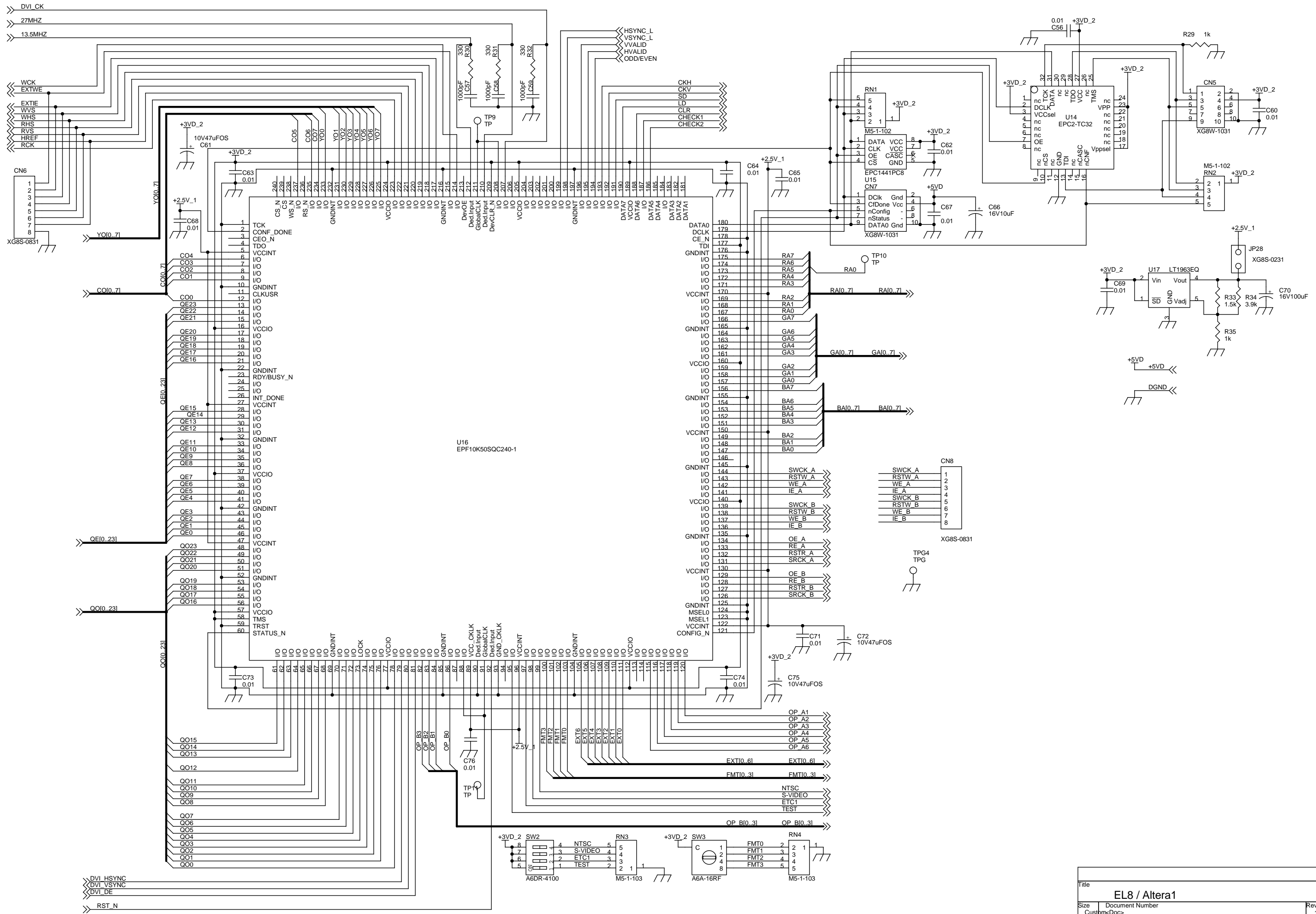
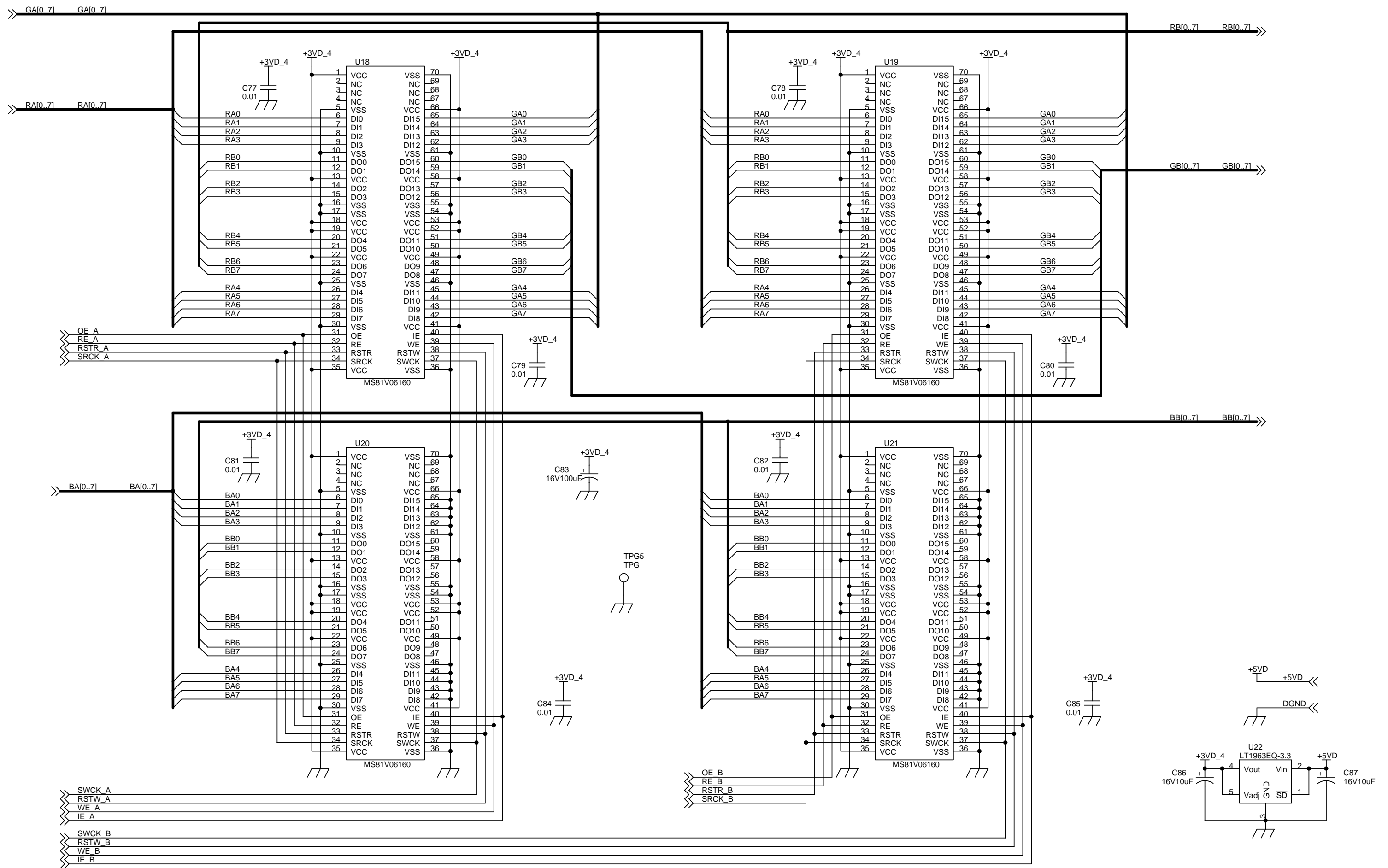


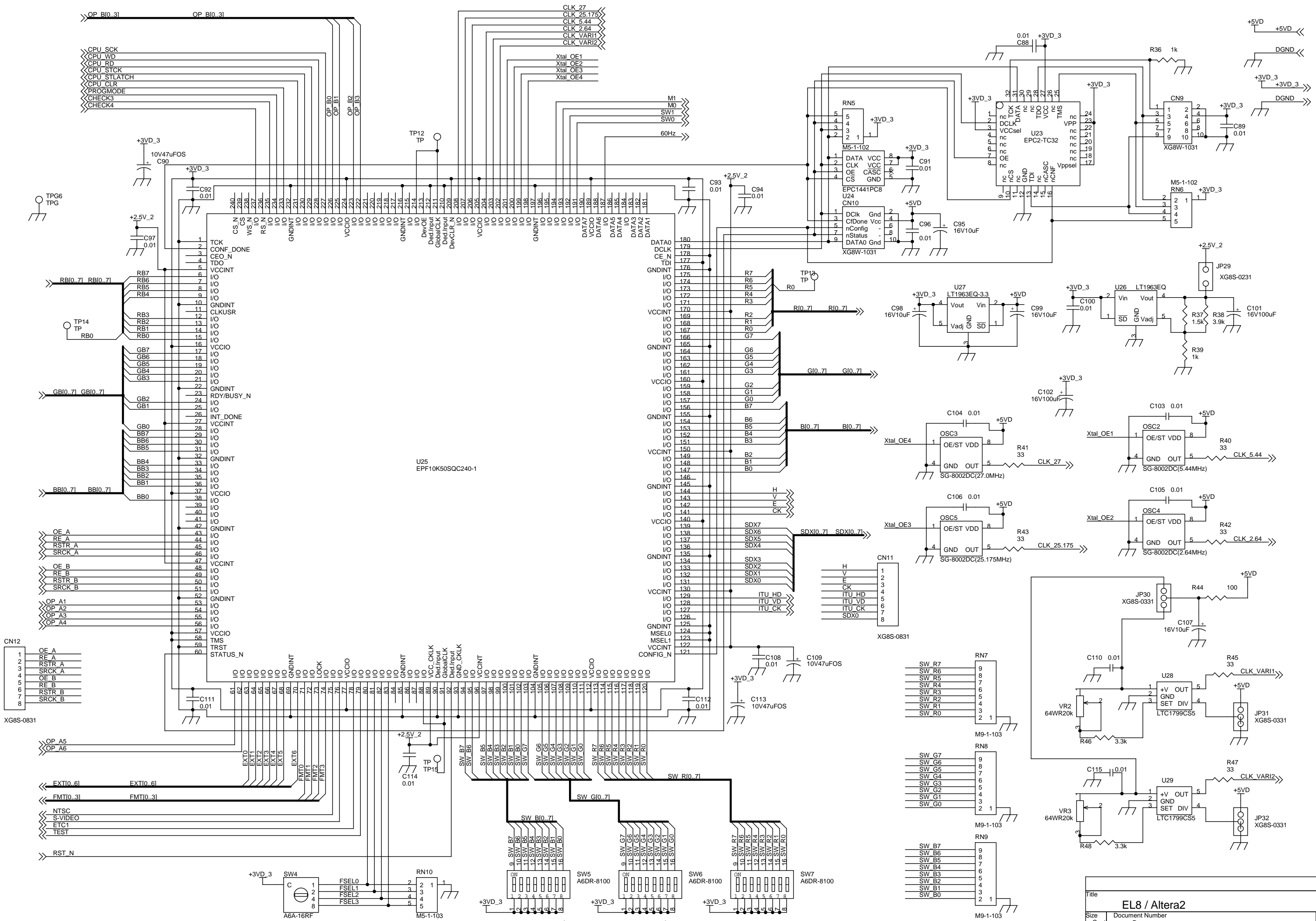
Title		
EL8 / NTSC		
Size	Document Number	Rev
Custom-Doc>		1
Date:	Tuesday, December 17, 2019	Sheet 1 of 7



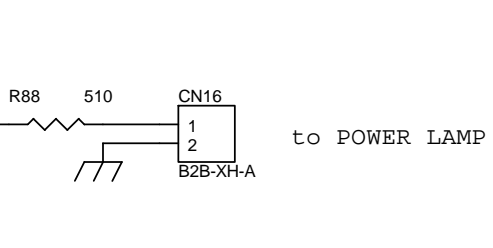
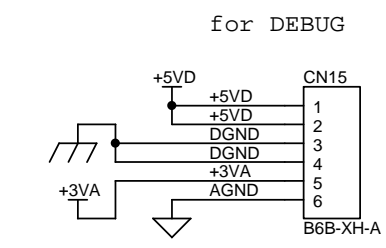
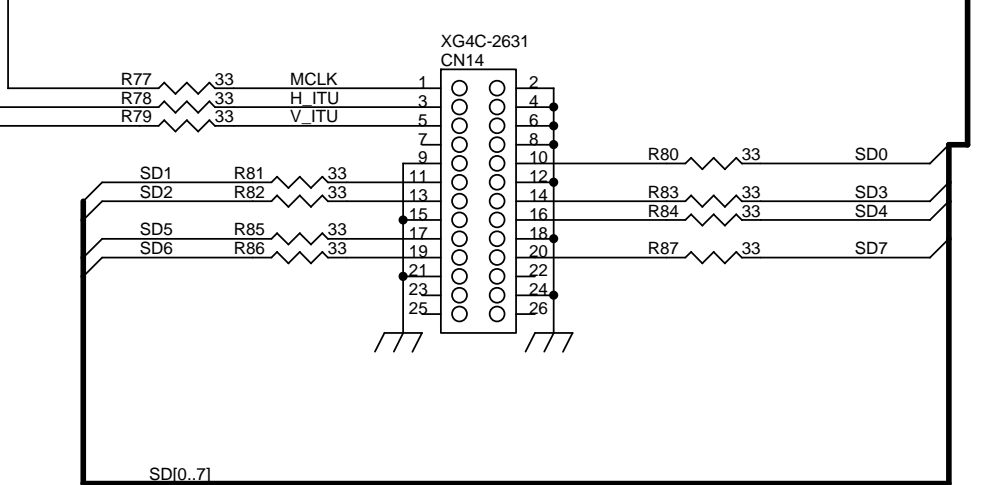
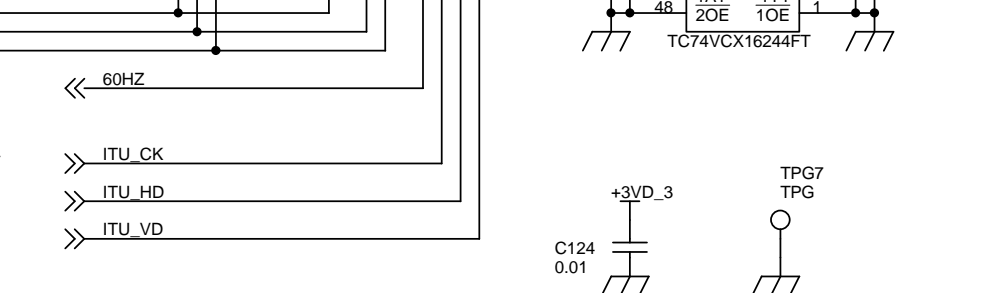
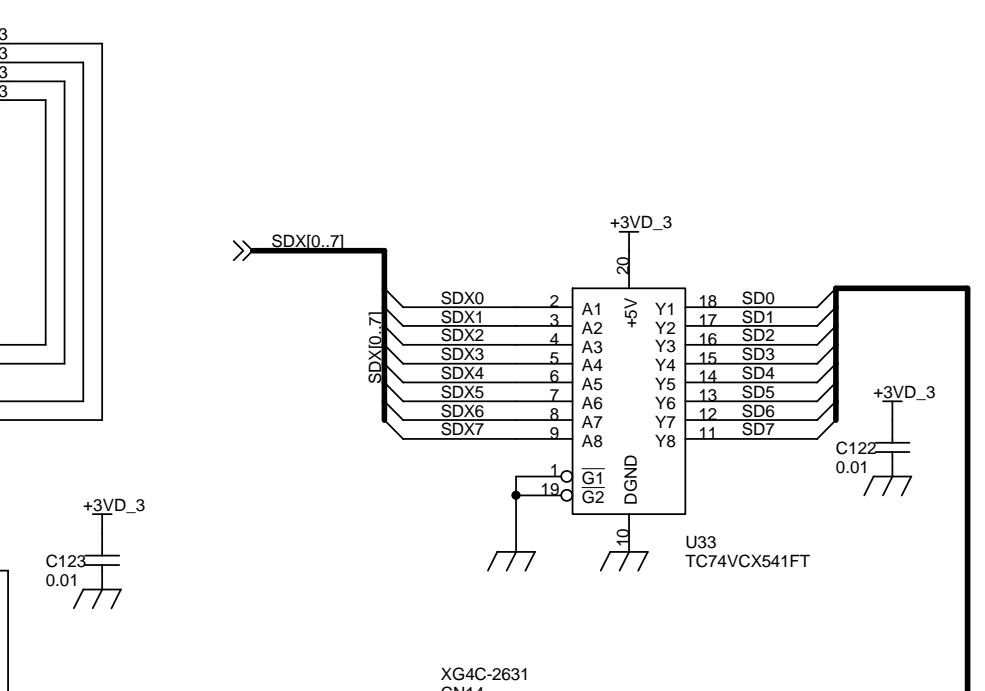
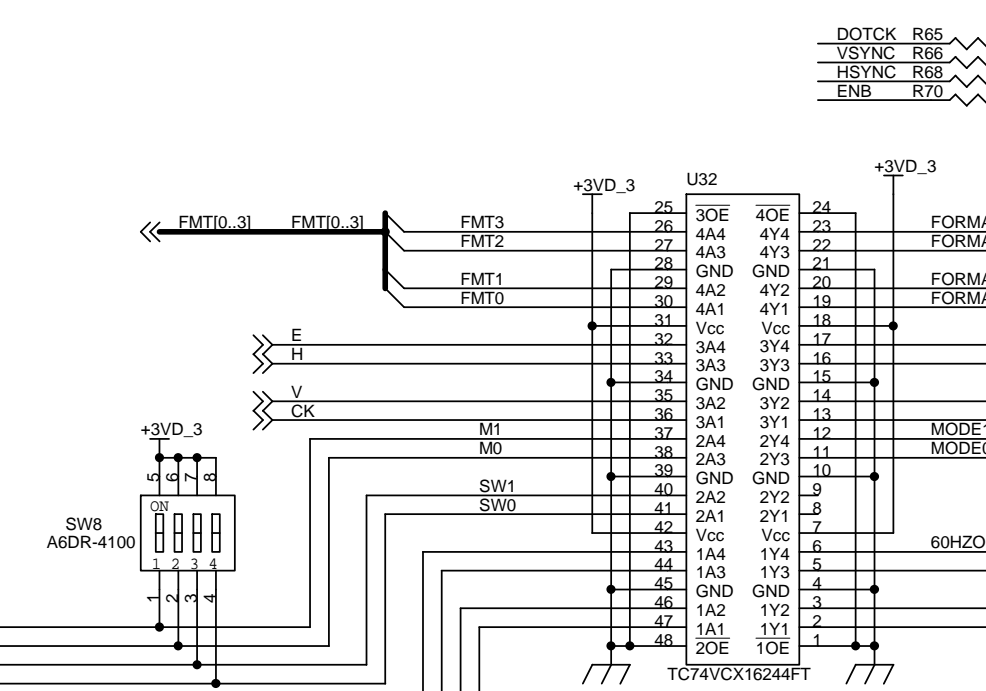
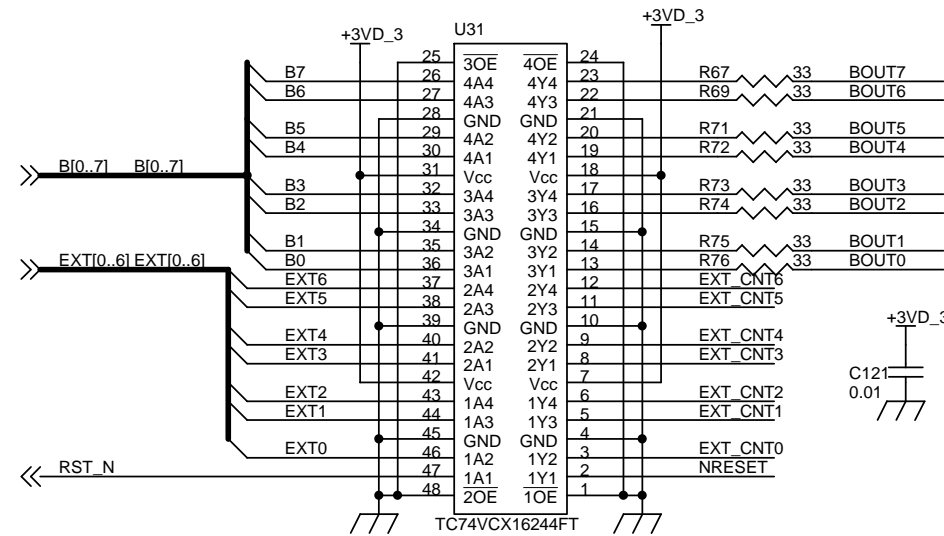
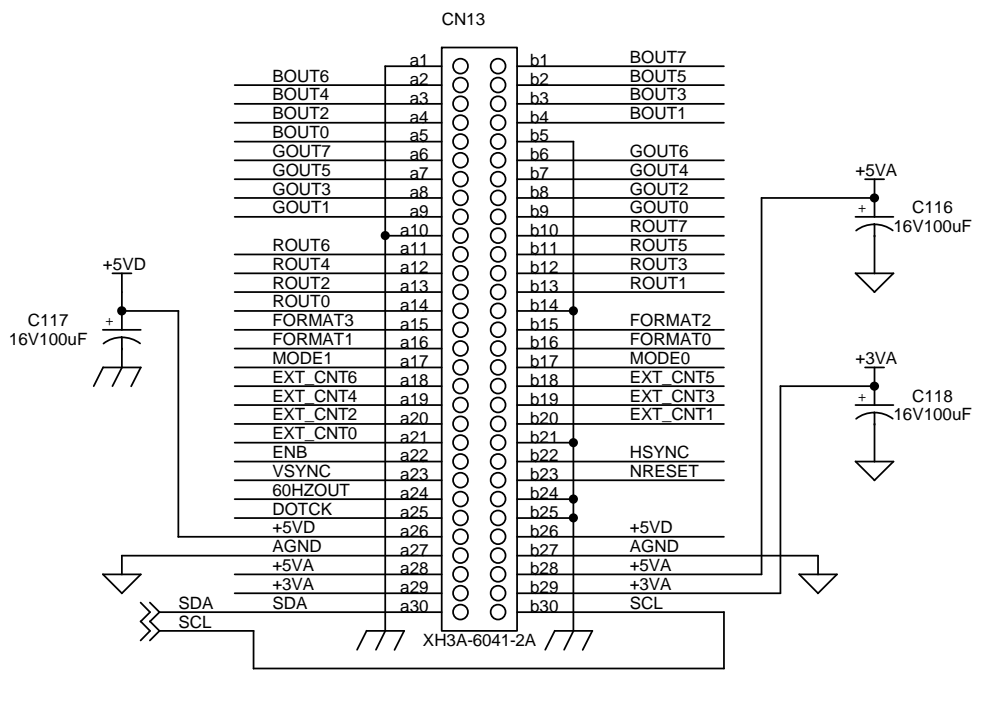
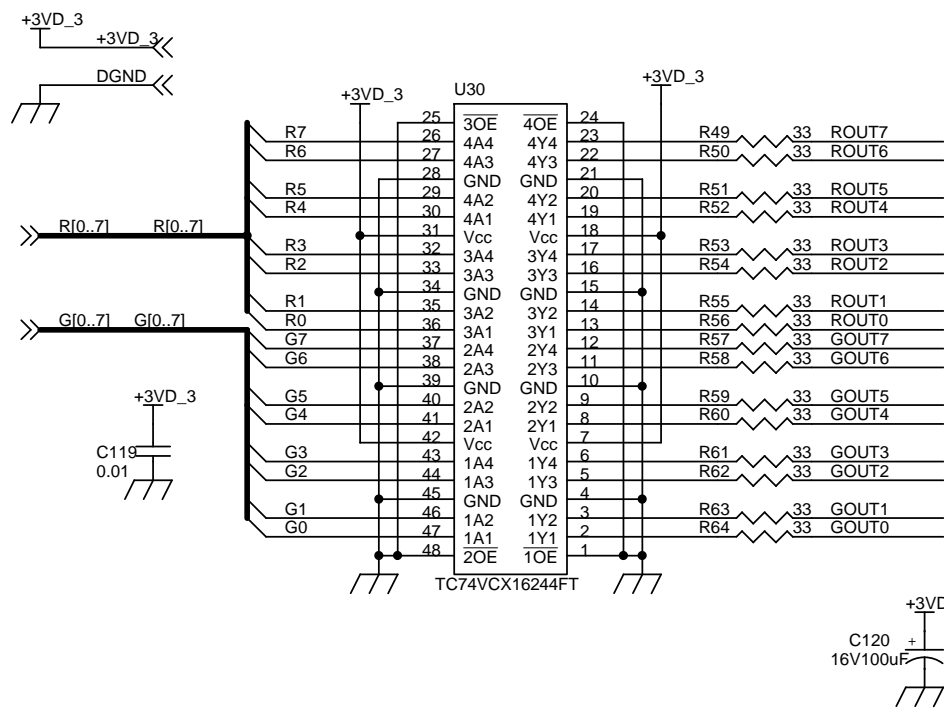
Title		
EL8 / DVI		
Size	Document Number	Rev
A3	<Doc>	1
Date:	Tuesday, December 17, 2019	Sheet 2 of 7







pin No. of SW5,6,7 is not correct.



Title		
EL8 / OUT		
Size	Document Number	Rev
A3	<Doc>	1
Date:	Tuesday, December 17, 2019	Sheet 6 of 7

