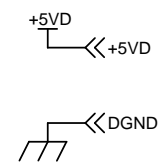
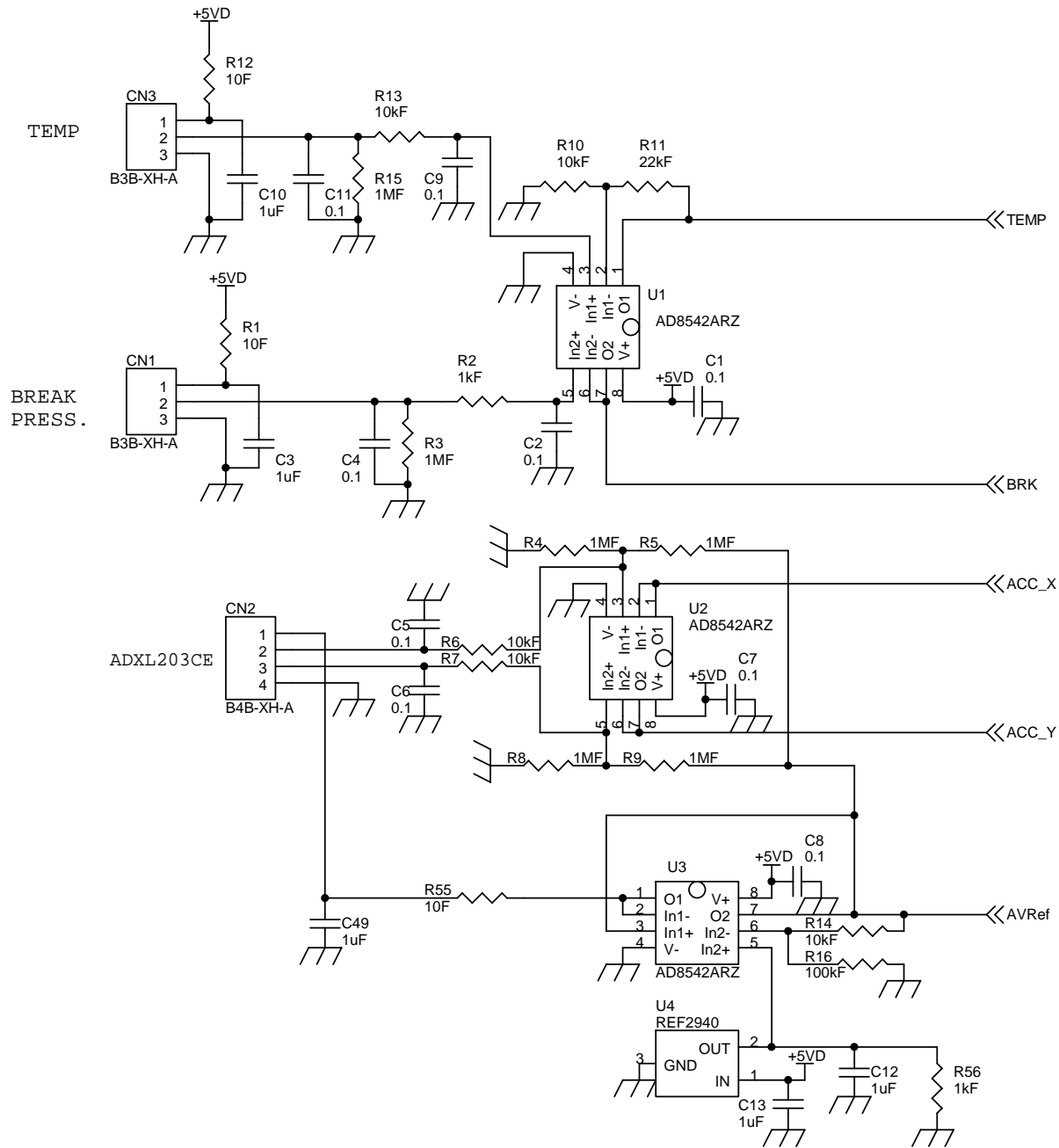
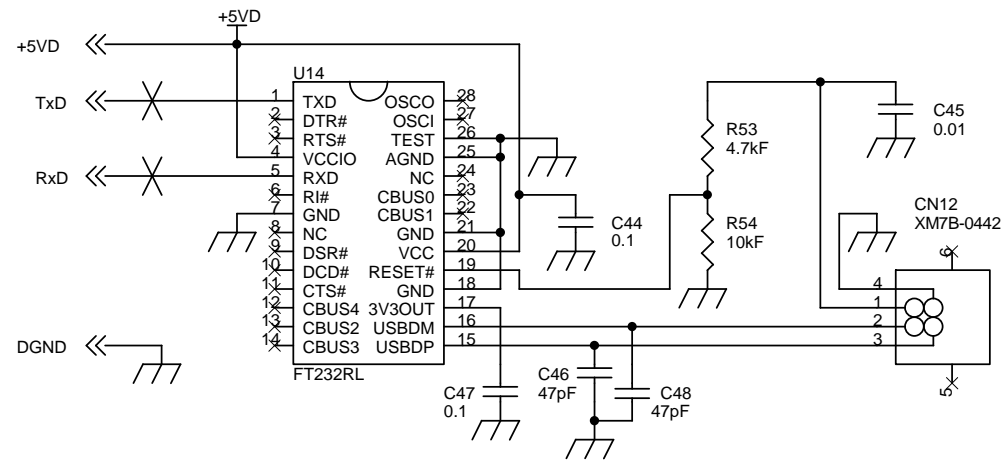


Title		
EV_Formula / CPU Board		
Size	Document Number	Rev
A3	B188	1
Date:	Tuesday, March 20, 2012	Sheet 2 of 3

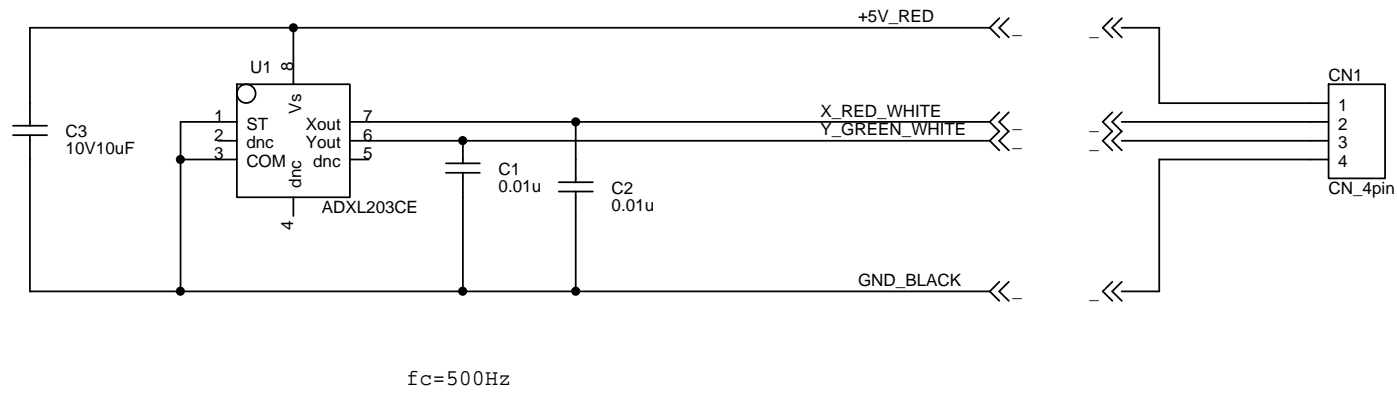


Title		
AMP / EV Formula CPU		
Size	Document Number	Rev
A4	B188	1
Date:	Tuesday, March 20, 2012	Sheet 1 of 3

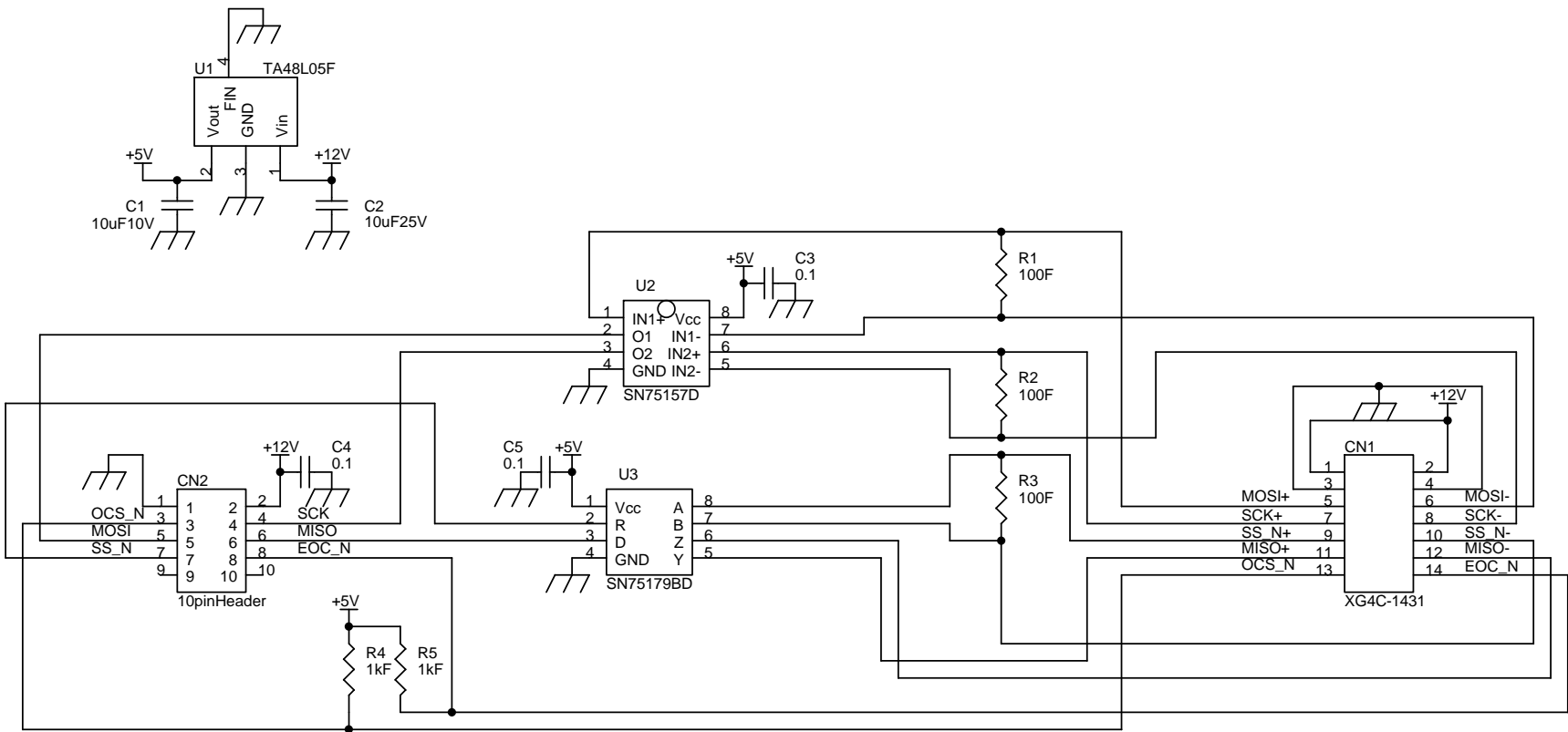
must change TxD<---->RxD



Title		
USB / EV Formula CPU		
Size	Document Number	Rev
A4	B188	1
Date:	Tuesday, March 20, 2012	Sheet 3 of 3

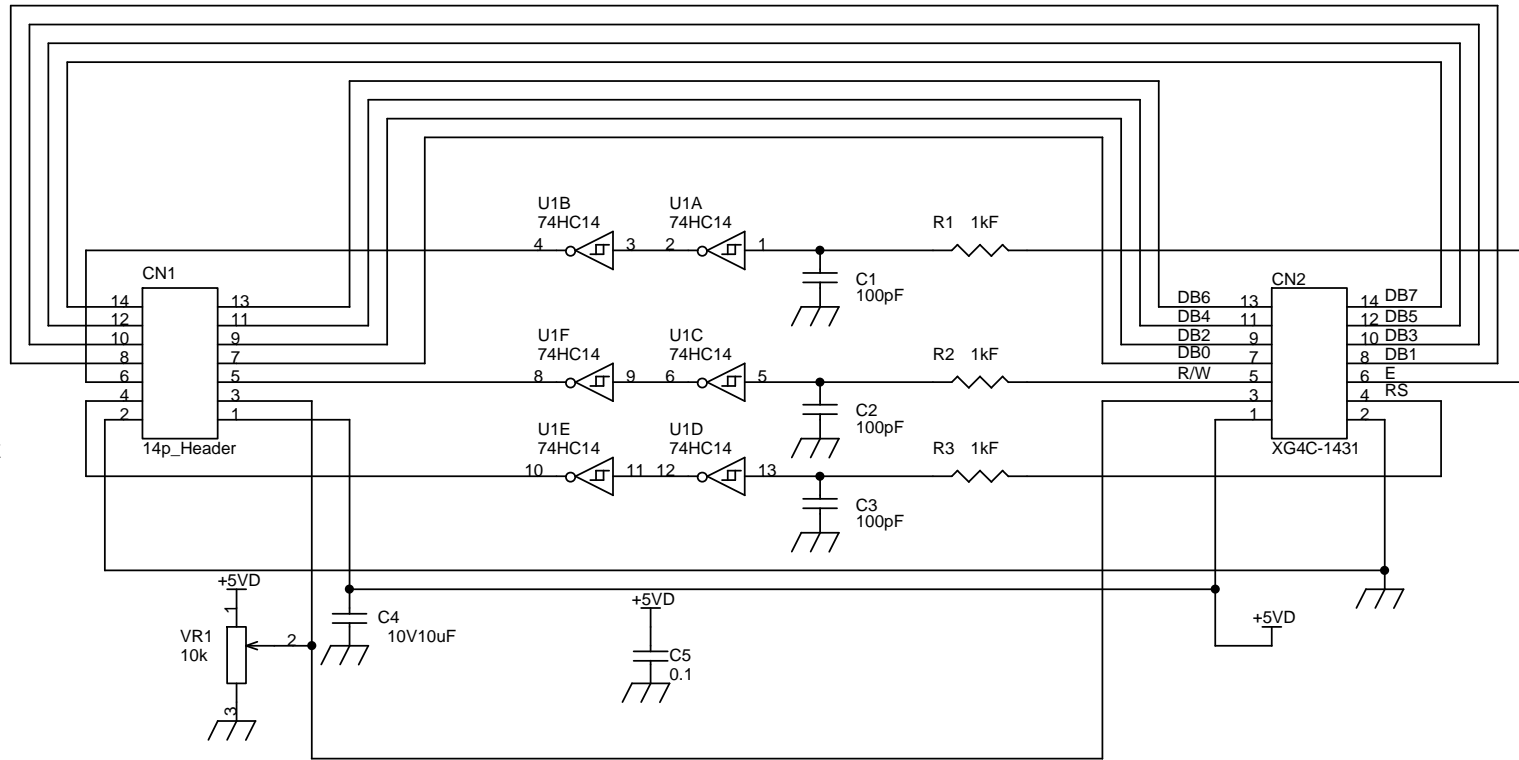


Title		
ADXL SENSOR UNIT		
Size A4	Document Number <Doc>	Rev 1
Date:	Saturday, June 11, 2011	Sheet 1 of 1



Title		
IVTA_IF		
Size A4	Document Number <Doc>	Rev 1
Date:	Monday, May 09, 2011	Sheet 1 of 1

AKITUKI  
Small  
LCD



Title		
LCD BUFFER		
Size A4	Document Number <Doc>	Rev 1
Date:	Wednesday, June 01, 2011	Sheet 1 of 1