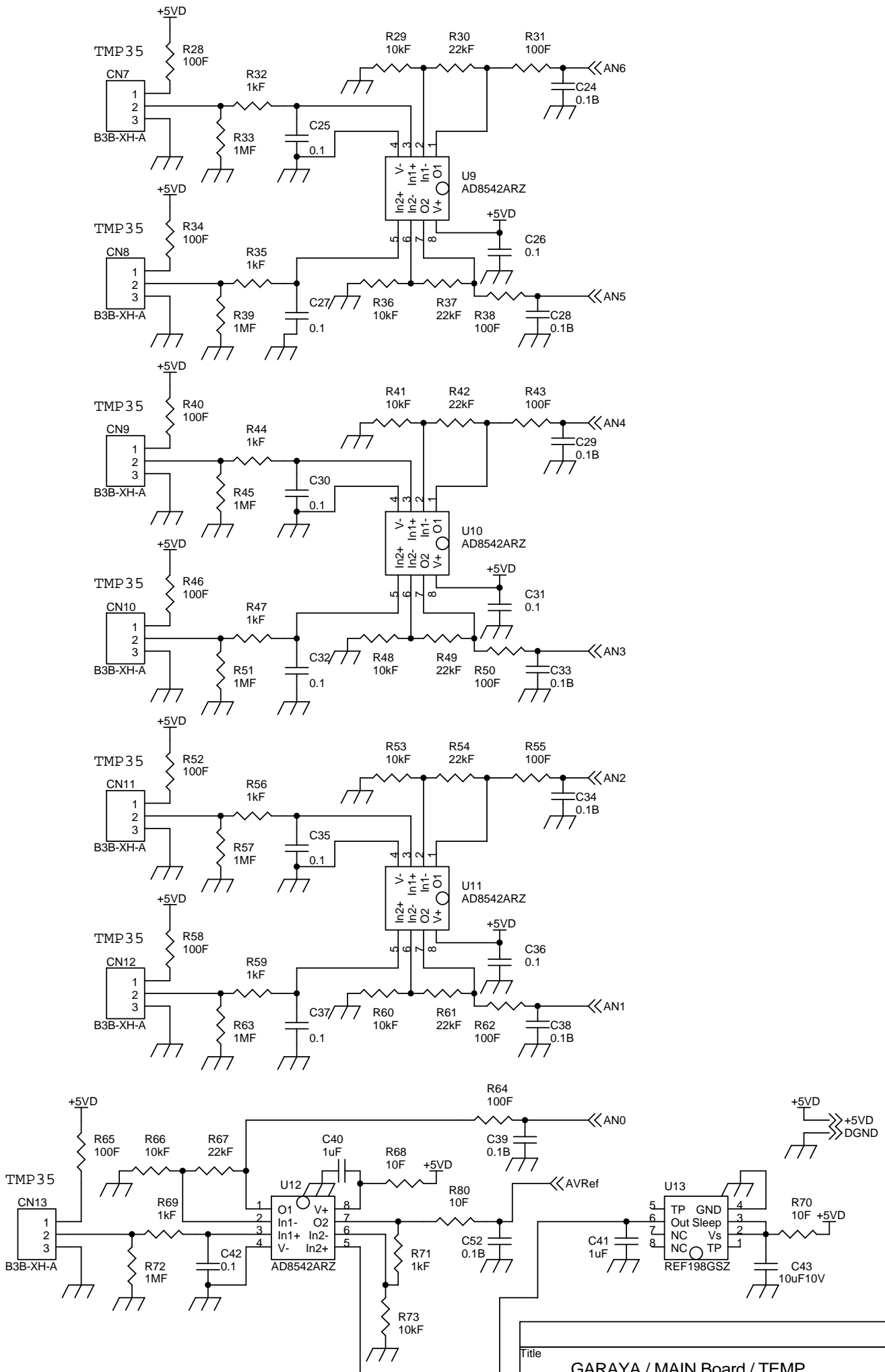
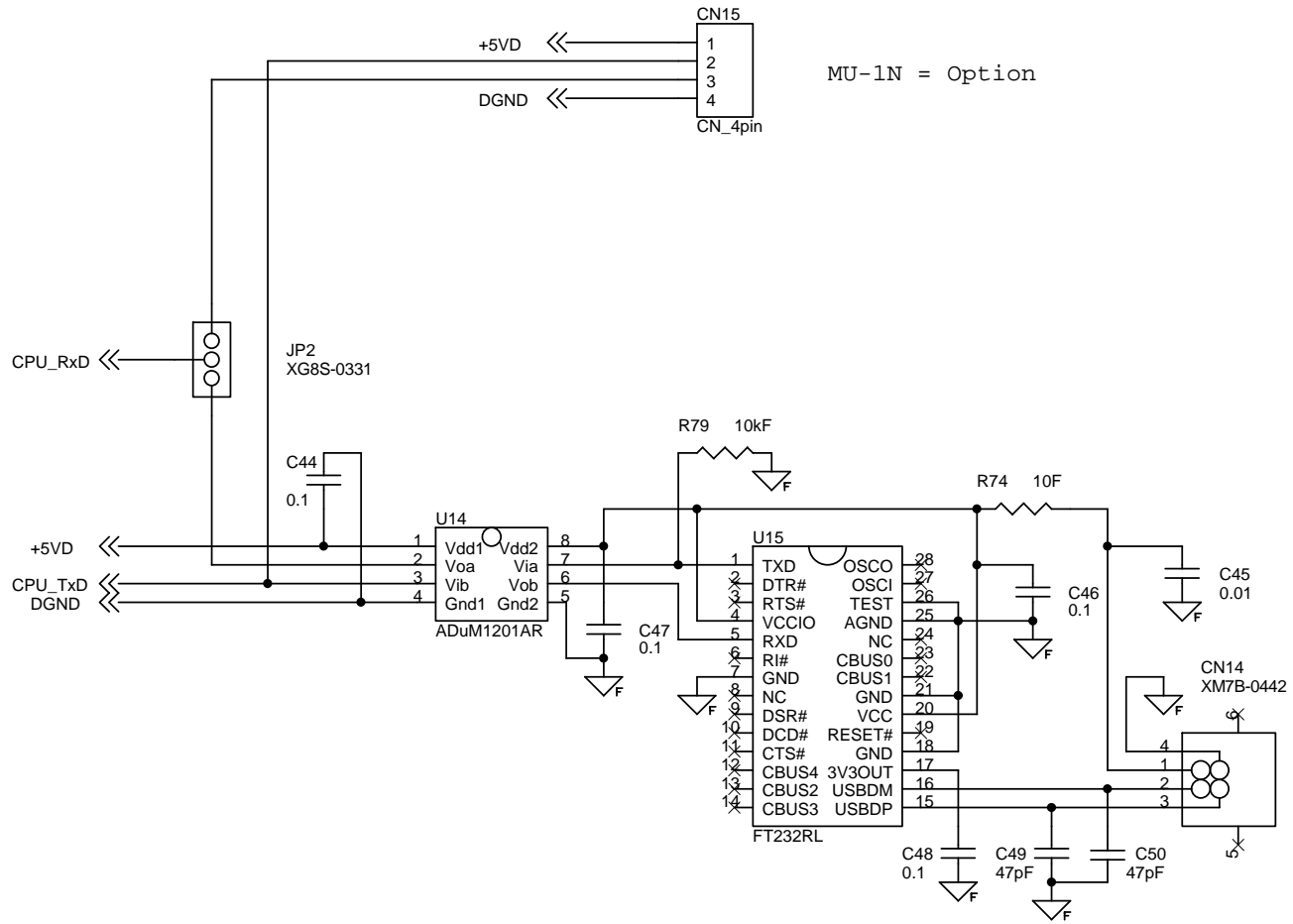


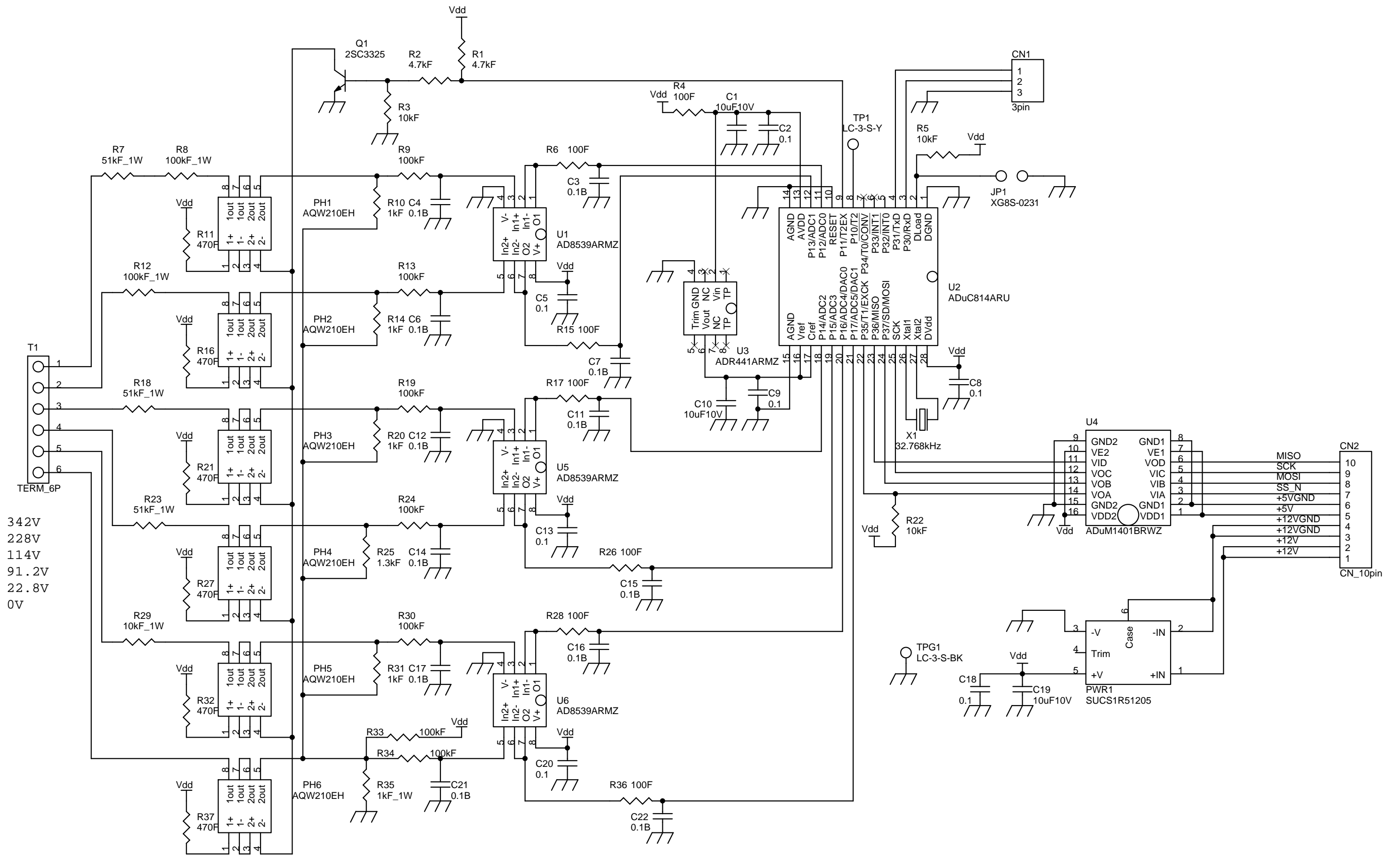
Title		
GARAYA / MAIN Board / CPU		
Size	Document Number	Rev
A3	B195	1
Date:	Tuesday, July 10, 2012	Sheet 1 of 3



Title		
GARAYA / MAIN Board / TEMP		
Size	Document Number	Rev
Custom	B195	1
Date:	Tuesday, July 10, 2012	Sheet 2 of 3

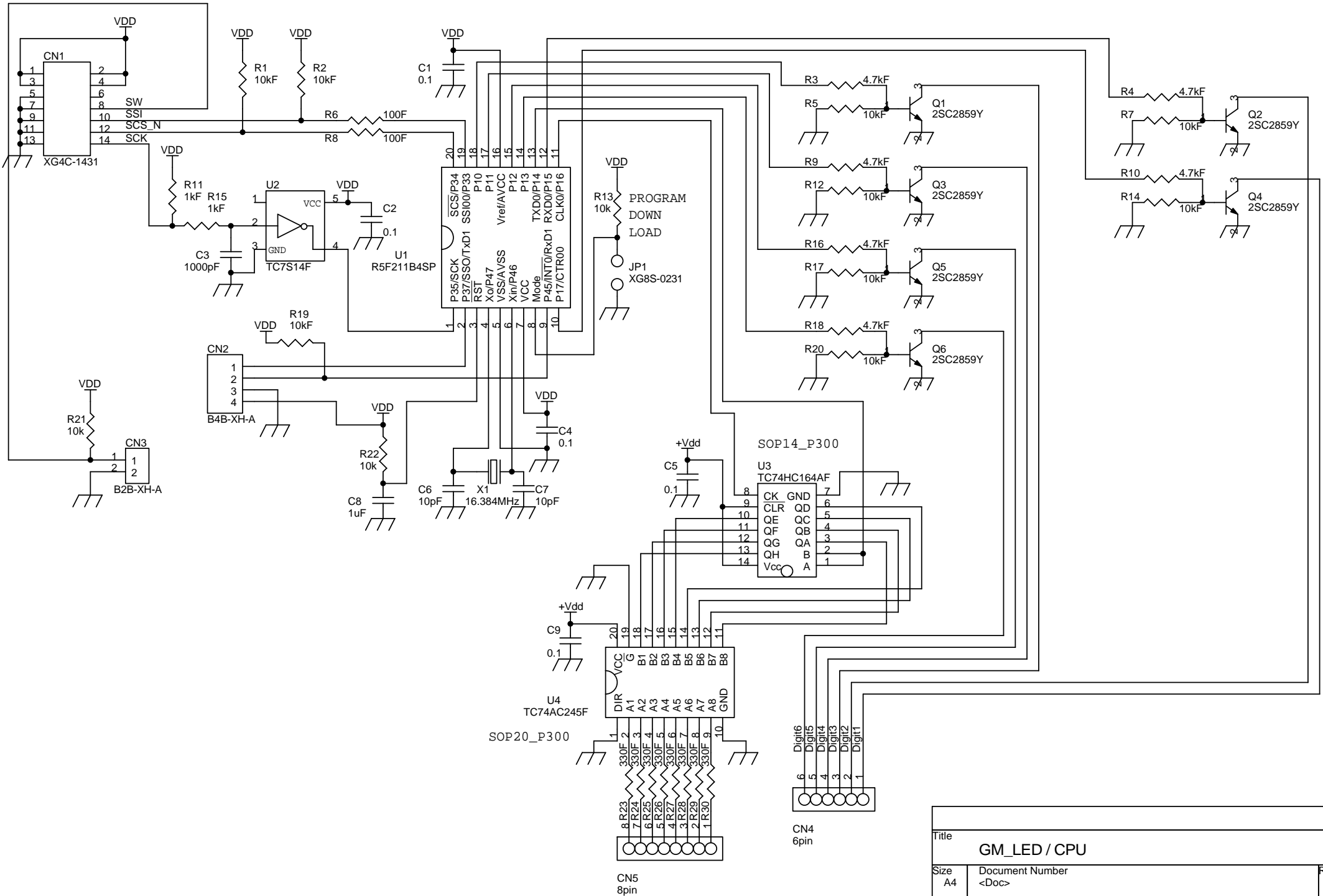


Title		
GARAYA / MAIN Board / USB		
Size	Document Number	Rev
A4	B195	1
Date:	Tuesday, July 10, 2012	Sheet 3 of 3

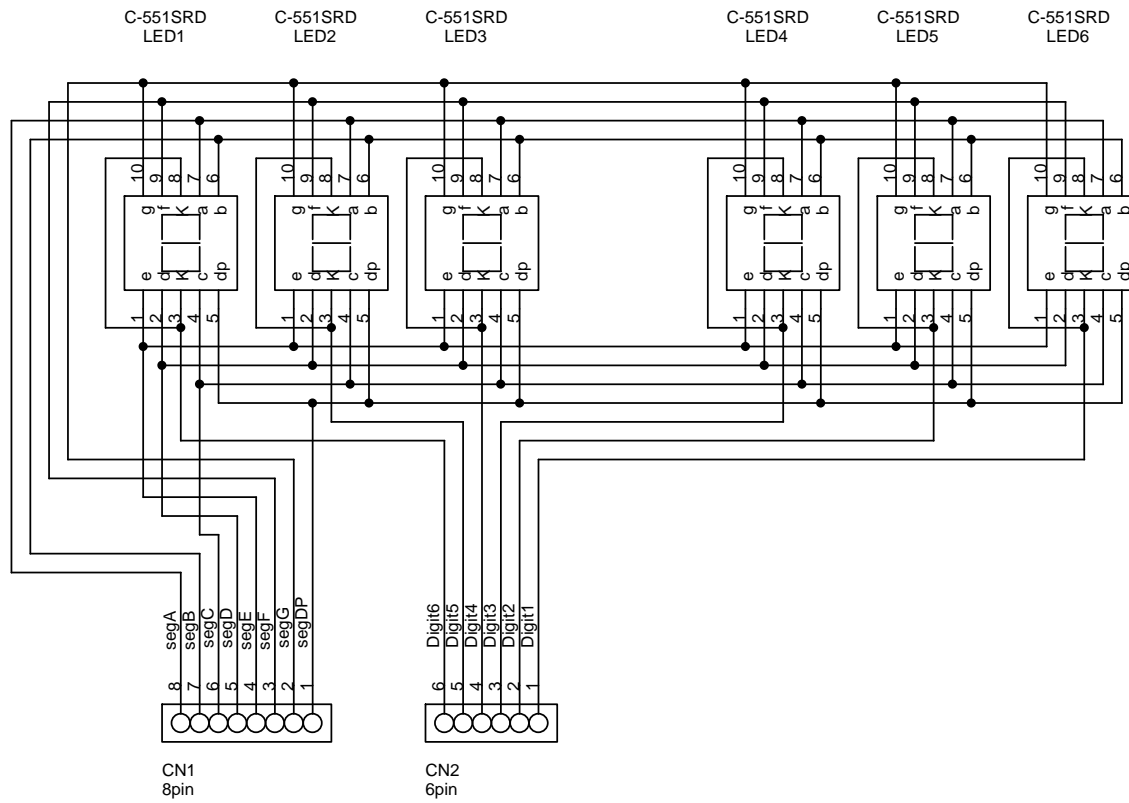


342V
228V
114V
91.2V
22.8V
0V

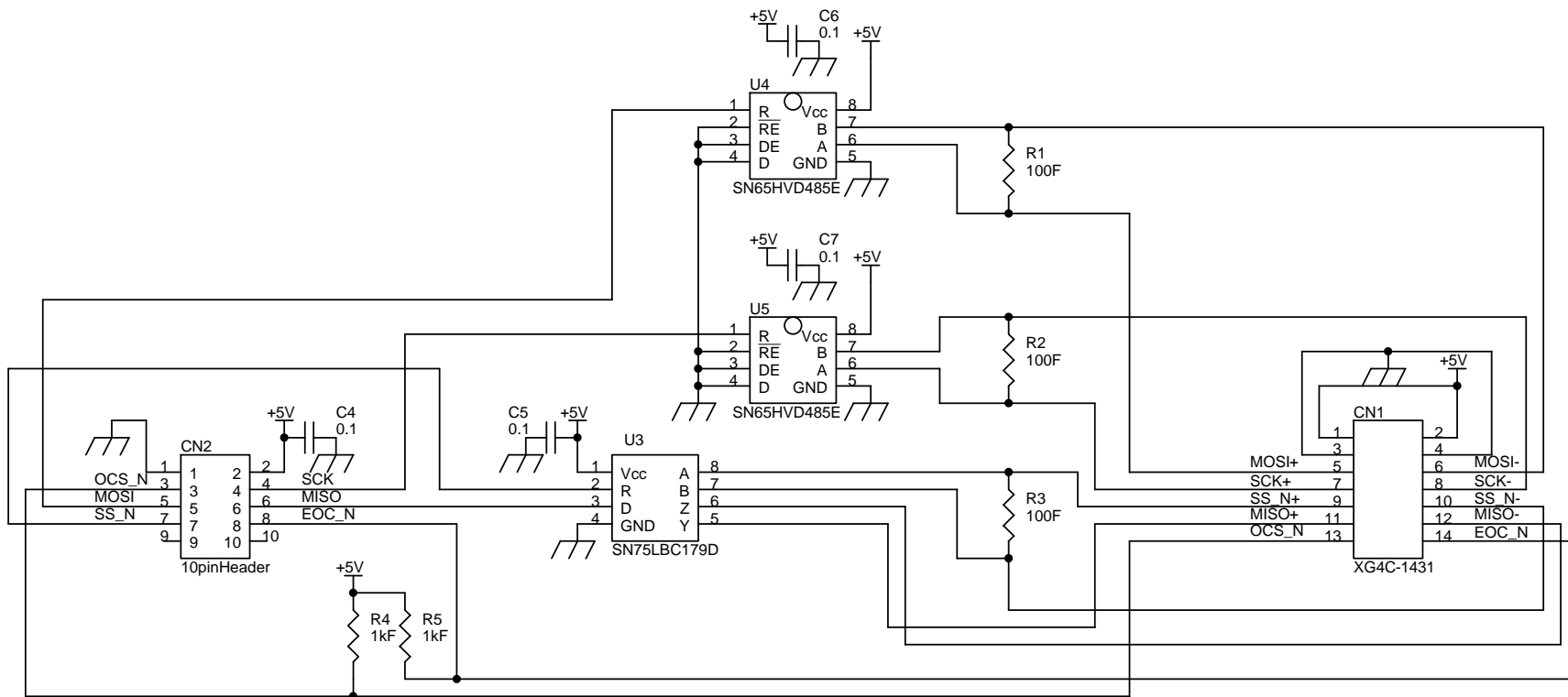
Title		
GARAYA / AD 5Pack		
Size	Document Number	Rev
Custom	B195	1
Date:	Tuesday, July 10, 2012	Sheet 1 of 1



Title		
GM_LED / CPU		
Size	Document Number	Rev
A4	<Doc>	1
Date:	Tuesday, July 10, 2012	Sheet 1 of 1



Title		
LED BOARD		
Size	Document Number	Rev
A4	<Doc>	1
Date:	Tuesday, July 10, 2012	Sheet 1 of 1



IVT-A Modified type ONLY

CN2 SOLDERED TO IVT-A DIRECT

Title		
GARAYA / IVTA_IF		
Size	Document Number	Rev
A4	B195	1
Date:	Tuesday, July 10, 2012	Sheet 1 of 1