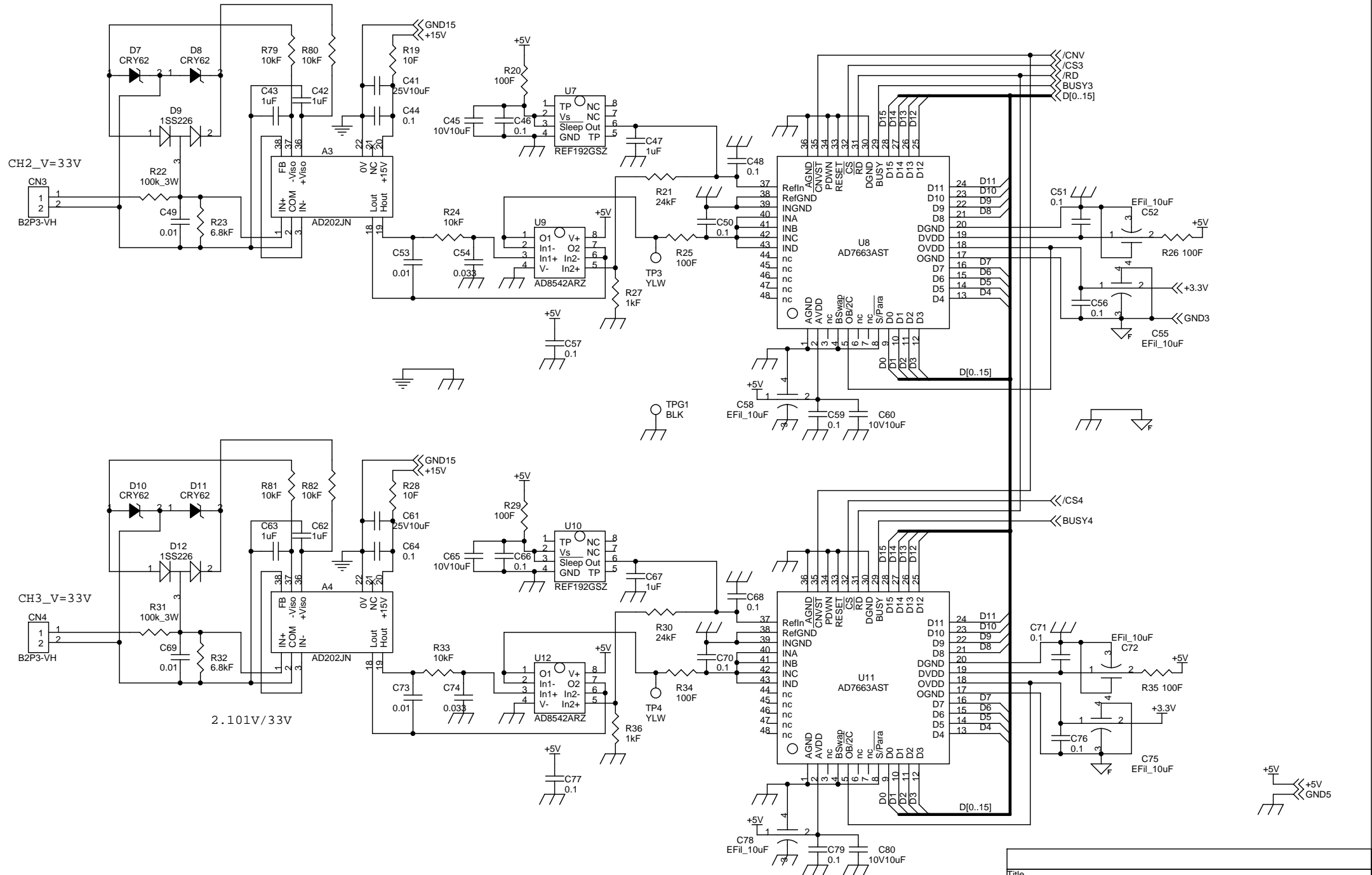
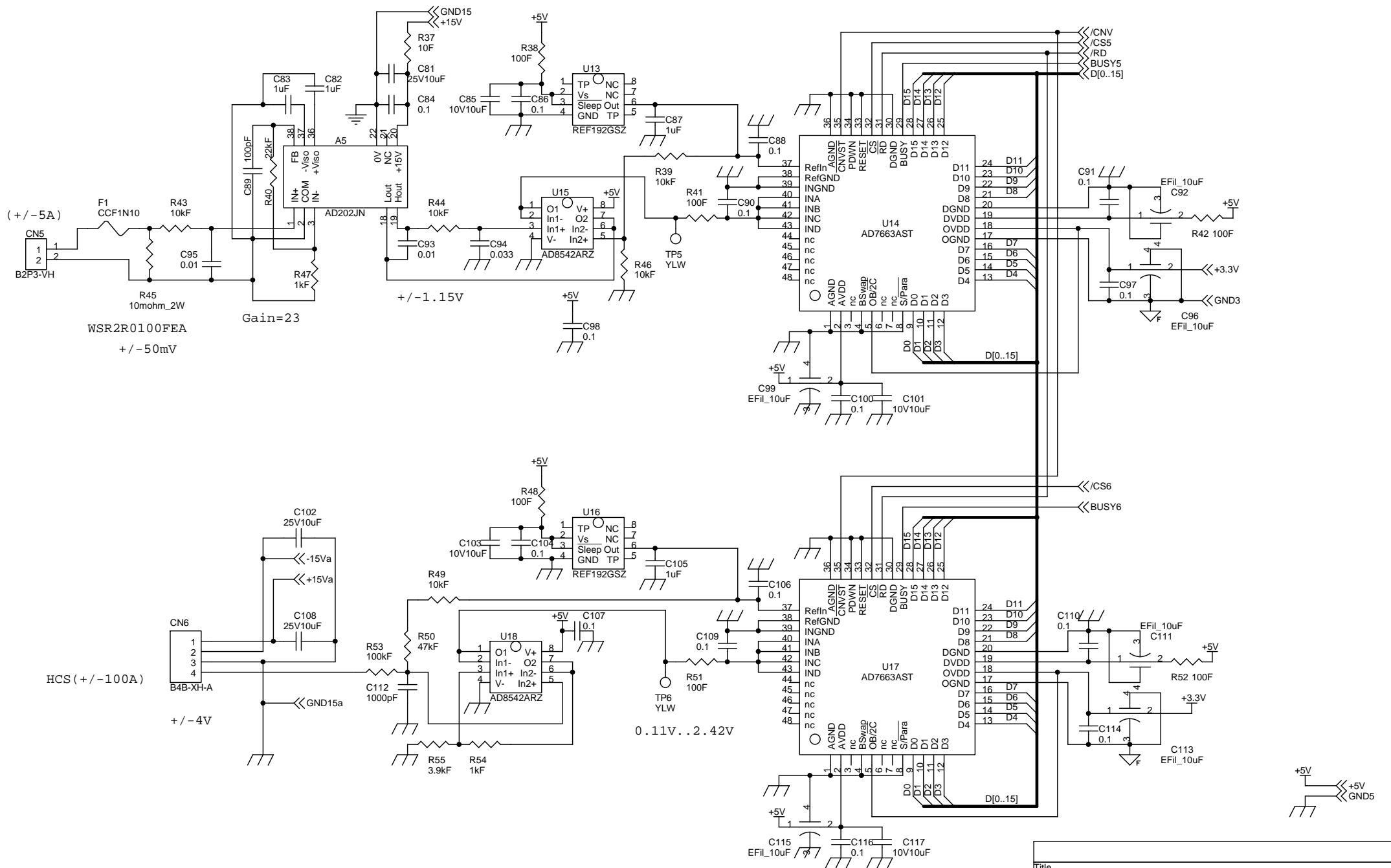


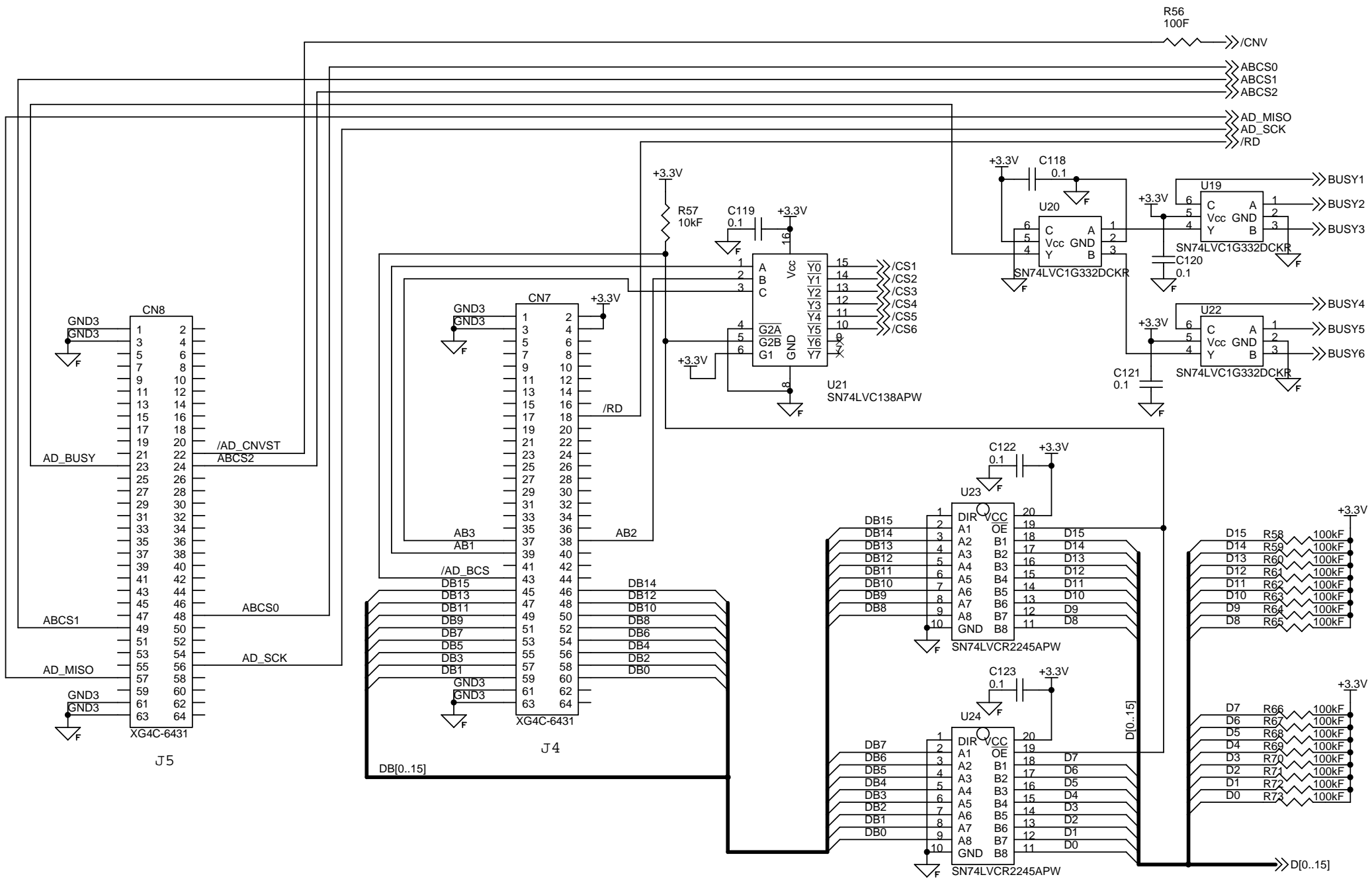
| | | |
|----------------------------|-------------------------|--------------|
| Title | | |
| Battery Monitor / 1 | | |
| Size | Document Number | Rev |
| Custom | B221 | 1 |
| Date: | Monday, August 10, 2015 | Sheet 1 of 6 |



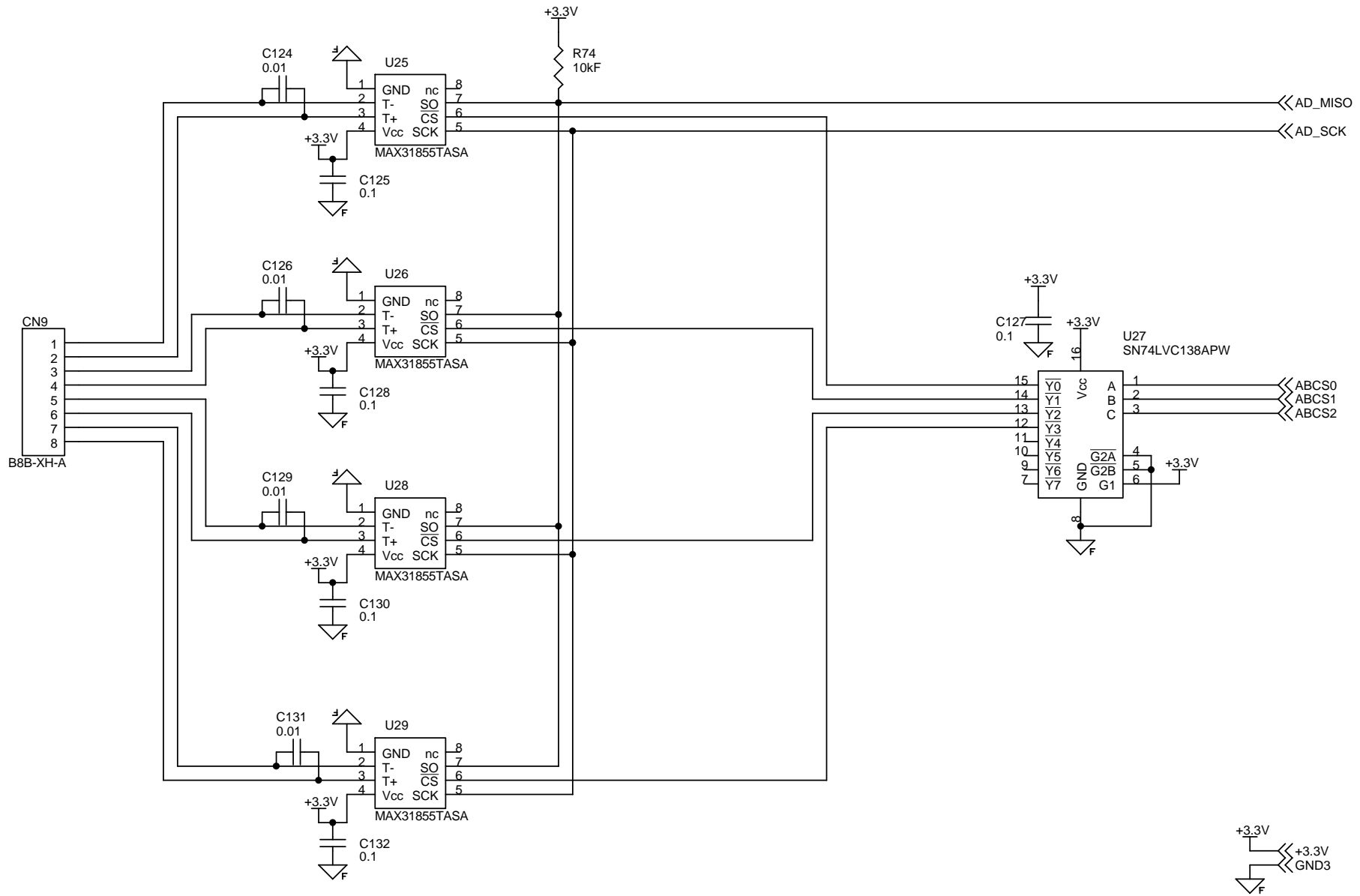
| | | |
|---------------------|-------------------------|--------------|
| Title | | |
| Battery Monitor / 2 | | |
| Size | Document Number | Rev |
| Custom | B221 | 1 |
| Date: | Monday, August 10, 2015 | Sheet 2 of 6 |



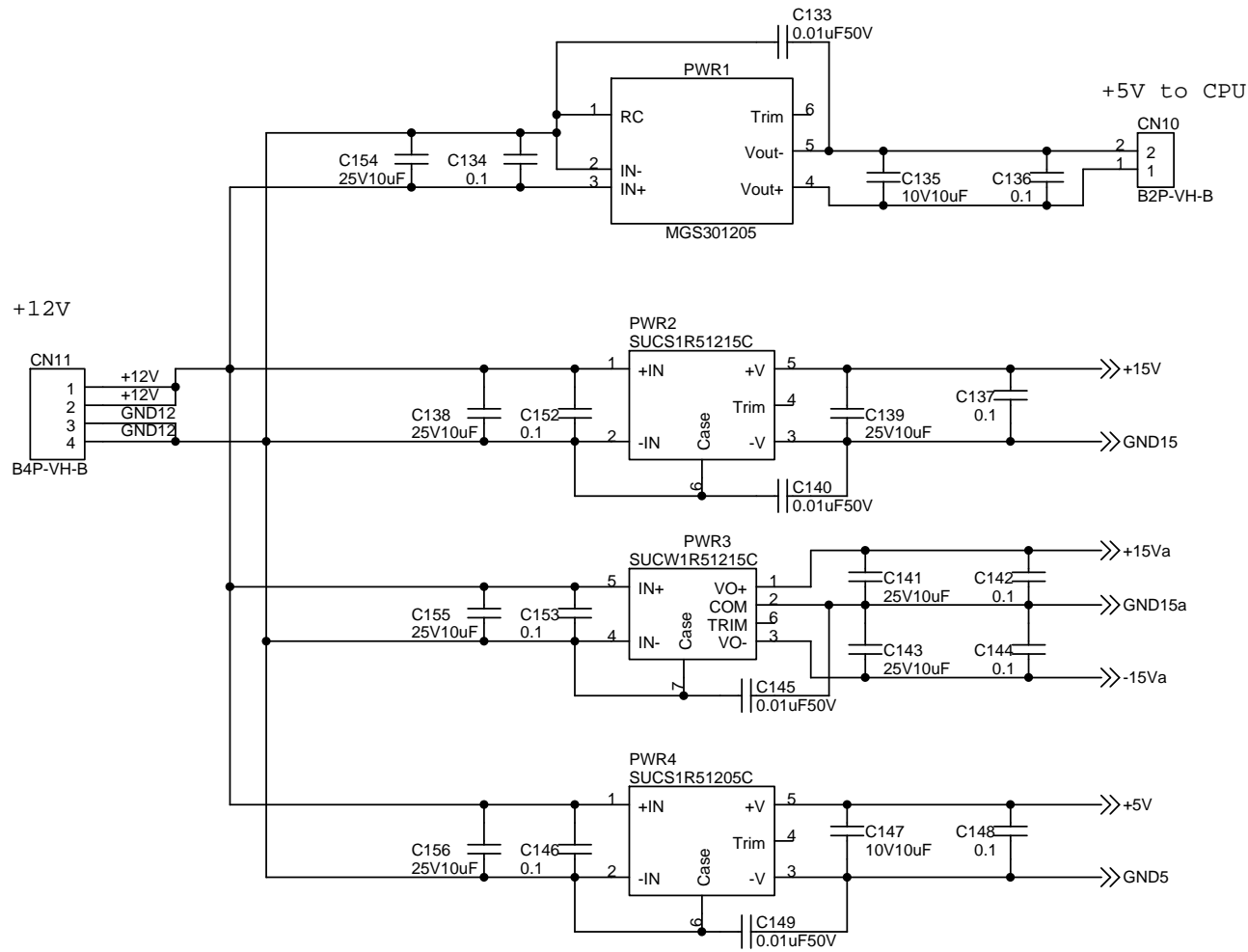
| | | |
|---------------------|-------------------------|--------------|
| Title | | |
| Battery Monitor / 3 | | |
| Size | Document Number | Rev |
| Custom | B221 | <Rev |
| Date: | Monday, August 10, 2015 | Sheet 3 of 6 |



| | | |
|----------------------------|-------------------------|--------------|
| Title | | |
| Battery Monitor / 4 | | |
| Size | Document Number | Rev |
| A4 | B221 | 1 |
| Date: | Monday, August 10, 2015 | Sheet 4 of 6 |



| | | |
|---------------------|-------------------------|--------------|
| Title | | |
| Battery Monitor / 5 | | |
| Size | Document Number | Rev |
| A4 | B221 | 1 |
| Date: | Monday, August 10, 2015 | Sheet 5 of 6 |



| | | |
|---------------------|-------------------------|--------------|
| Title | | |
| Battery Monitor / 6 | | |
| Size | Document Number | Rev |
| A4 | B221 | 1 |
| Date: | Monday, August 10, 2015 | Sheet 6 of 6 |