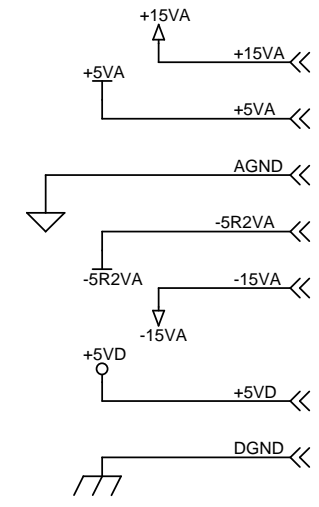
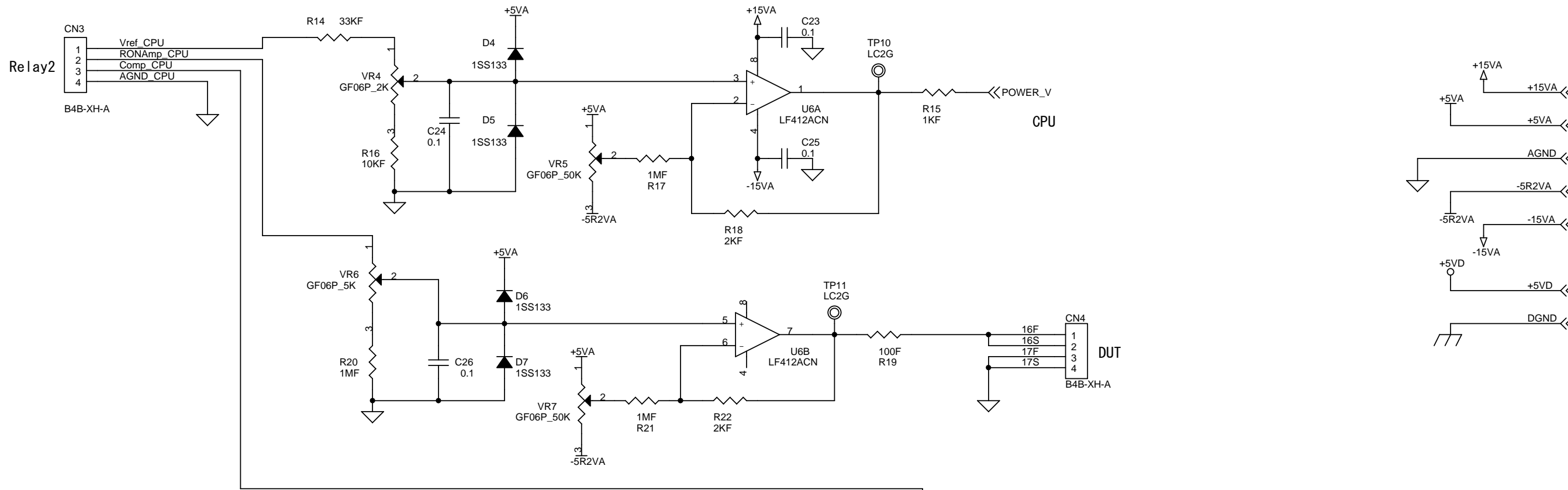
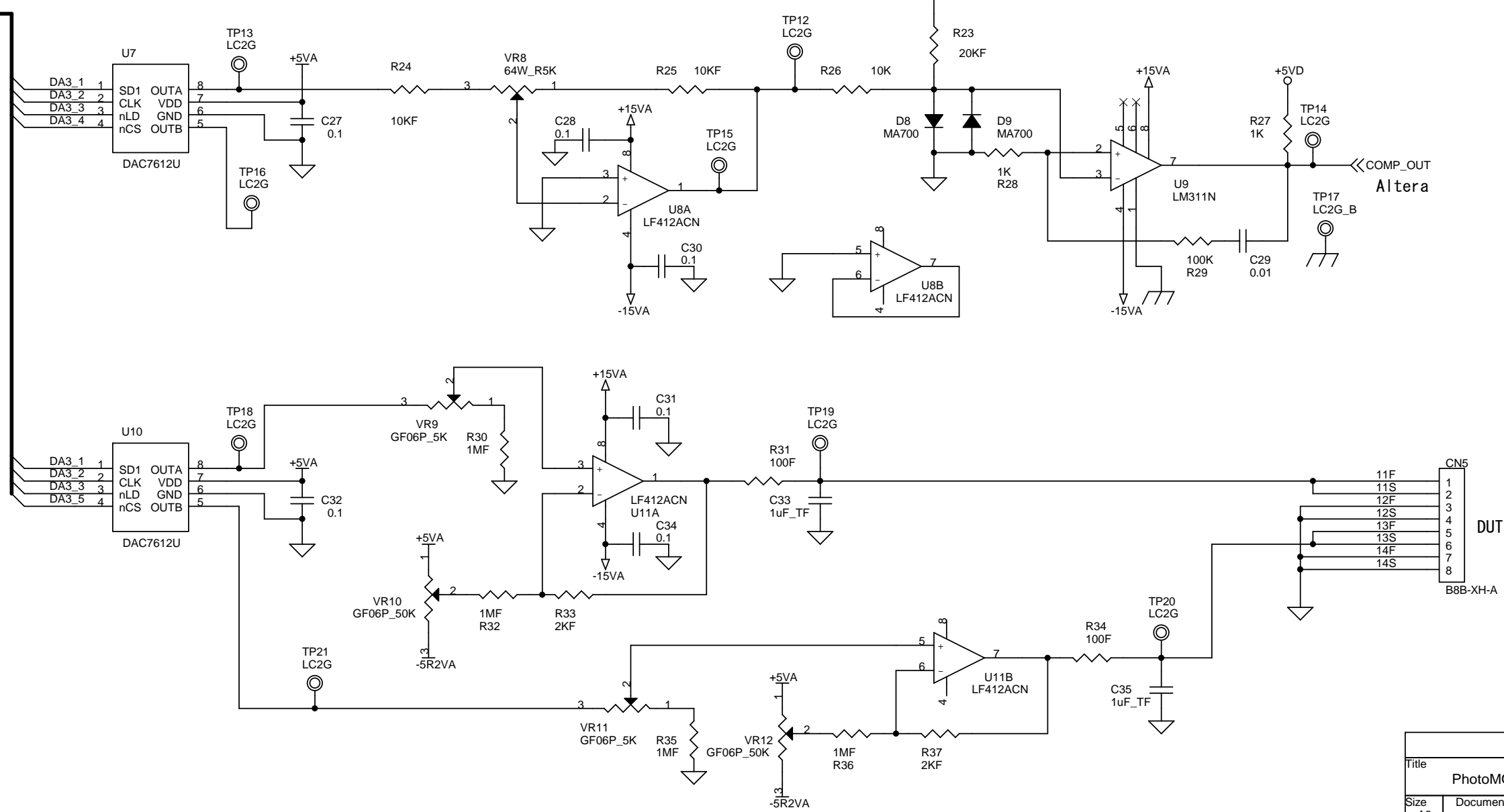


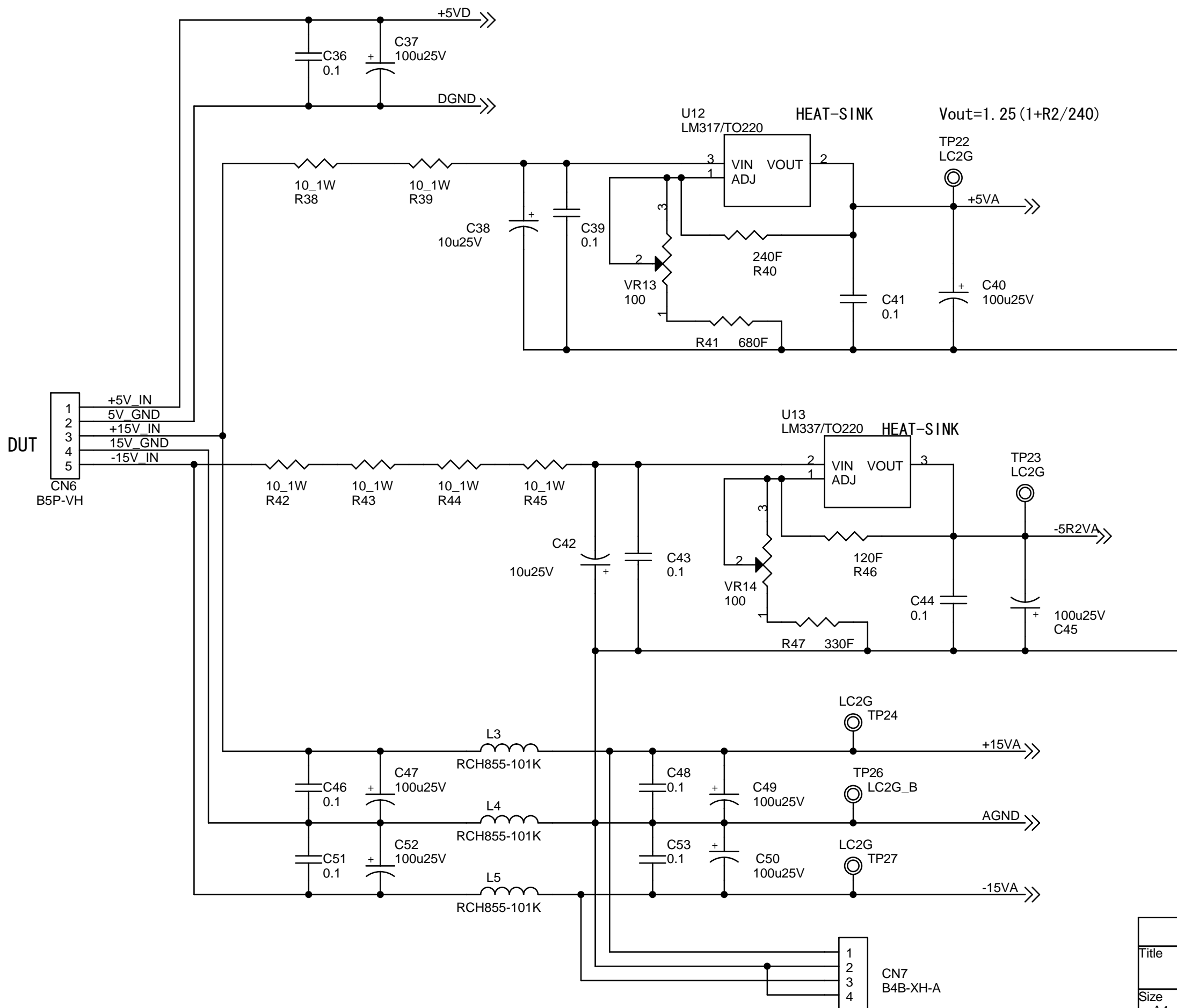
Title		
PhotoMOS Tester		
Size	Document Number	Rev
A3	Analog1	004
Date:	Tuesday, December 17, 2019	Sheet 1 of 5



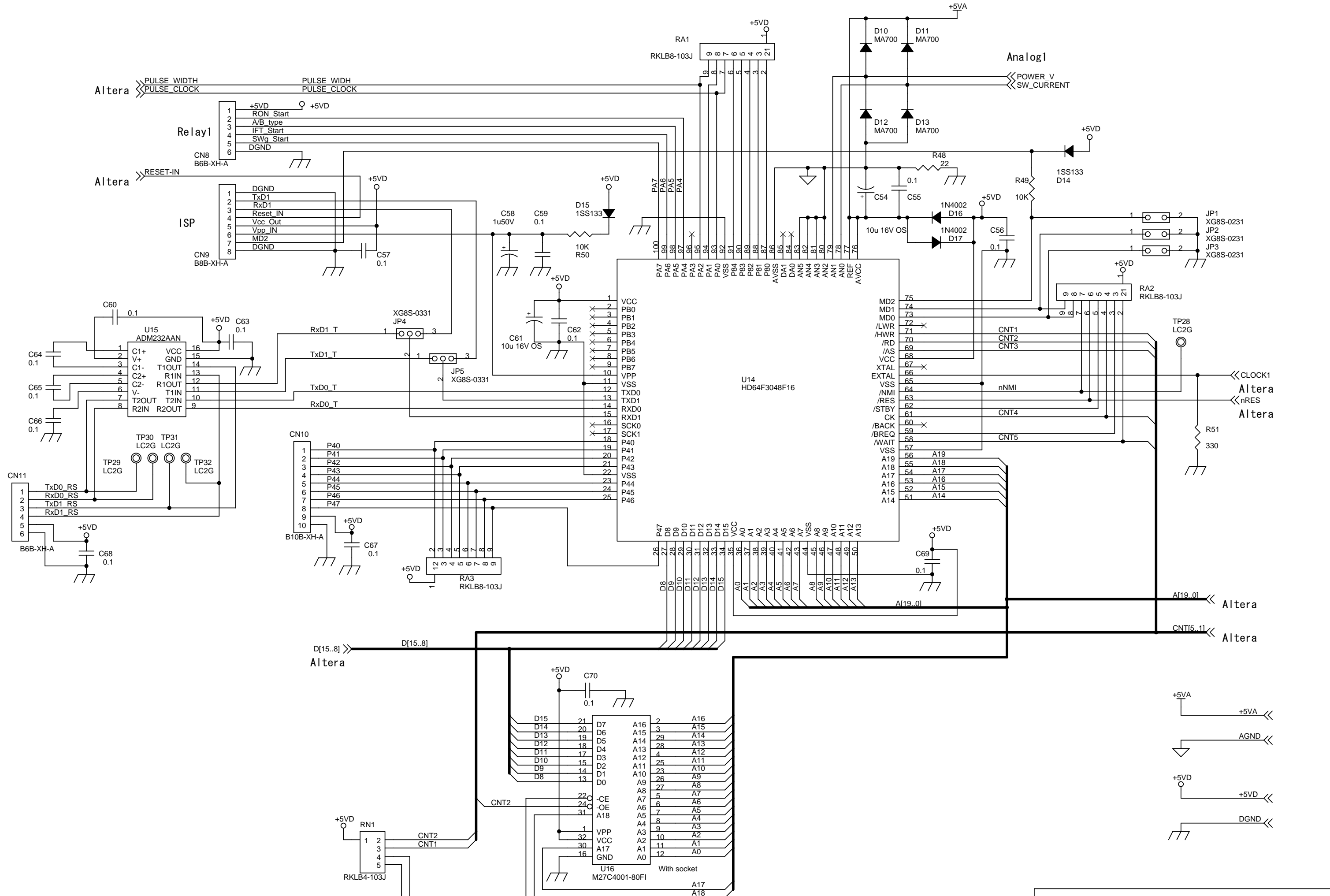
DA3_[5..1] Altera

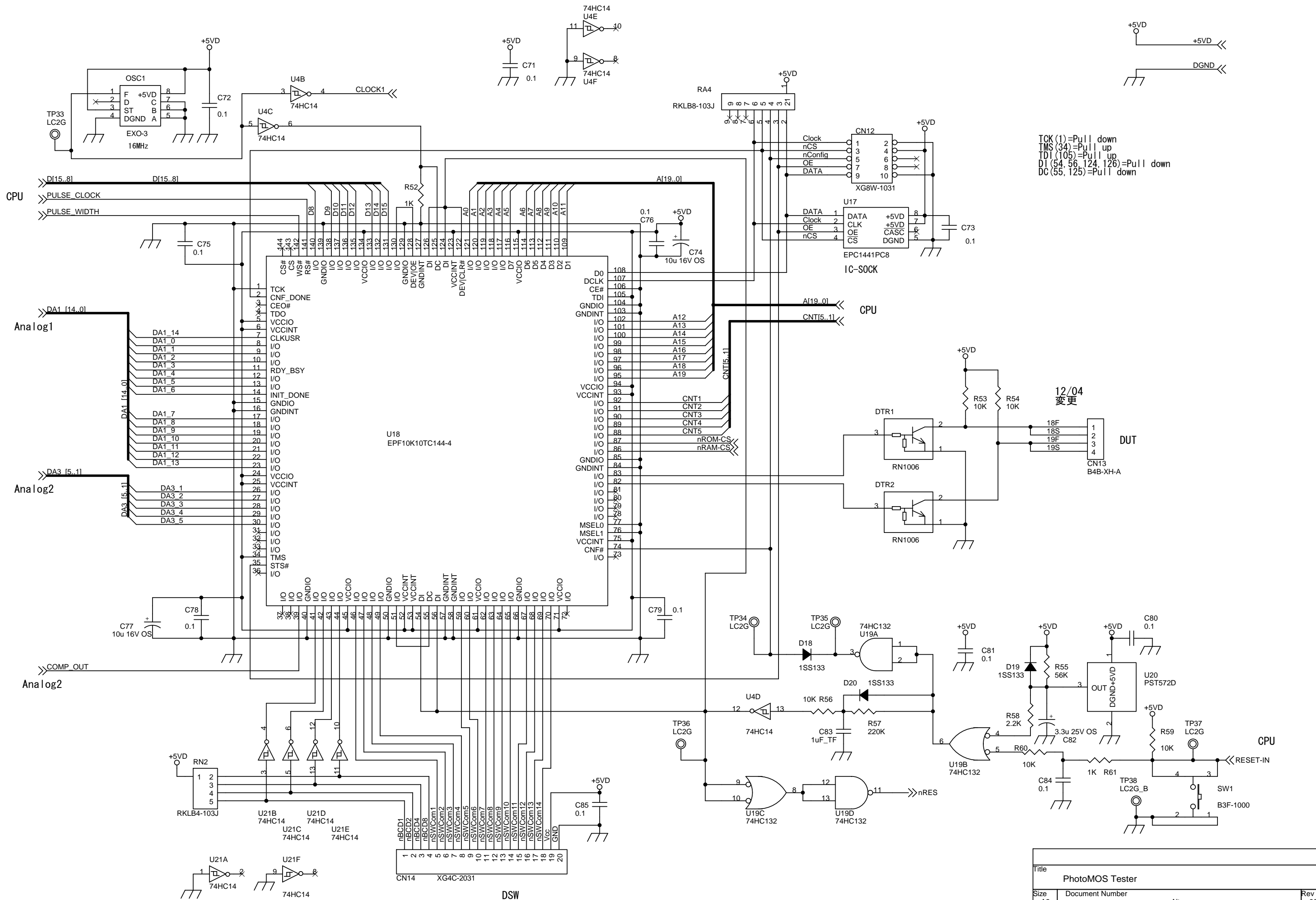


Title			PhotoMOS Tester		
Size	Document Number		Analog2		Rev
A3					004
Date:	Tuesday, December 17, 2019	Sheet	2	of	5



Title		
PhotoMOS Tester		
Size	Document Number	Rev
A4	Power	004
Date:	Tuesday, December 17, 2019	Sheet 3 of 5





TCK (1)=Pull down
TMS (34)=Pull up
TDI (105)=Pull up
DI (54, 56, 124, 126)=Pull down
DC (55, 125)=Pull down

12/04
変更

Title			
PhotoMOS Tester			
Size	Document Number	Altera	Rev
A3			004
Date:	Tuesday, December 17, 2019	Sheet	5 of 5