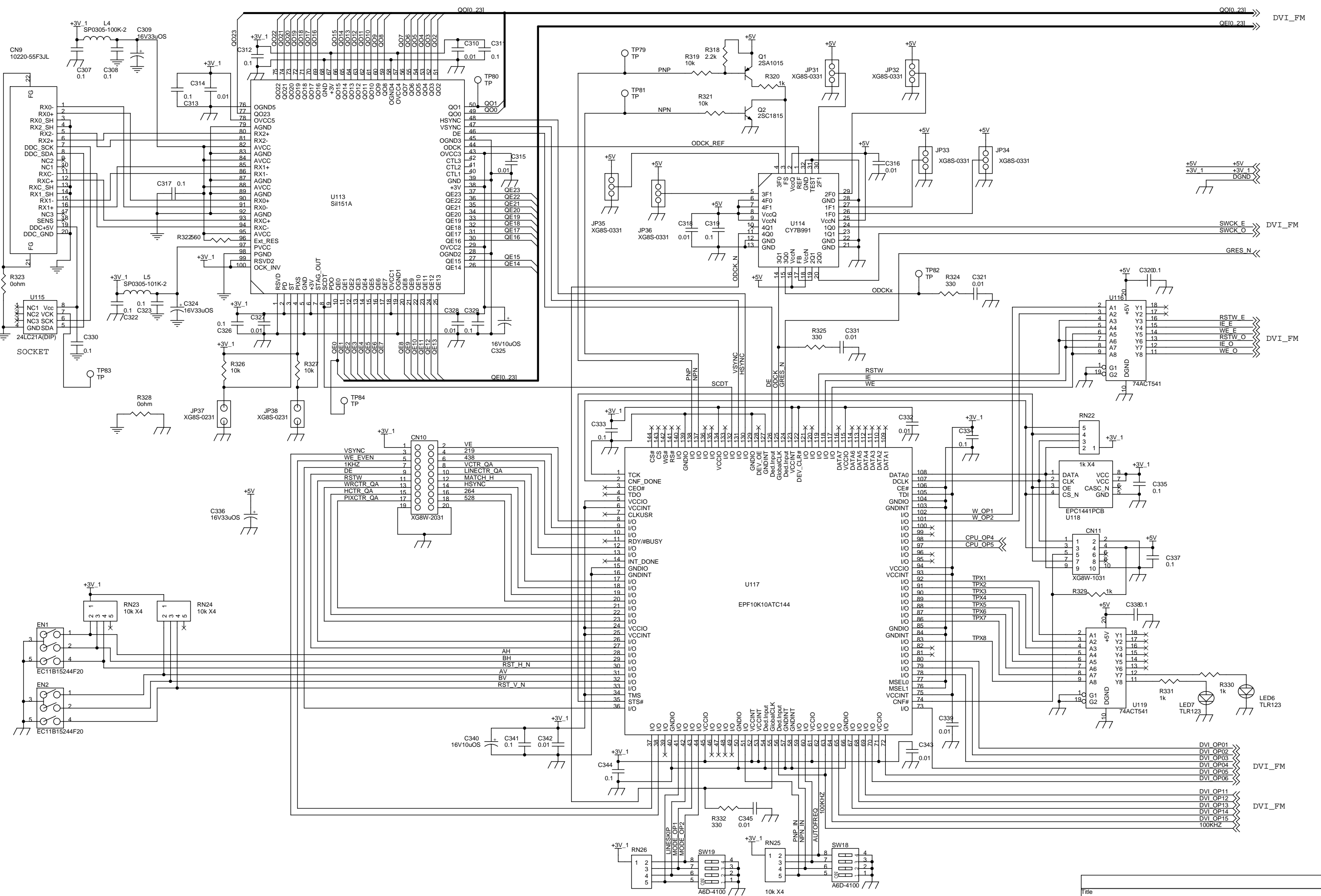
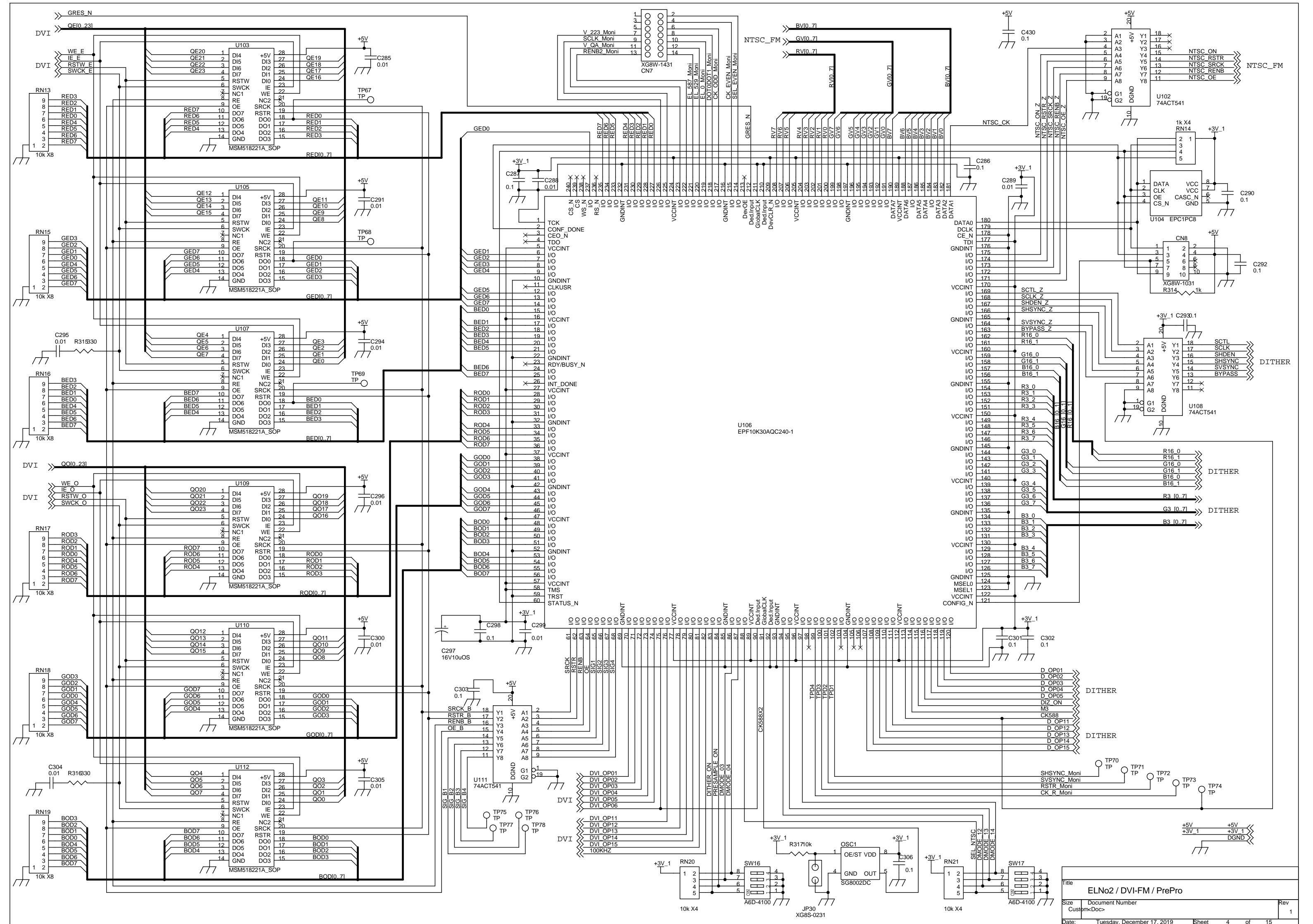
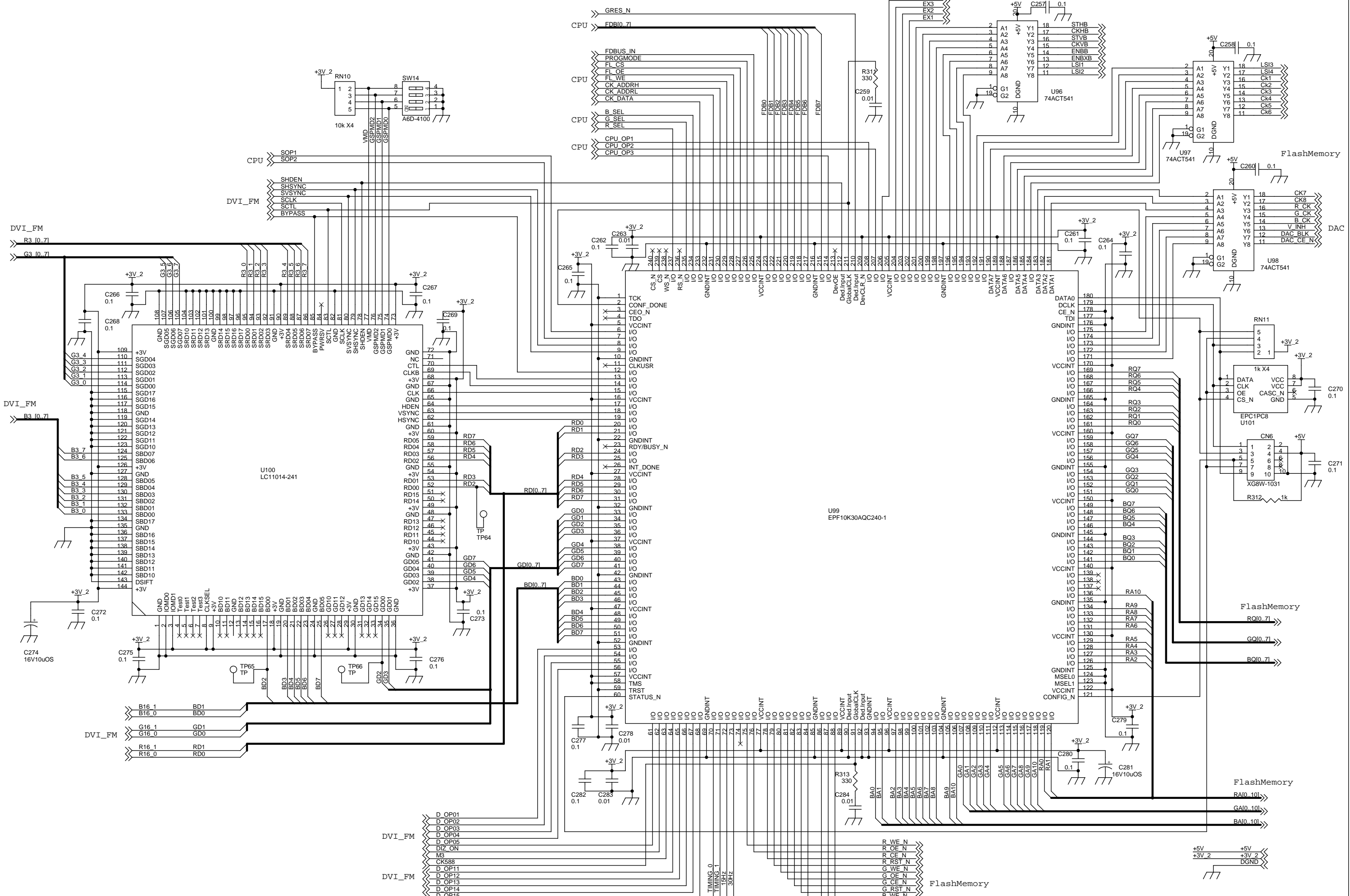


Title		
ELNo2 / NTSC-FM		
Size	Document Number	Rev
A4	<Doc>	
Date:	Tuesday, December 17, 2019	Sheet 2 of 15

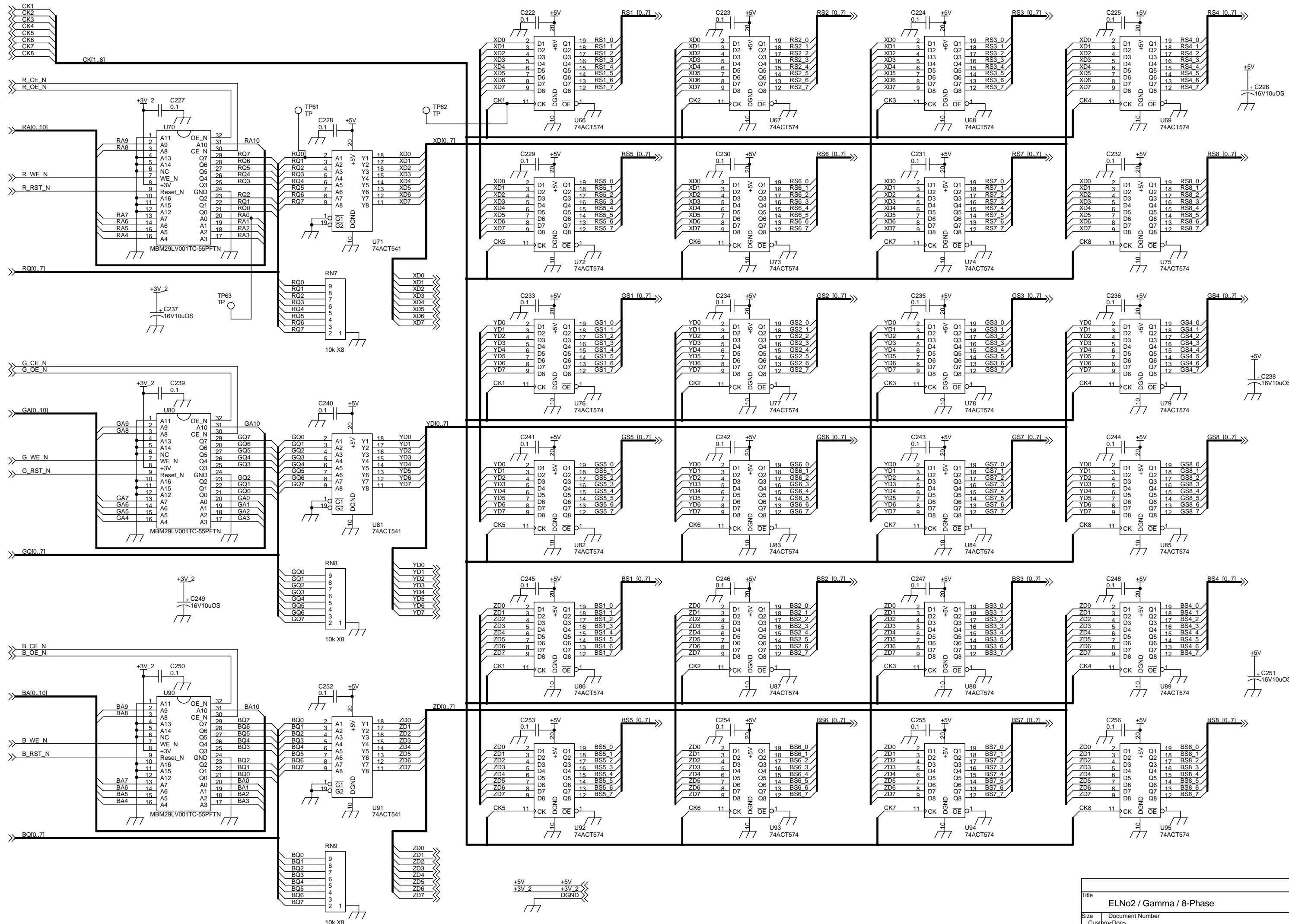


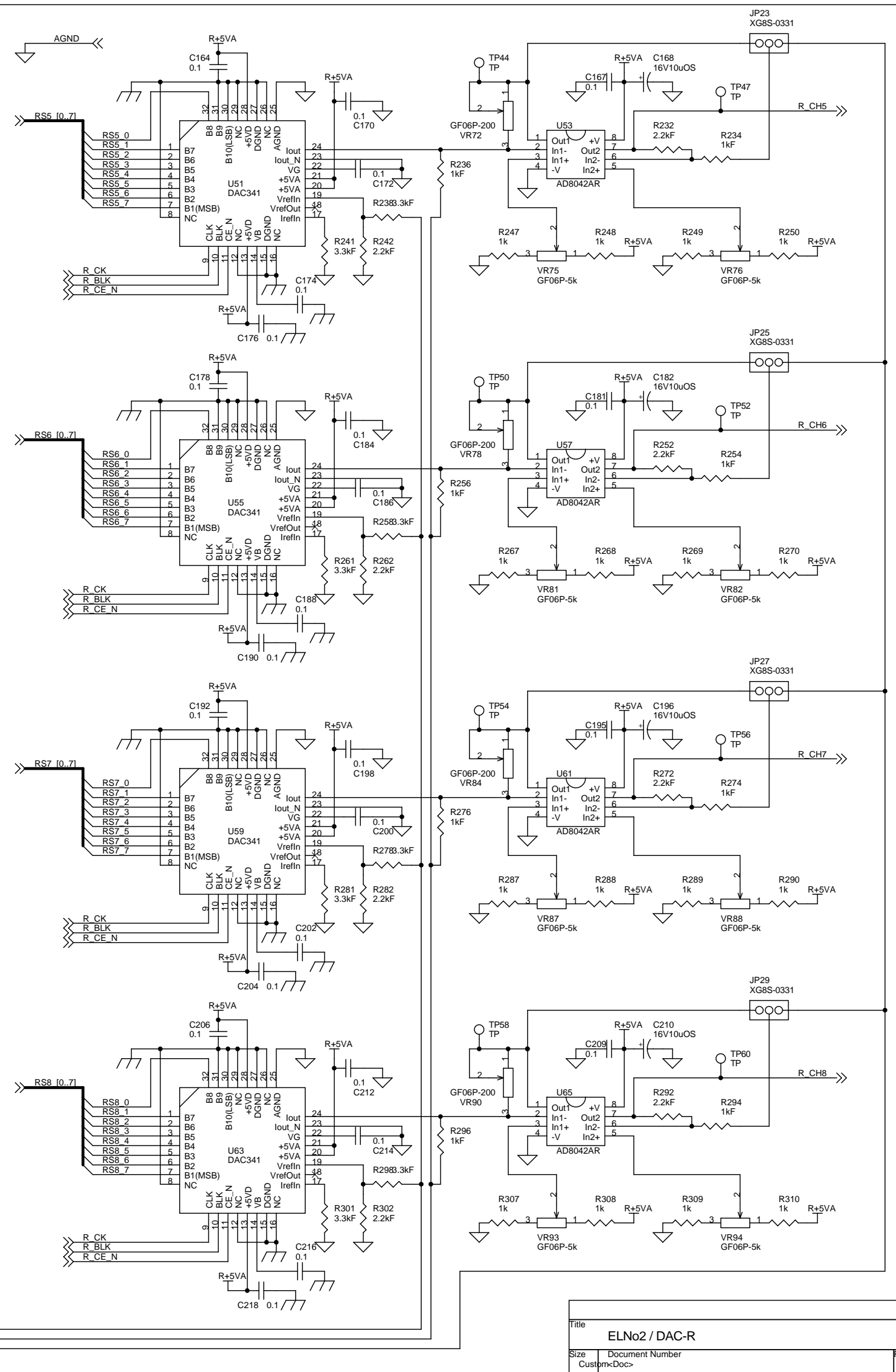
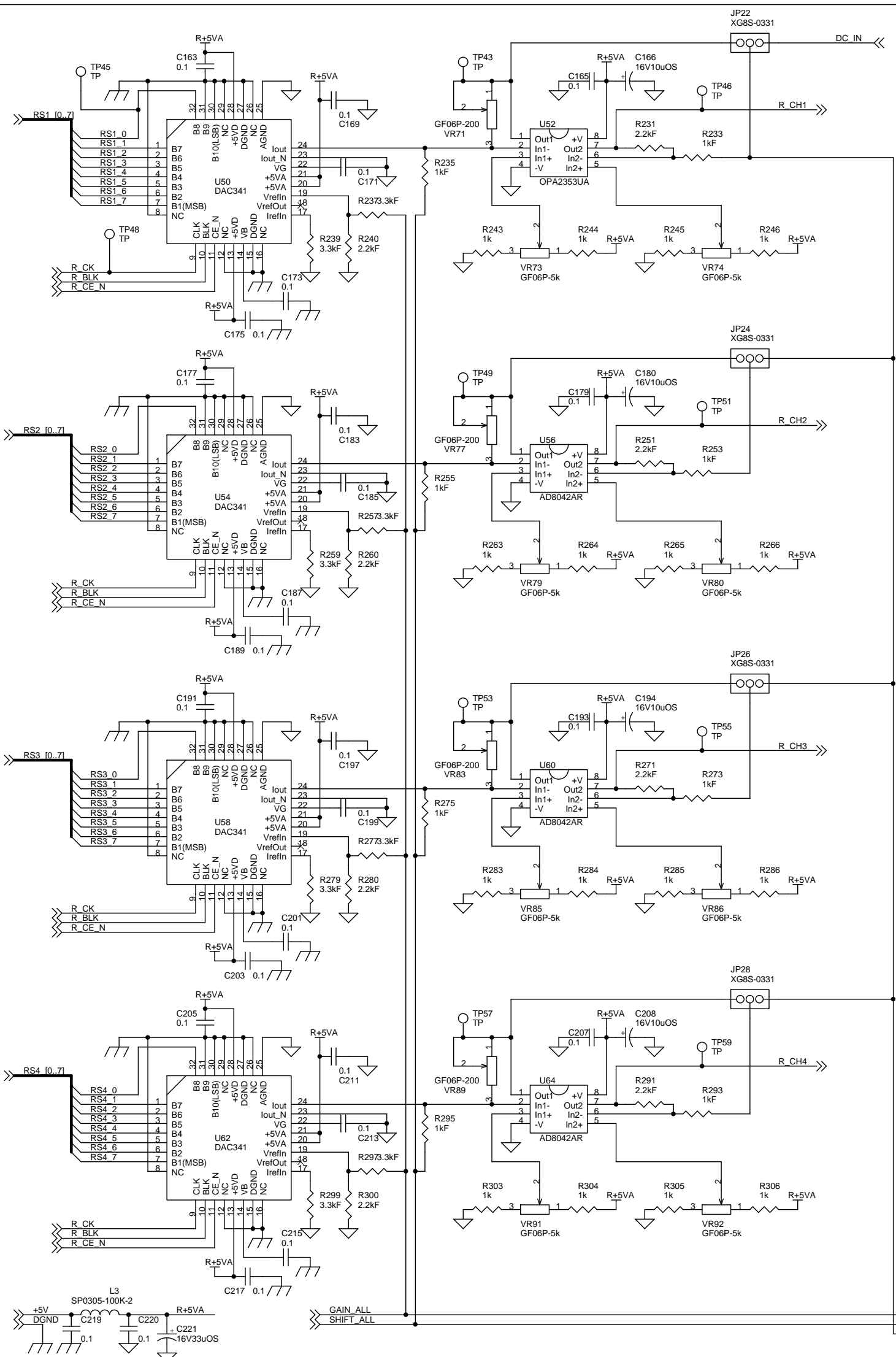
Title		
ELNo2 / DVI		
Size	Document Number	Rev
Customr-Doc>		
Date:	Tuesday, December 17, 2019	Sheet 3 of 15



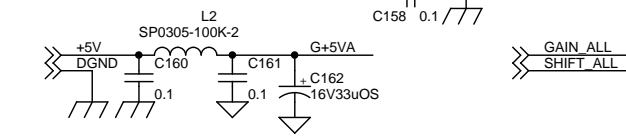
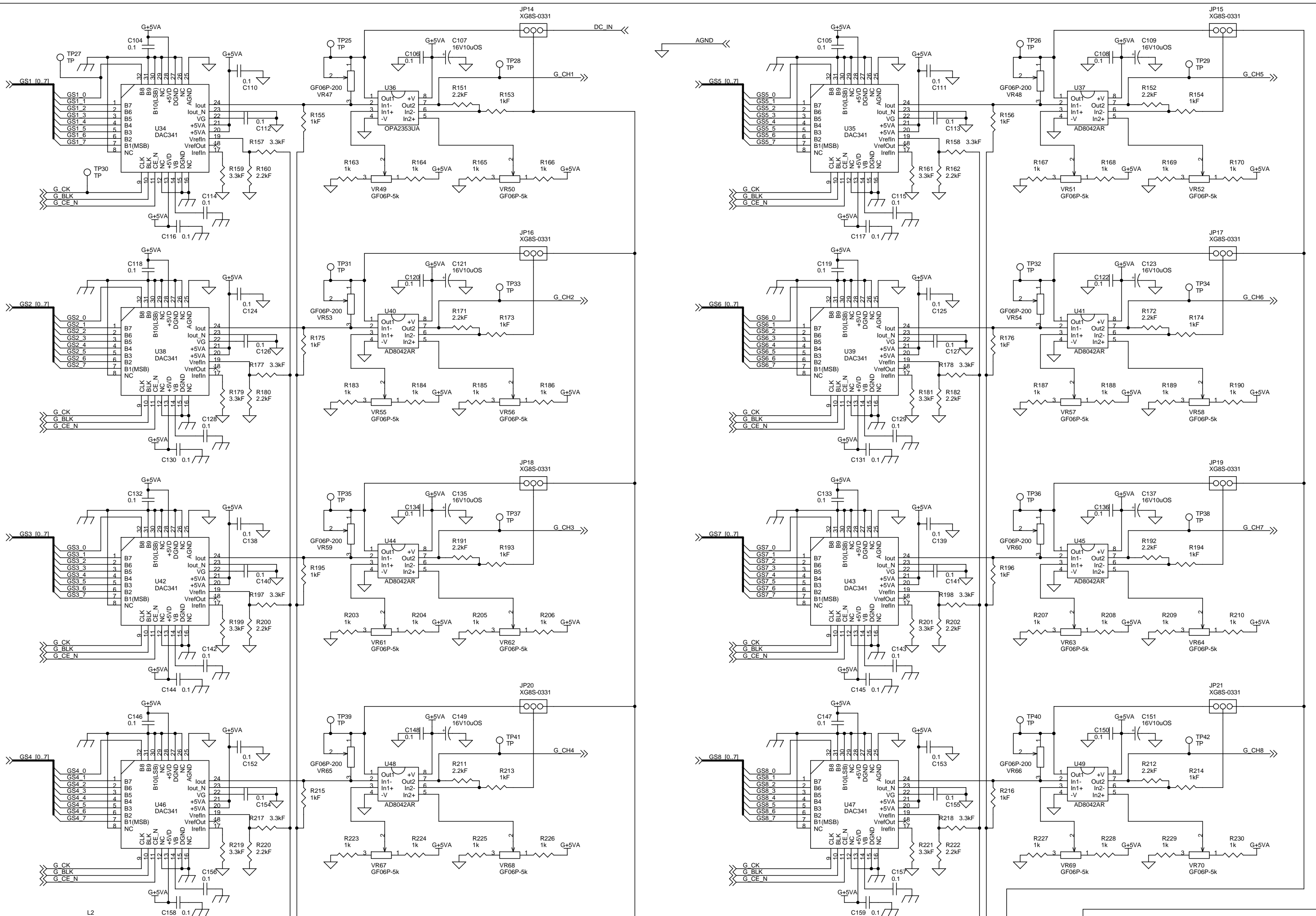


Title		
ELNo2 / Dither / PostPro		
Size	Document Number	Rev
Custom:Doc>		1
Date:	Tuesday, December 17, 2019	Sheet 5 of 15



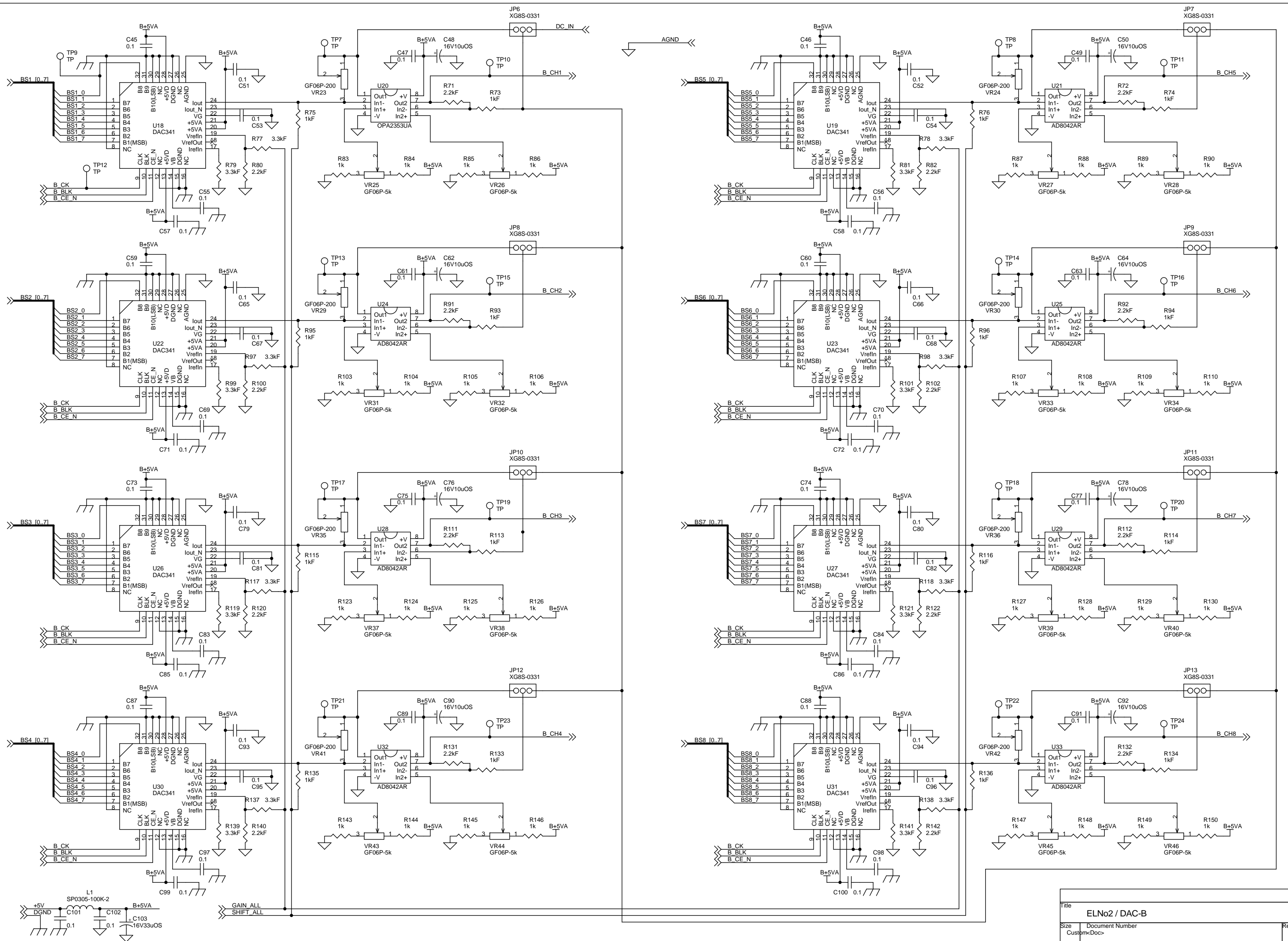


Title	ELNo2 / DAC-R	
Size	Document Number	Rev 1
Customer	Doc	
Date	Tuesday, December 17, 2019	Sheet 7 of 15

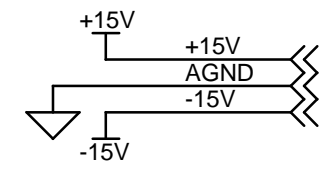
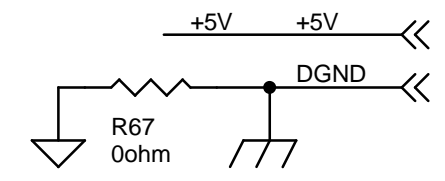
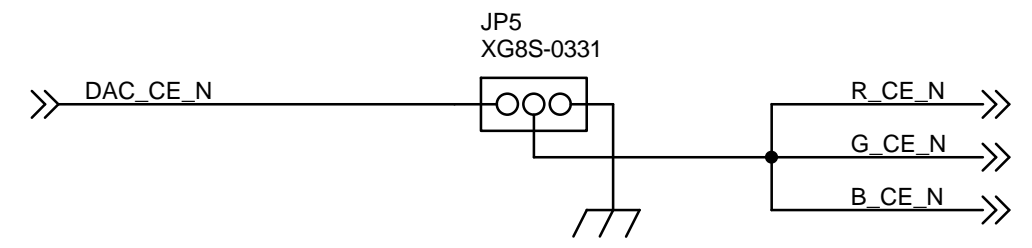
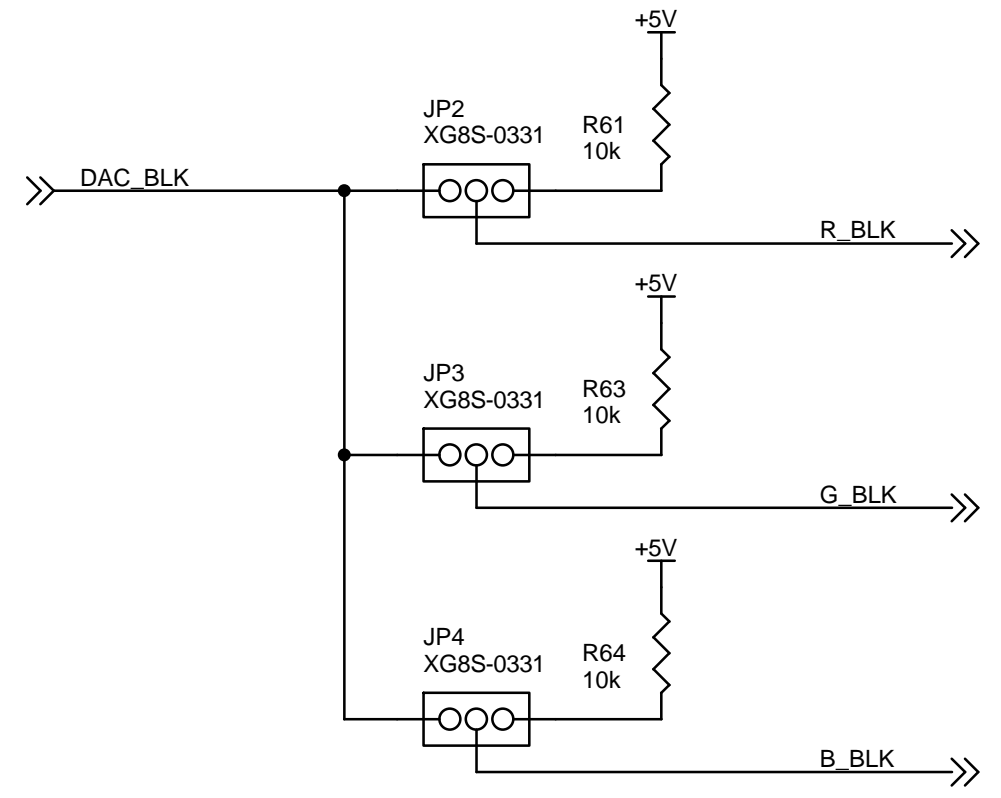
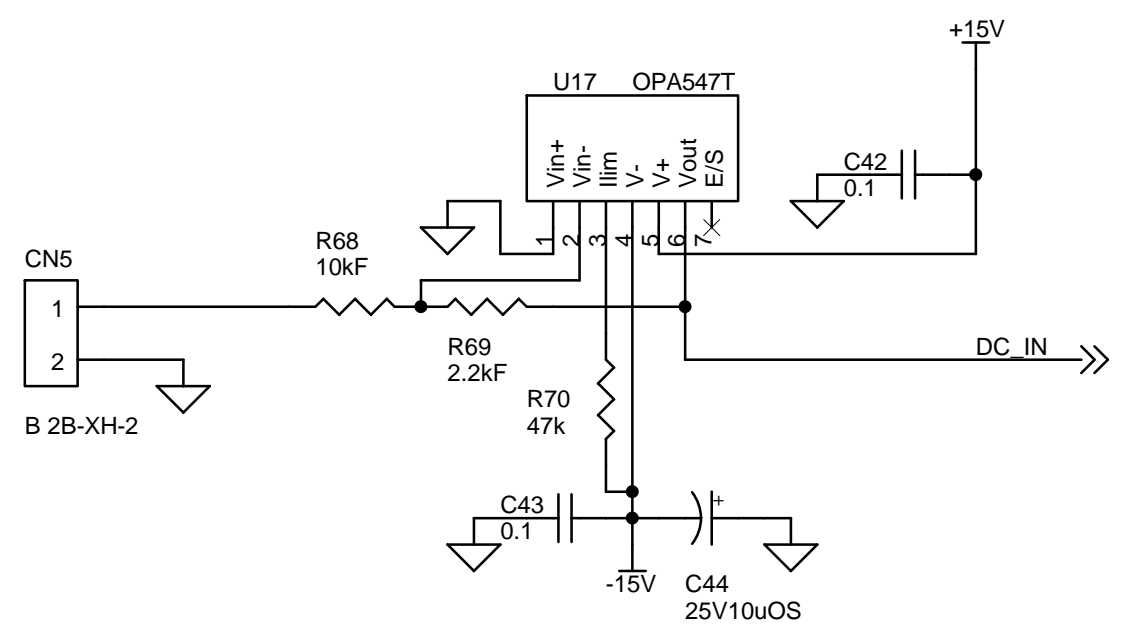
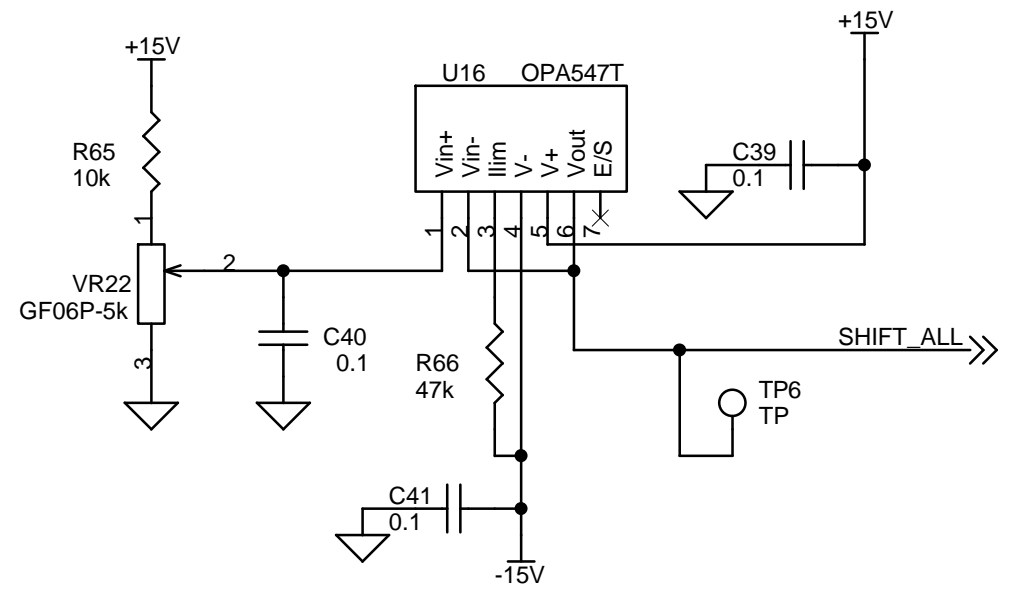
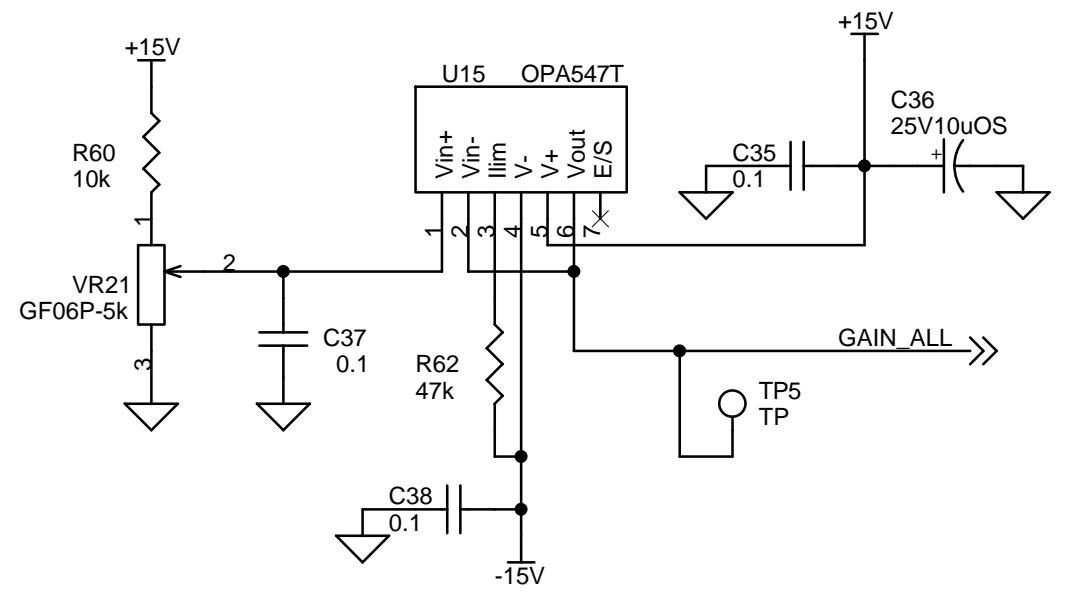


Title	ELNo2 / DAC-G	
Size	Document Number	Rev 1
Date:	Tuesday, December 17, 2019	Sheet 8 of 15

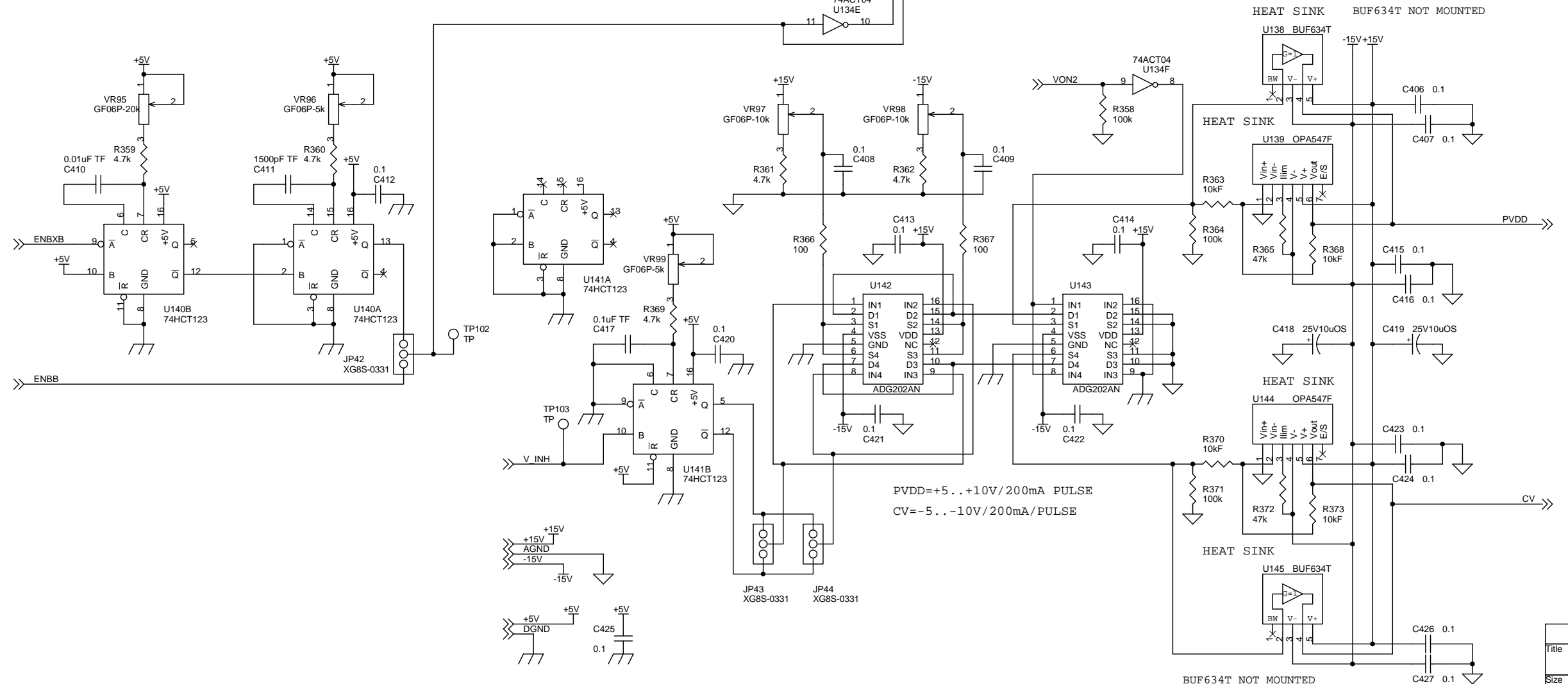
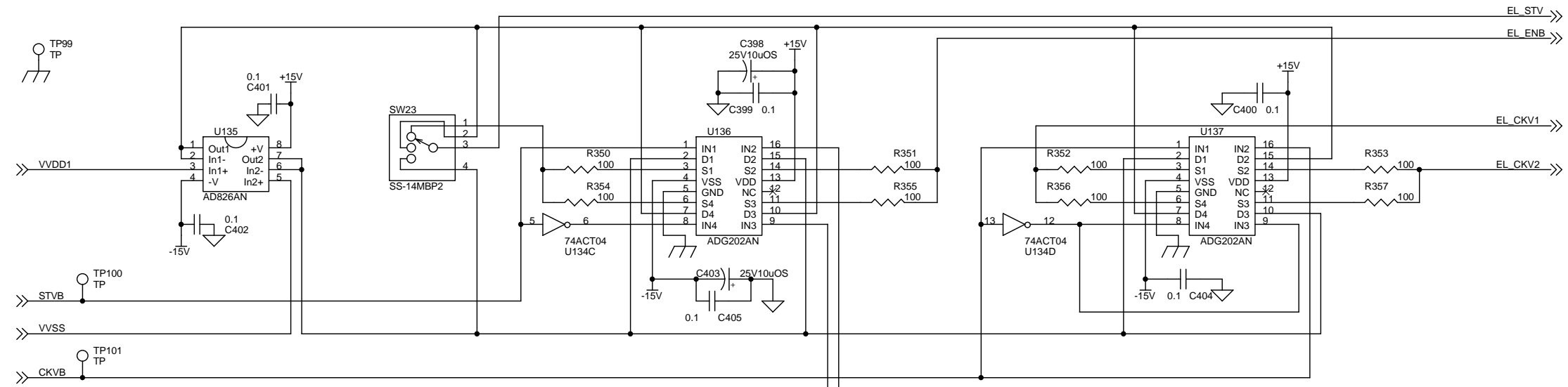
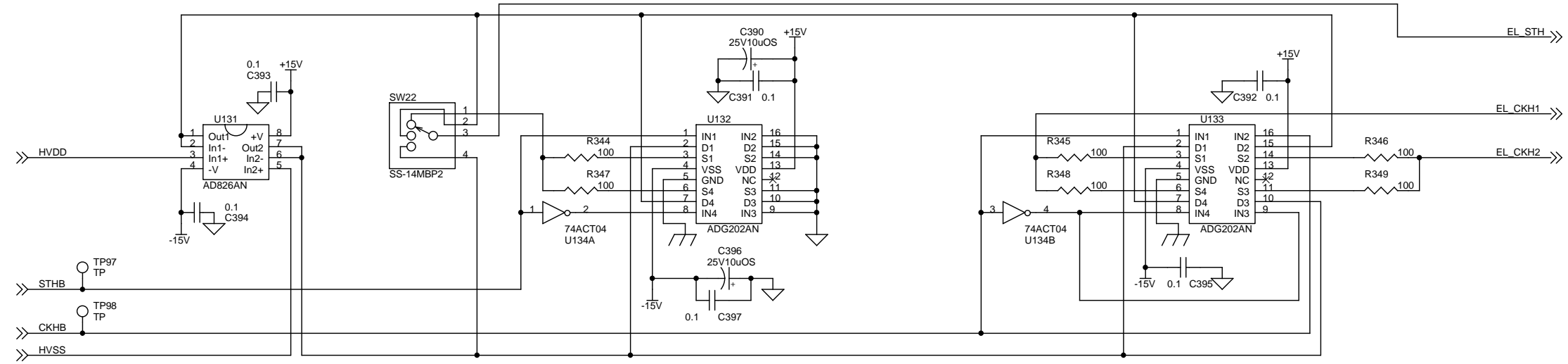




Title		
ELNo2 / DAC-B		
Size	Document Number	Rev
Customr<Doc>		1
Date:	Tuesday, December 17, 2019	Sheet 9 of 15

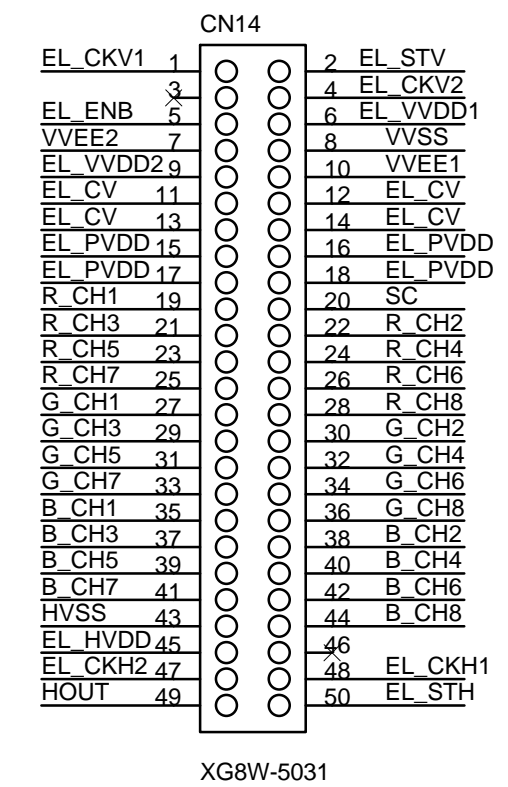
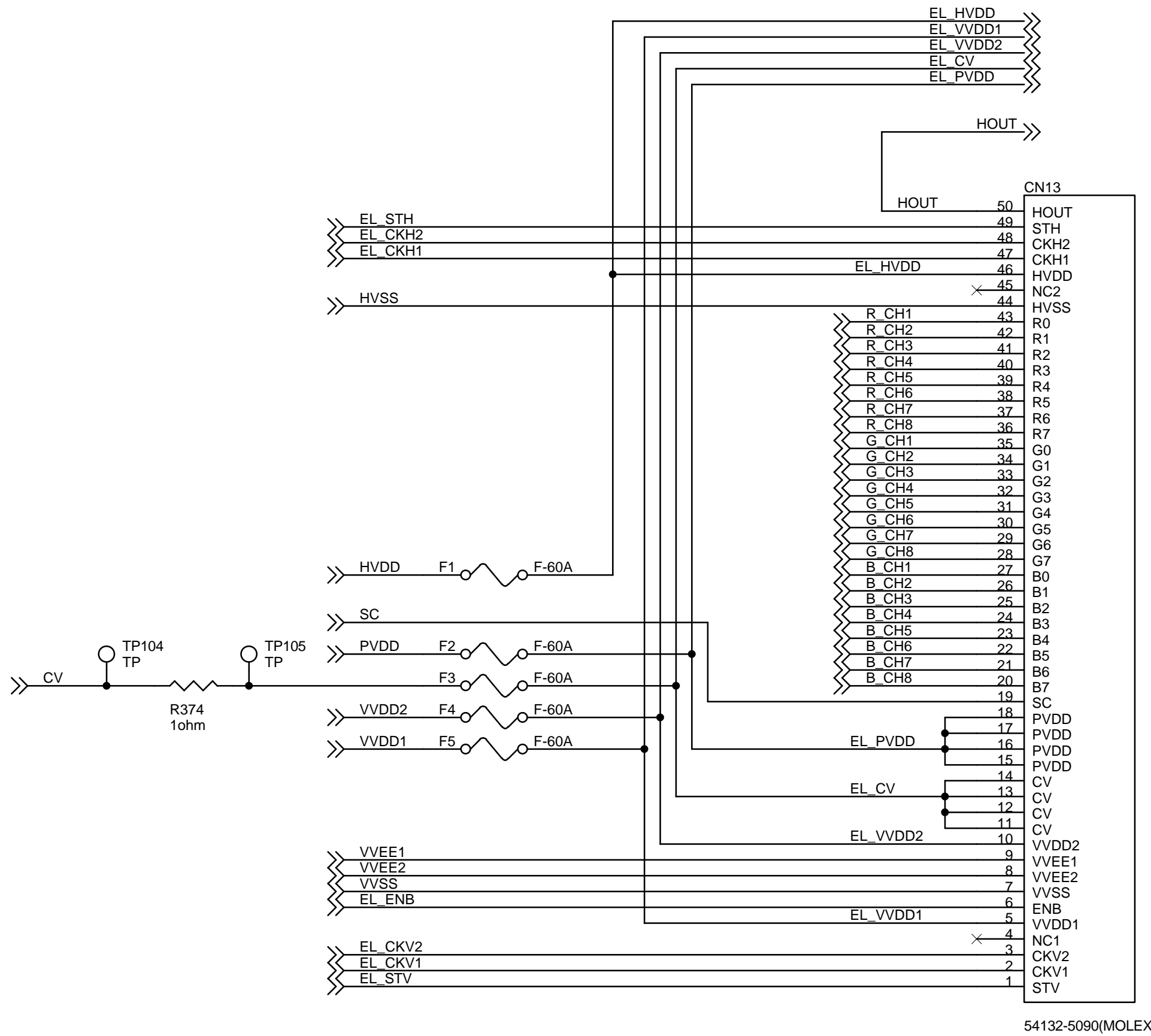


Title		
ELNo2 / DAC Common		
Size	Document Number	Rev
A4	<Doc>	
Date:	Tuesday, December 17, 2019	Sheet 10 of 15



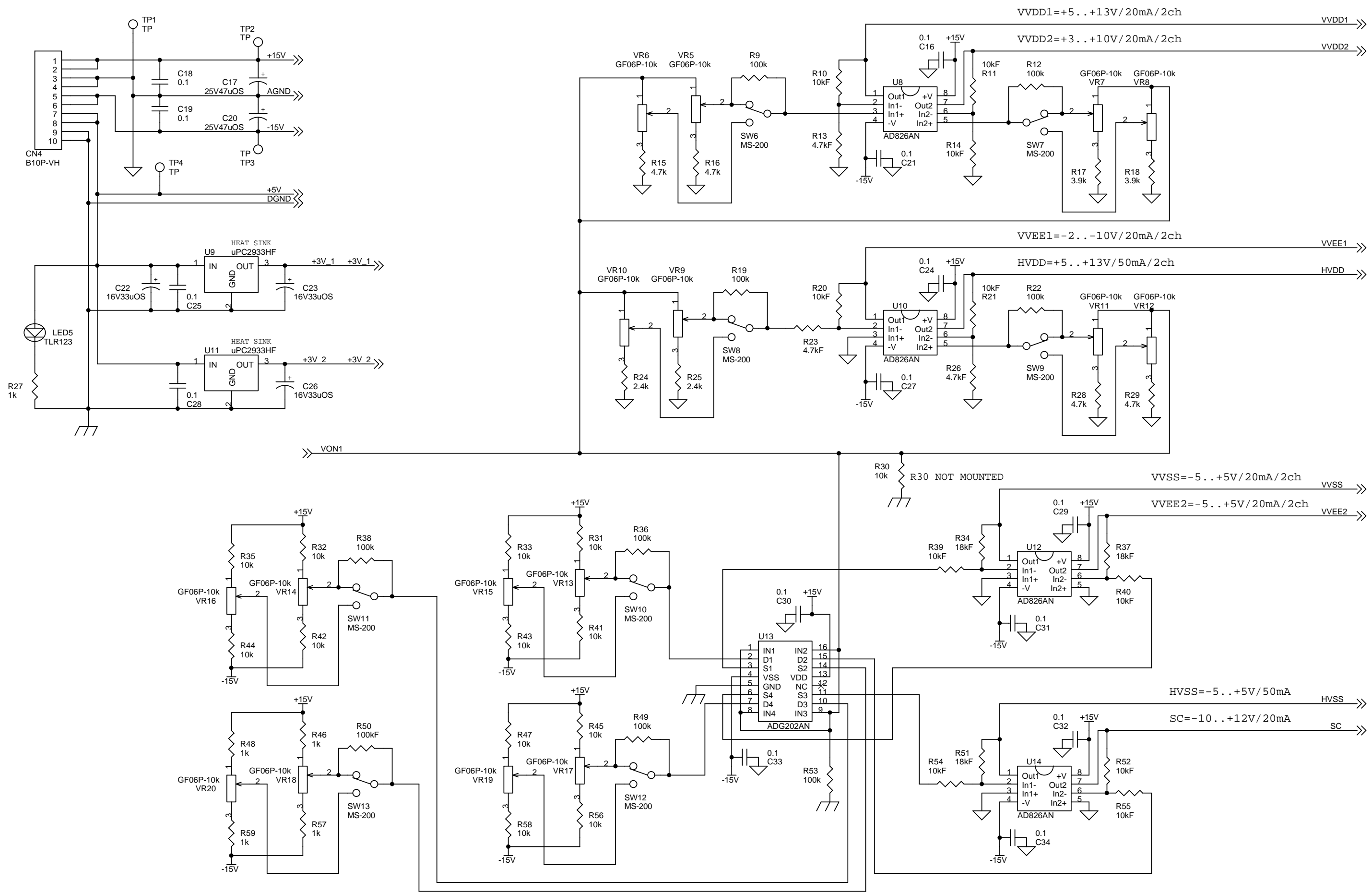
PVDD=+5...+10V/200mA PULSE  
 CV=-5...-10V/200mA/PULSE

Title		ELNo2 / EL Driver
Size	Document Number	Rev
Date:	Tuesday, December 17, 2019	Sheet 11 of 15

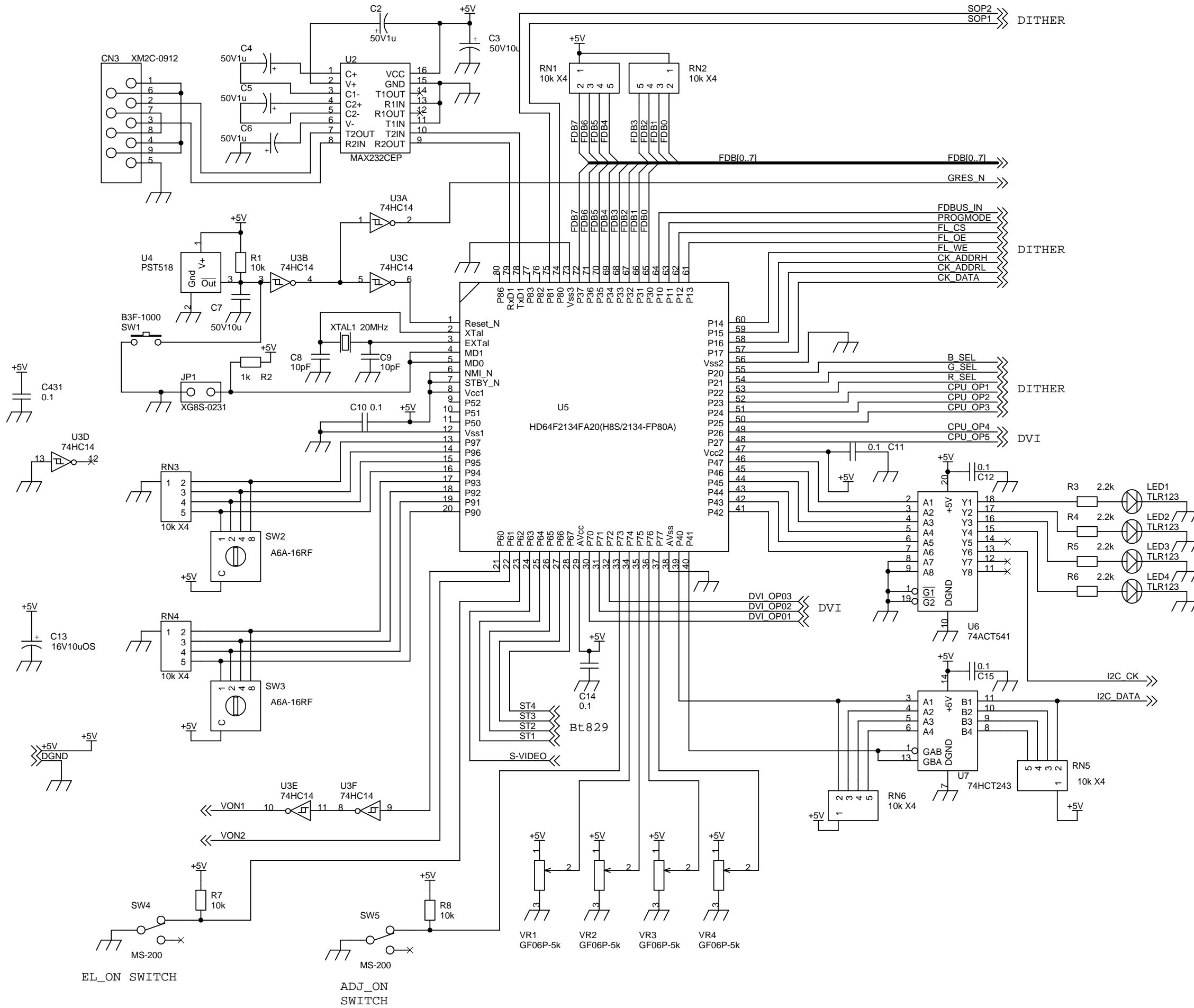


54132-5090(MOLEX)

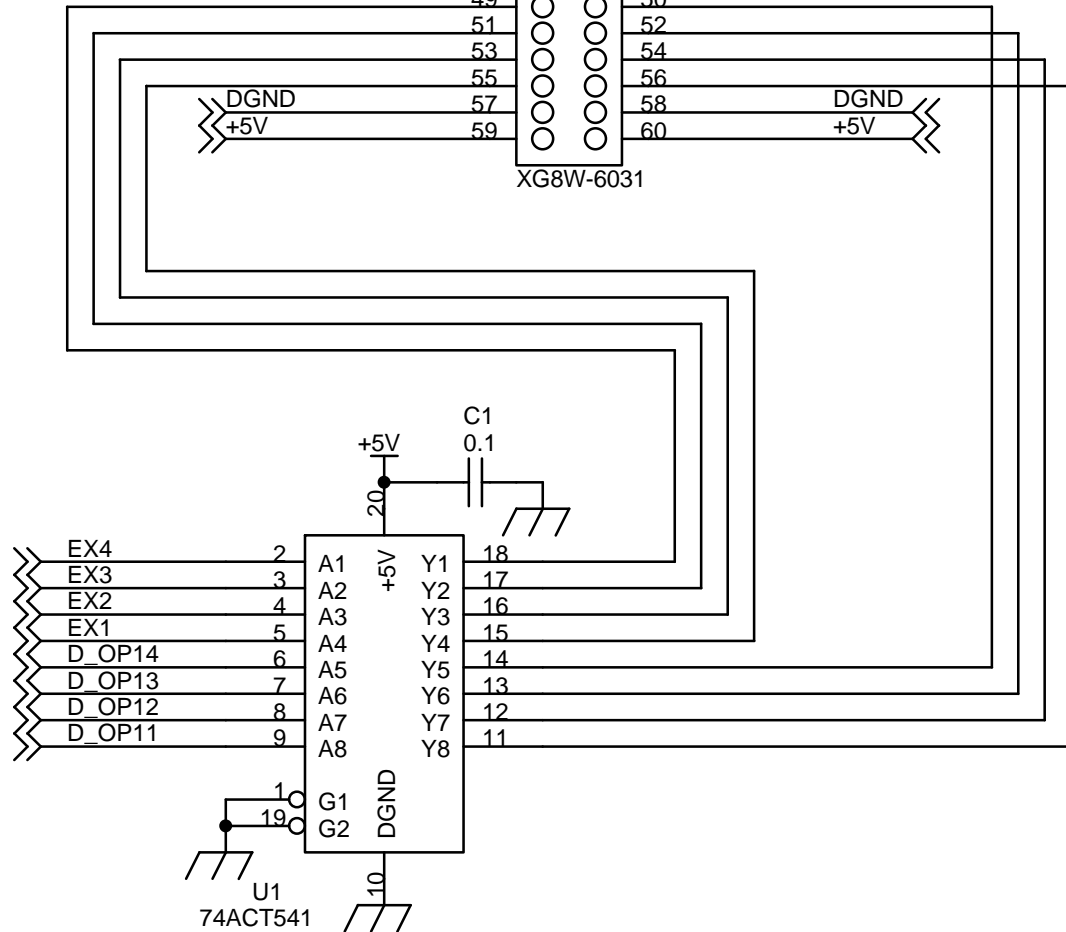
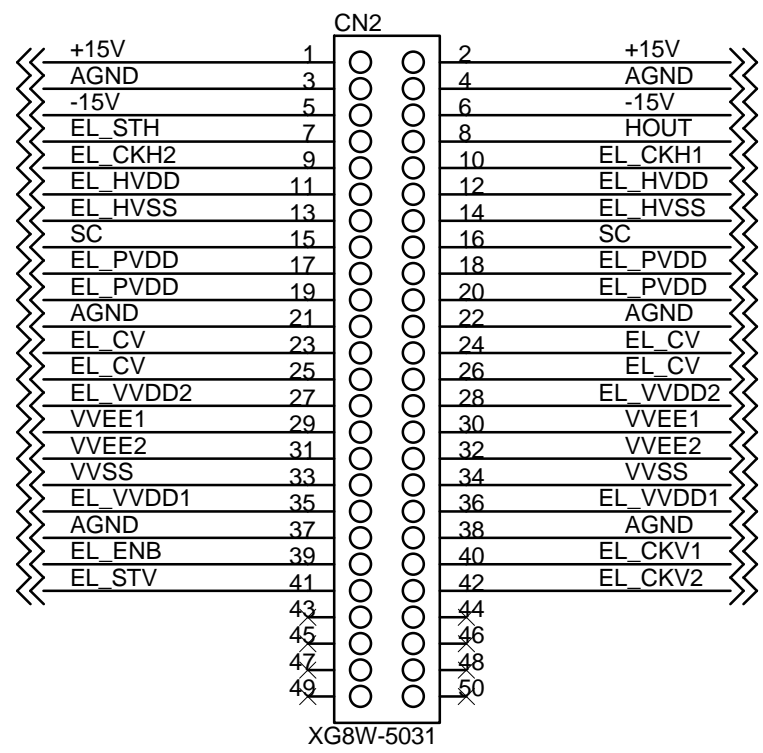
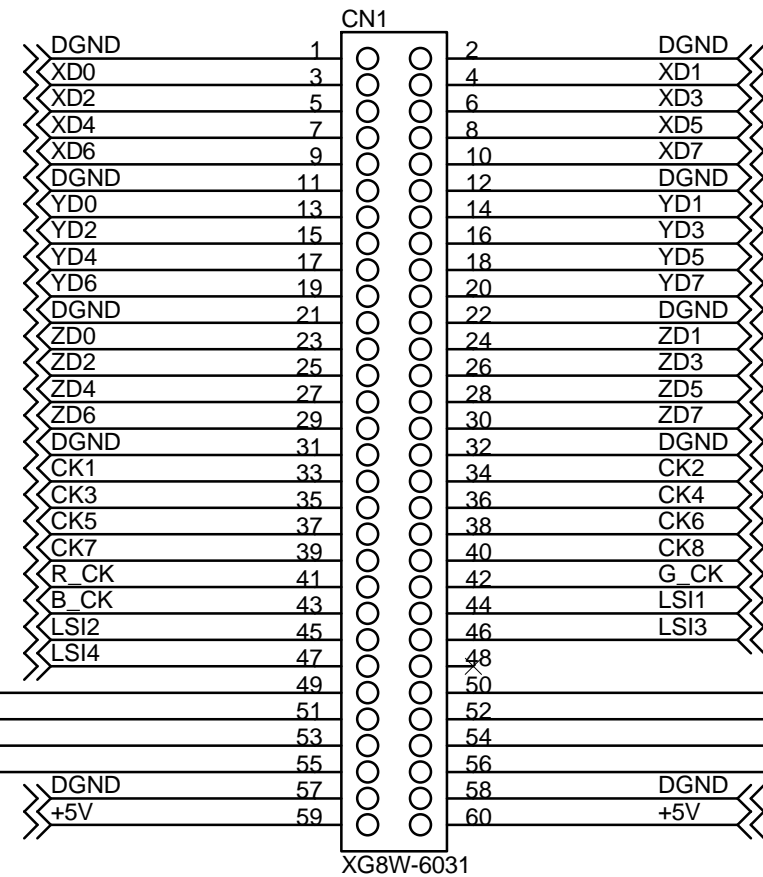
Title		
ELNo2 / EL Connector		
Size	Document Number	Rev
A4	<Doc>	1
Date:	Tuesday, December 17, 2019	Sheet 12 of 15



Title		
ELN02 / POWER		
Size	Document Number	Rev
A3	<Doc>	
Date:	Tuesday, December 17, 2019	Sheet 13 of 15



Title		
ELN02 / CPU		
Size	Document Number	Rev
A3	<Doc>	1
Date:	Tuesday, December 17, 2019	Sheet 14 of 15



Title		
ELNo2 / LSI IF		
Size	Document Number	Rev
A4	<Doc>	
Date:	Tuesday, December 17, 2019	Sheet 15 of 15