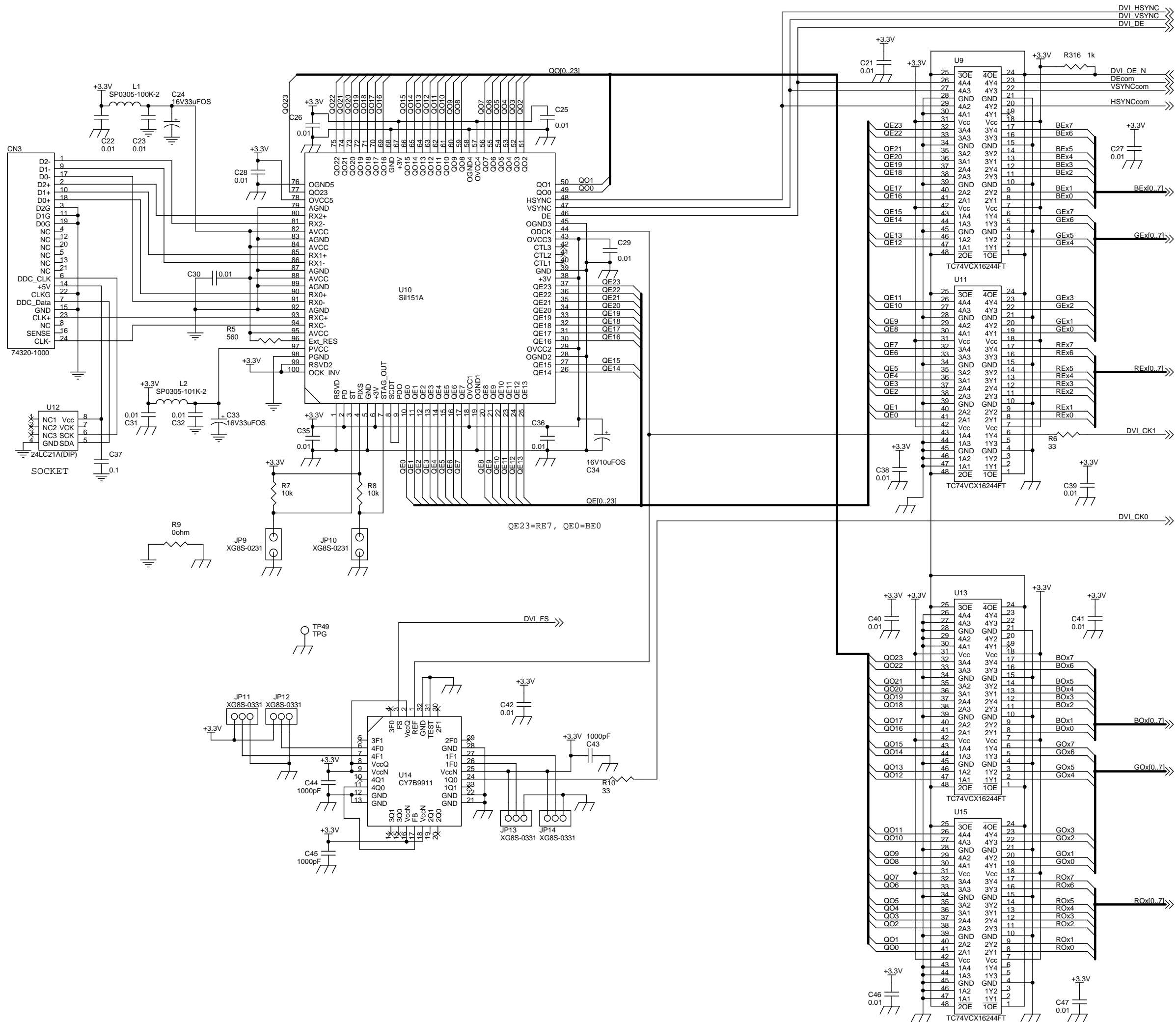
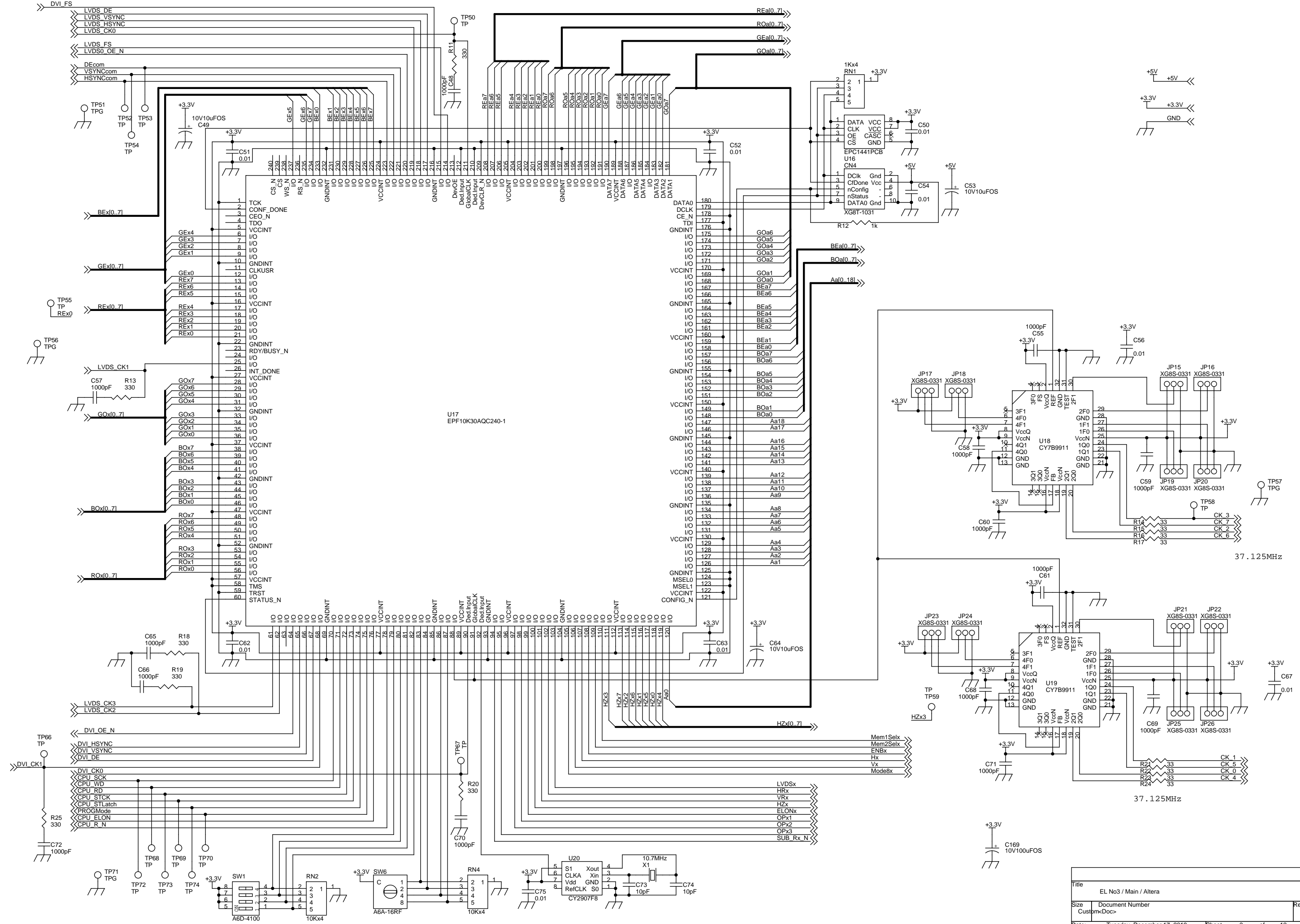
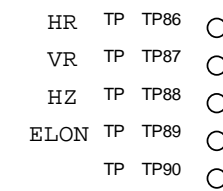
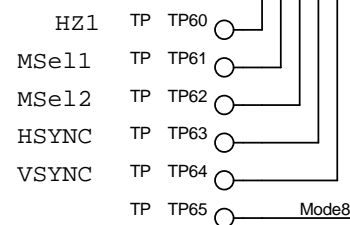
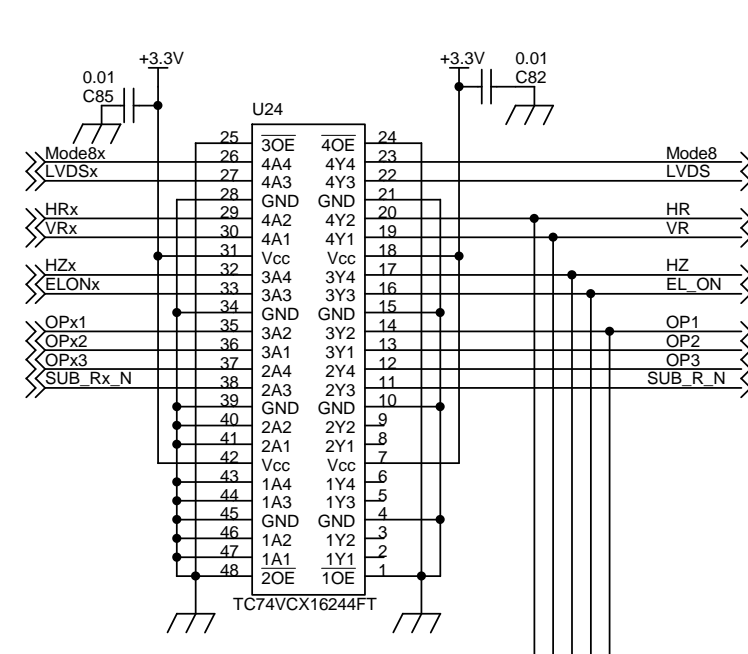
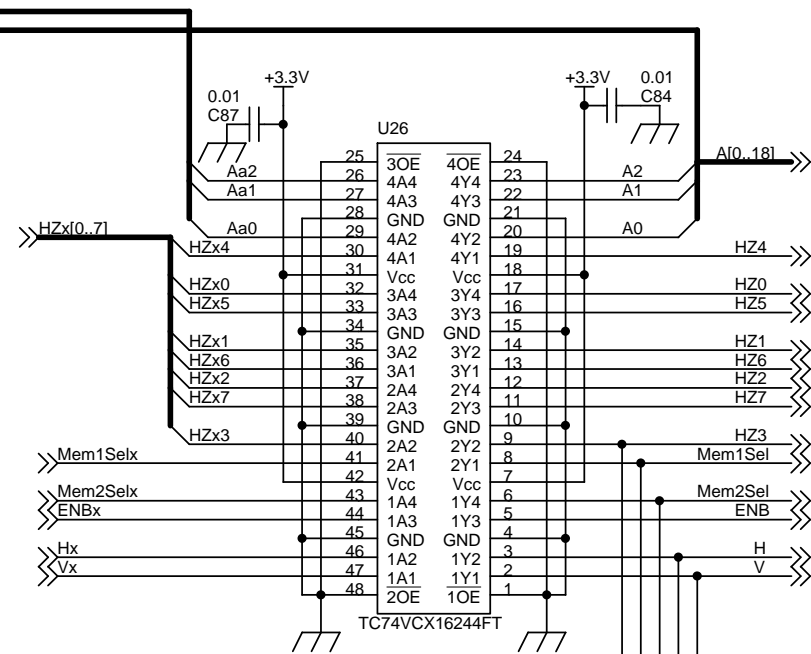
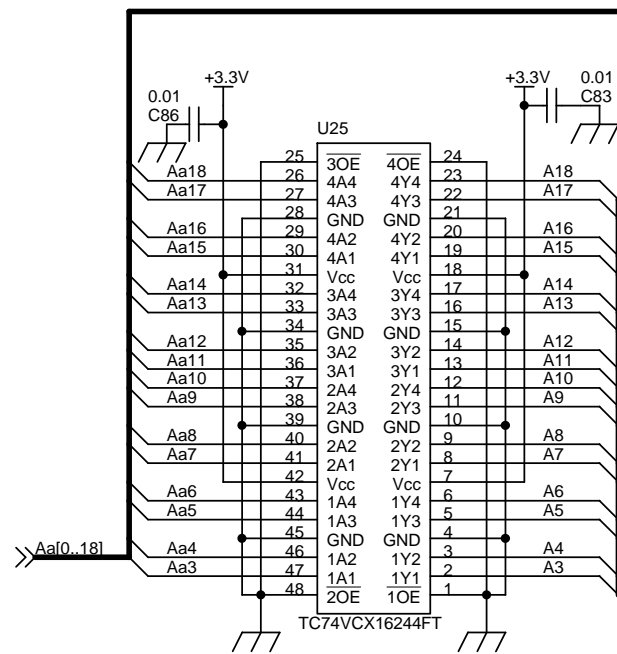
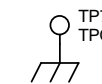
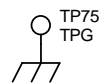
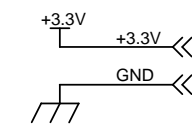
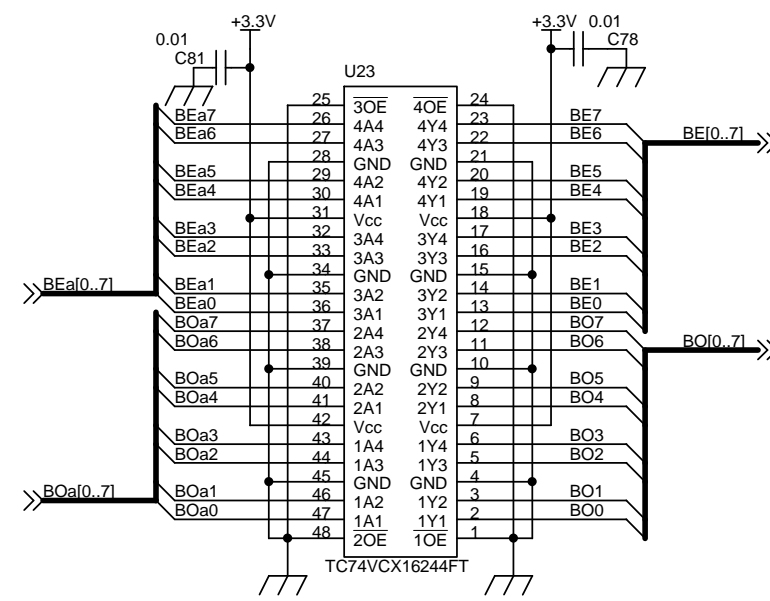
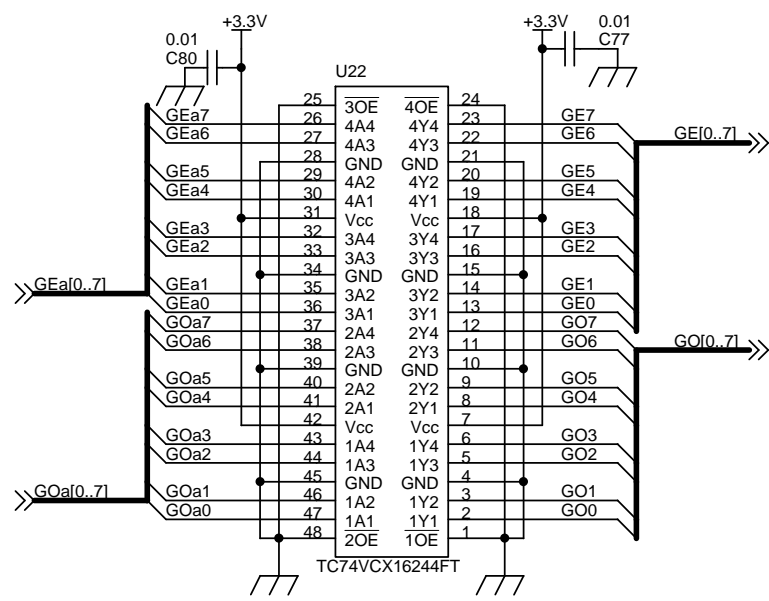
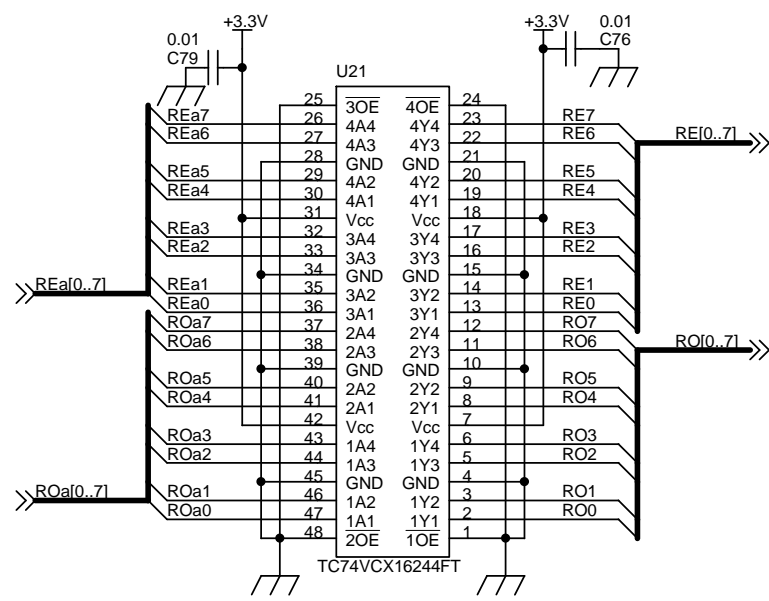


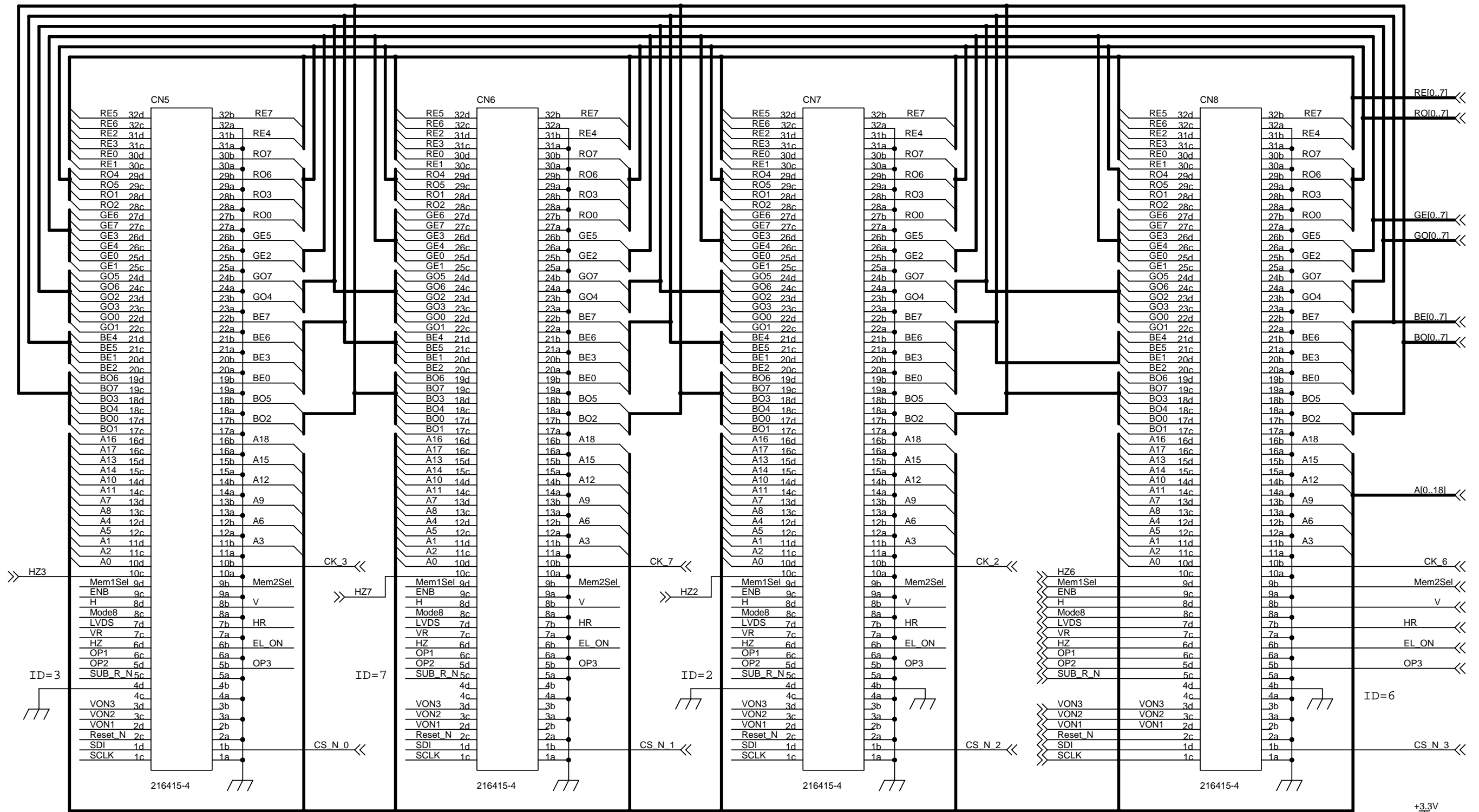
Title EL No3 / Main / LVDS		
Size Custom<Doc>	Document Number	Rev 1
Date: Tuesday, December 17, 2019	Sheet 1	of 12



Title EL No3 / Main / DVI		
Size Custom<Doc>	Document Number	Rev 1
Date: Tuesday, December 17, 2019	Sheet 2	of 12

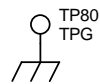
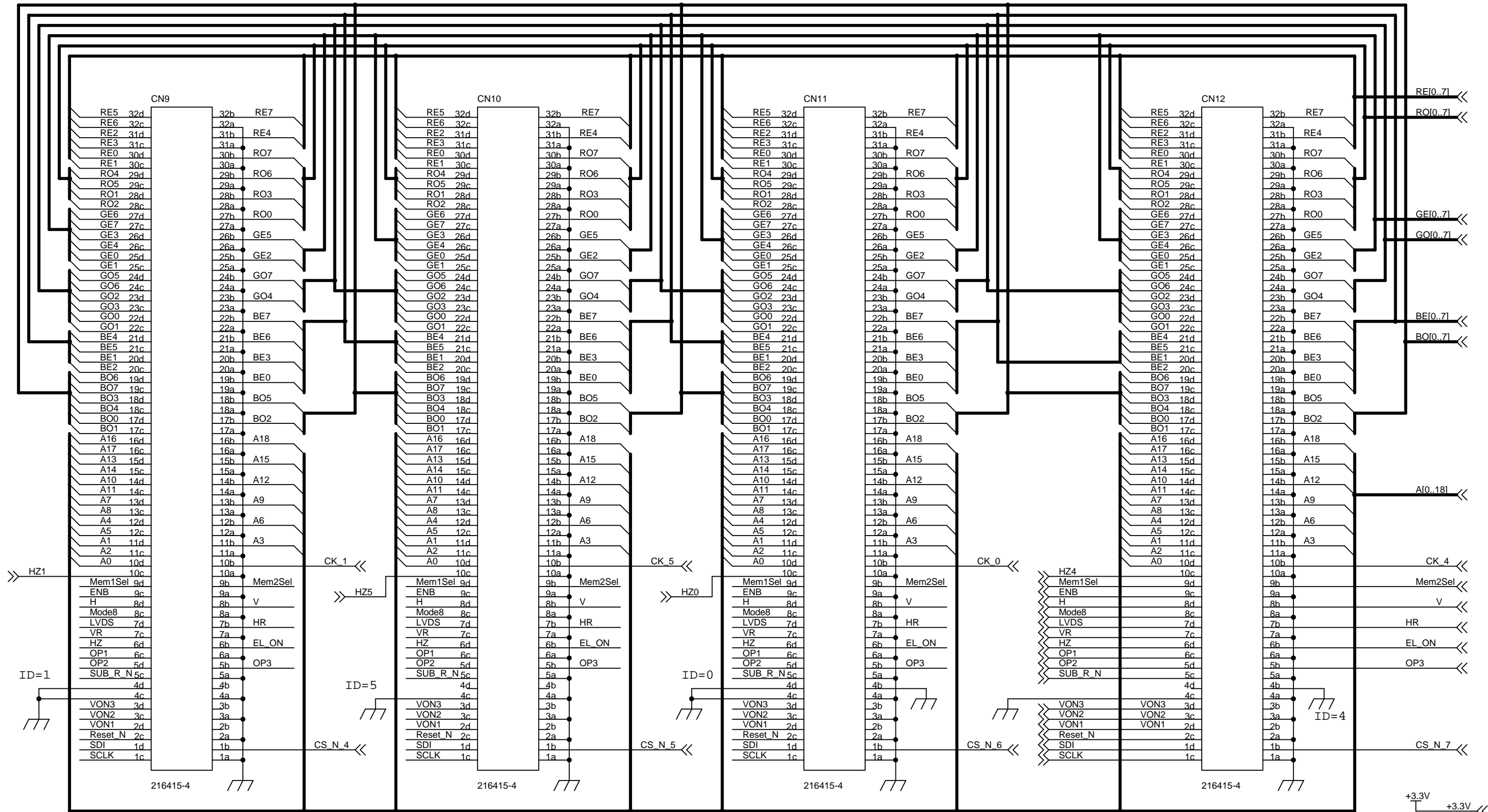






TP77 TPG
4b=ID0, 4c=ID1, 4d=ID2

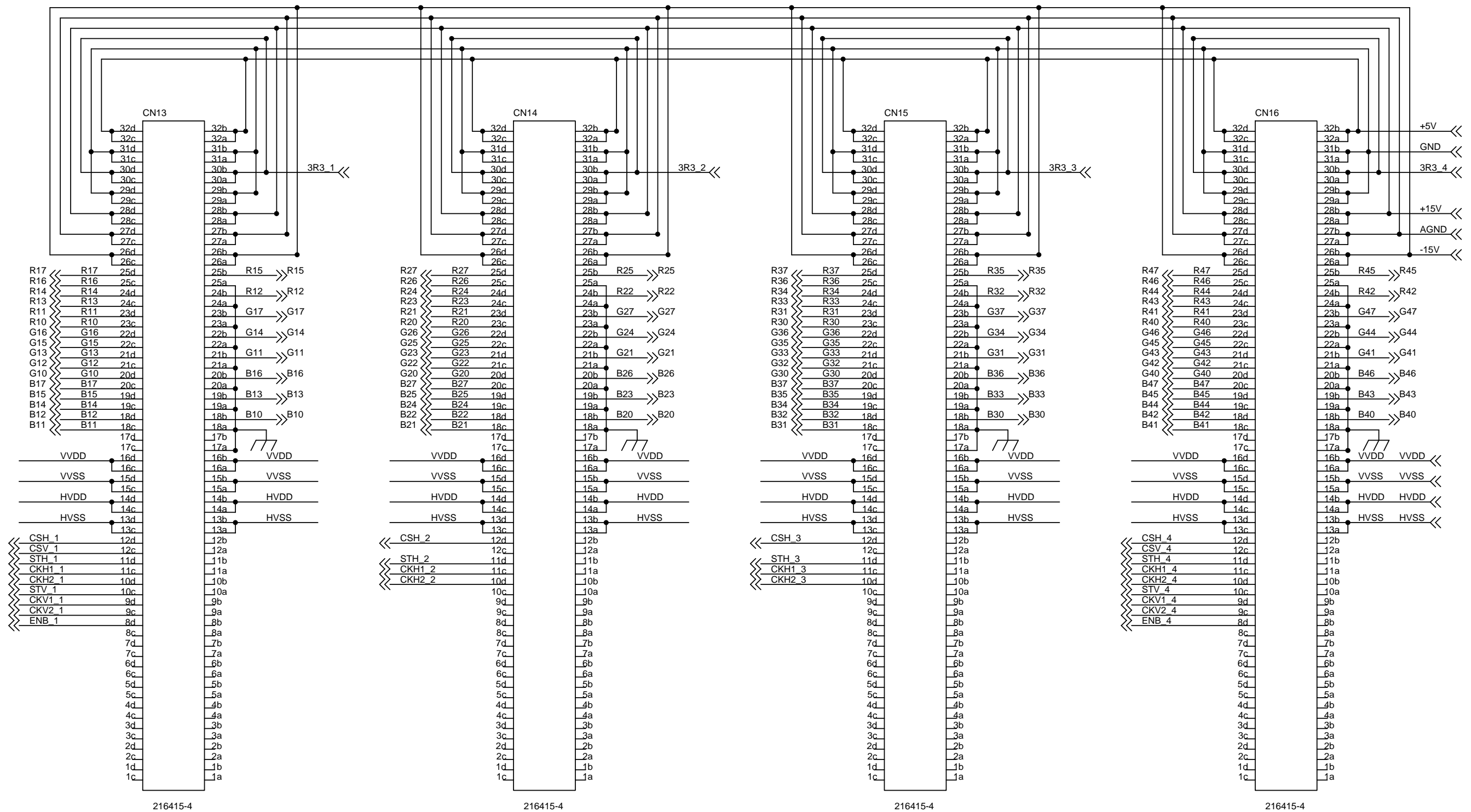
TP78 TPG
+3.3V
GND



4b=ID0, 4c=ID1, 4d=ID2



Title		
EL No3 / Main / CN1b		
Size	Document Number	Rev
A3	<Doc>	1
Date:	Tuesday, December 17, 2019	Sheet 6 of 12

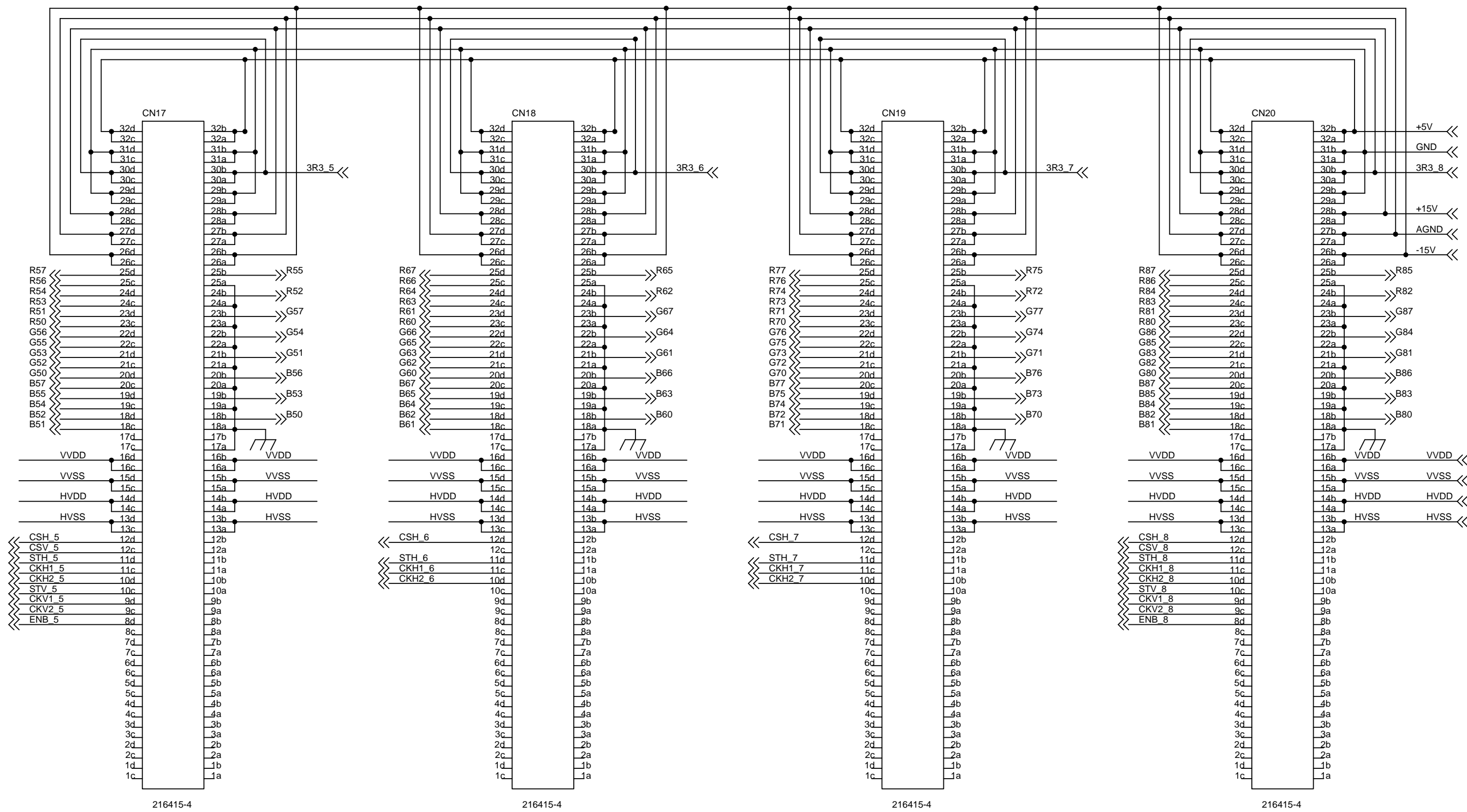


216415-4

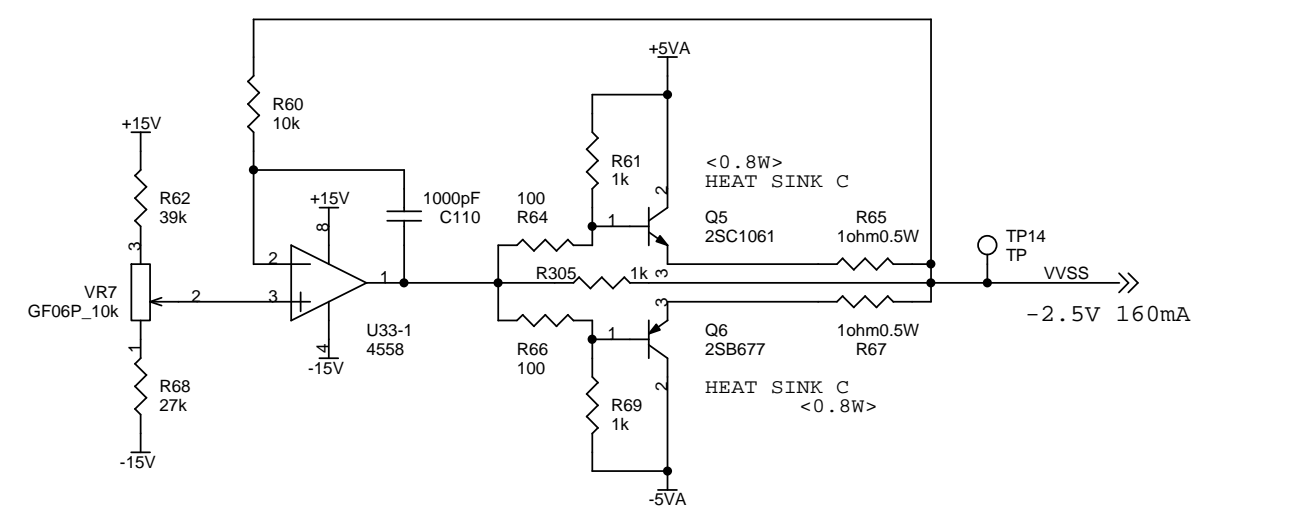
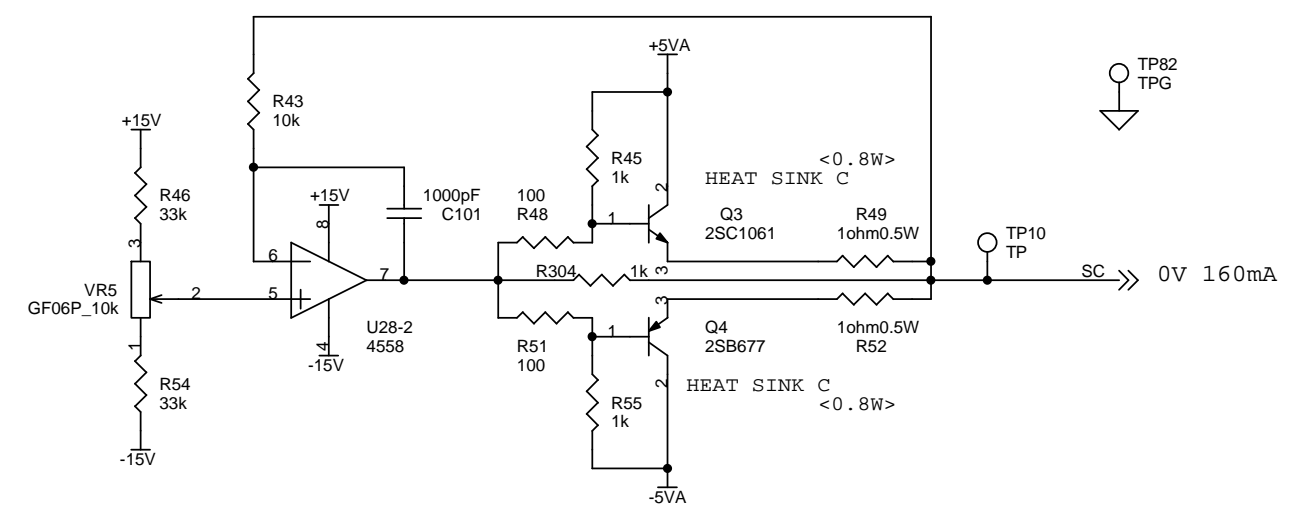
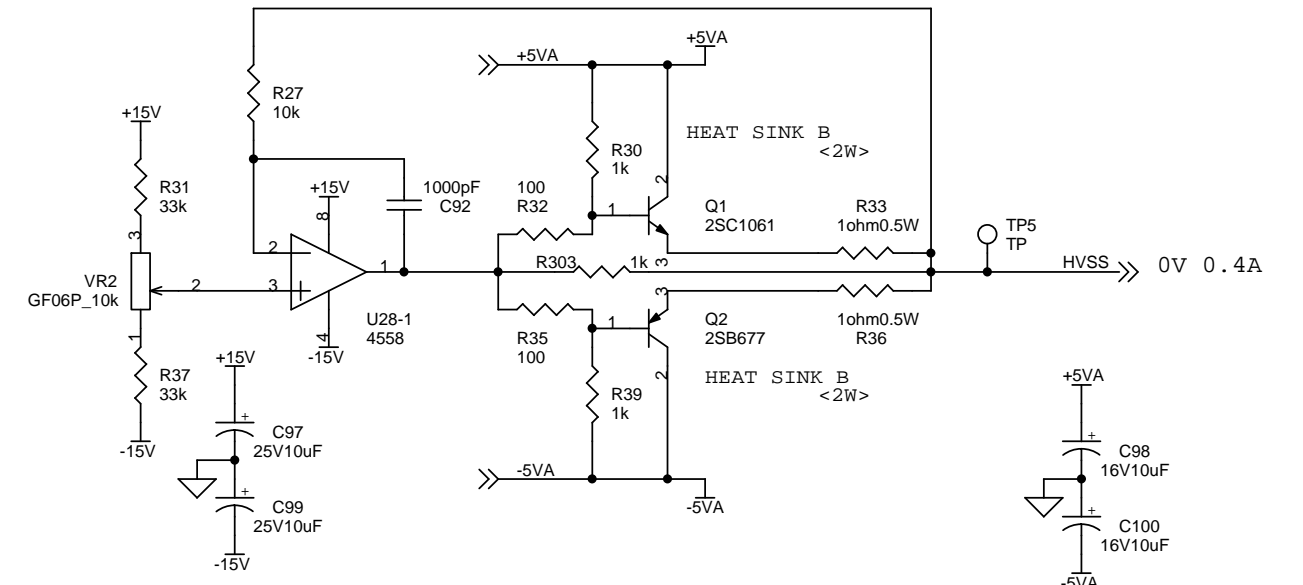
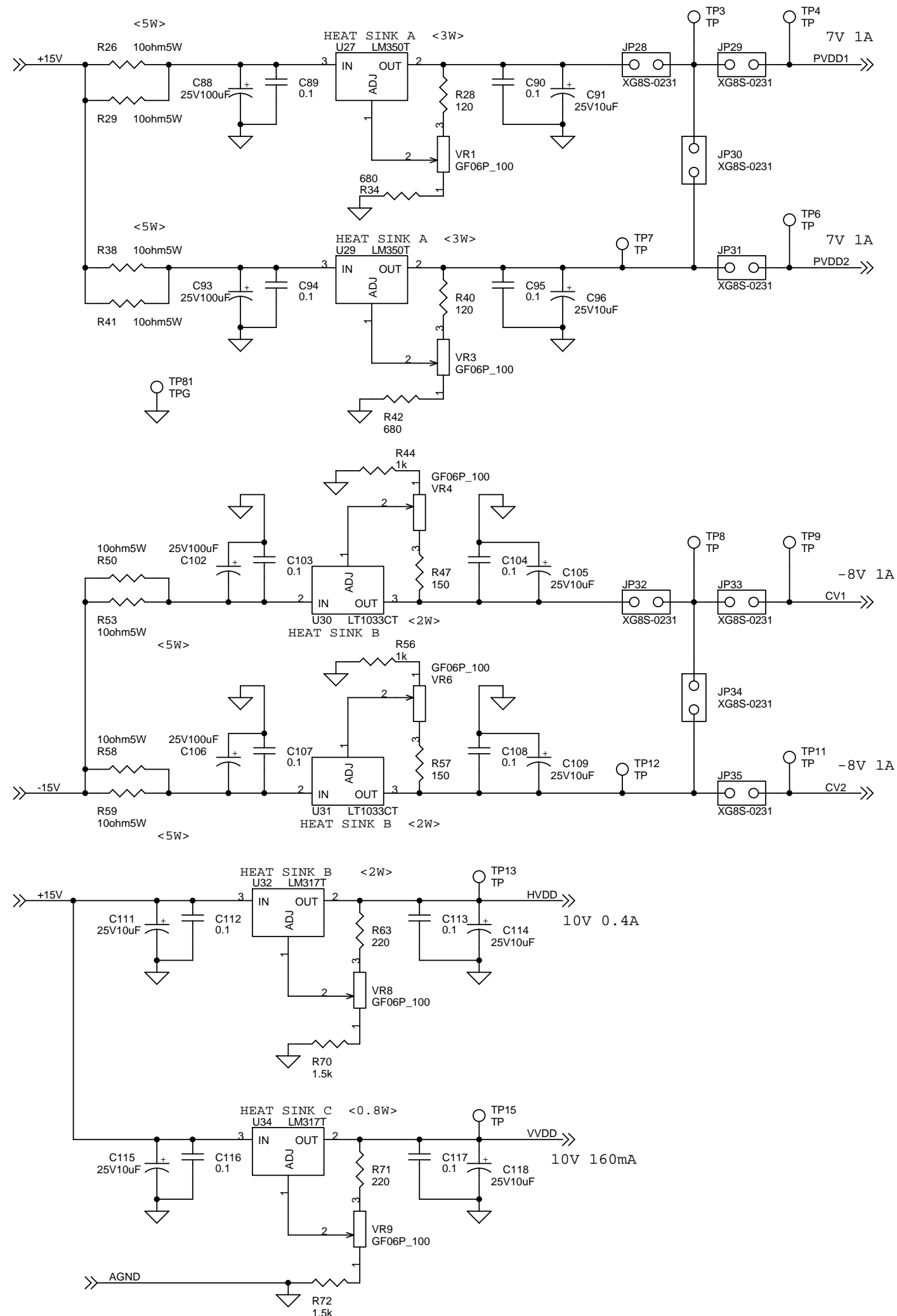
216415-4

216415-4

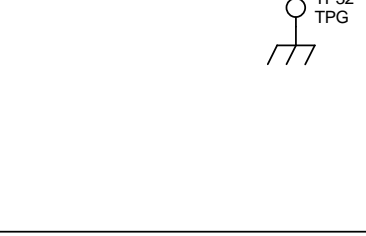
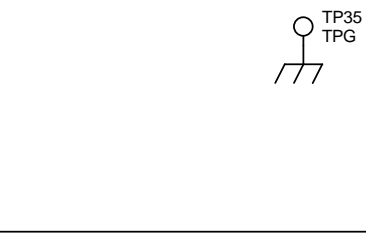
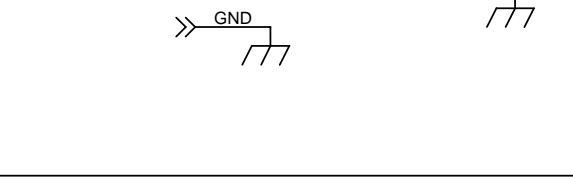
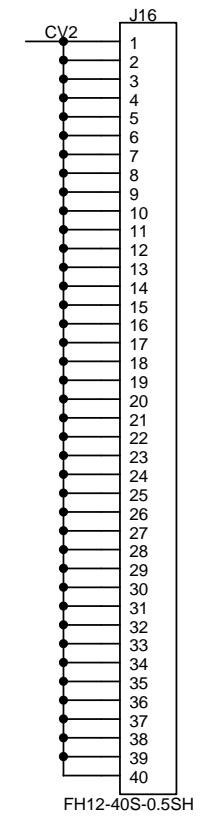
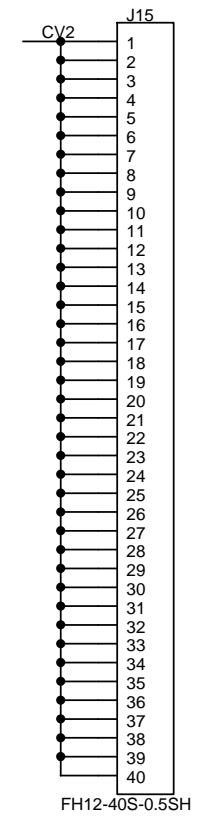
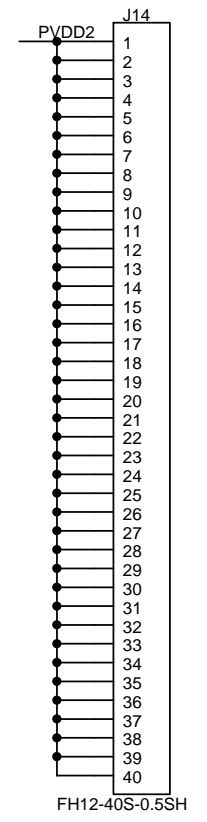
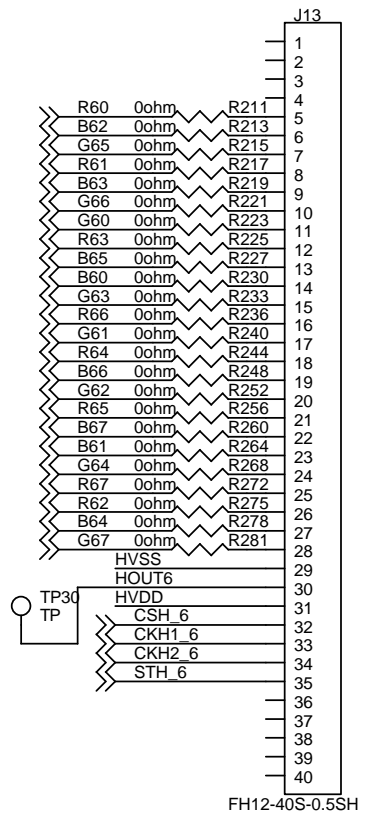
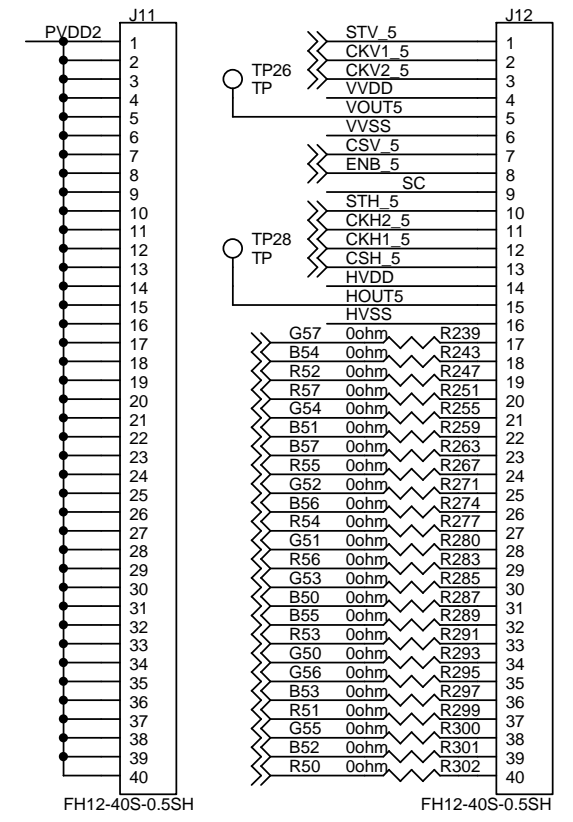
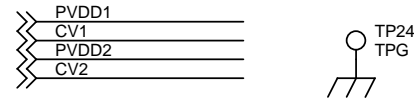
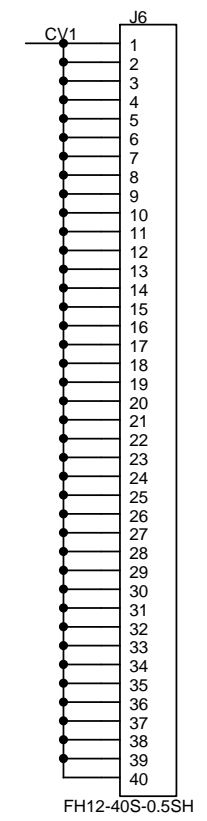
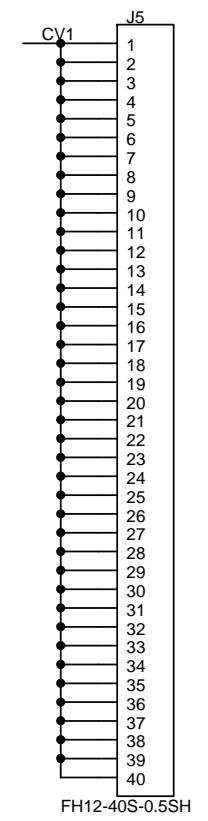
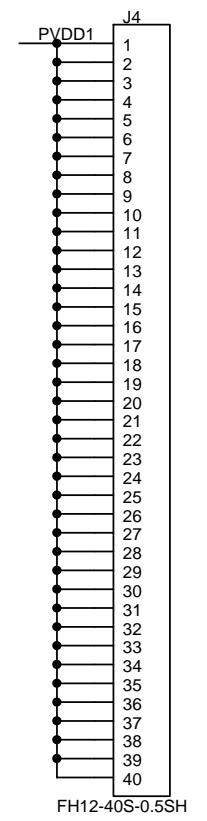
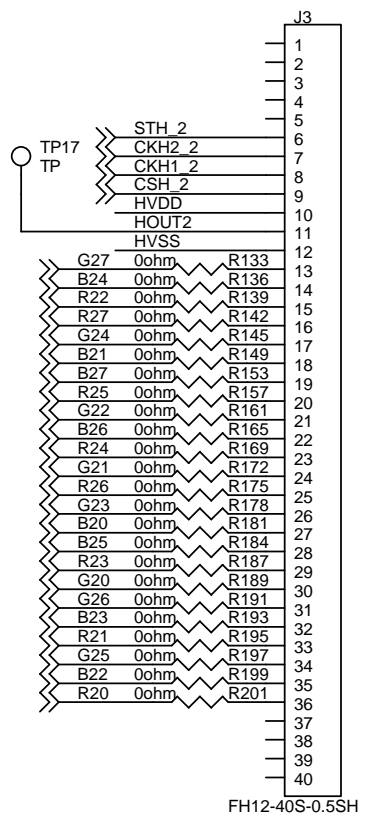
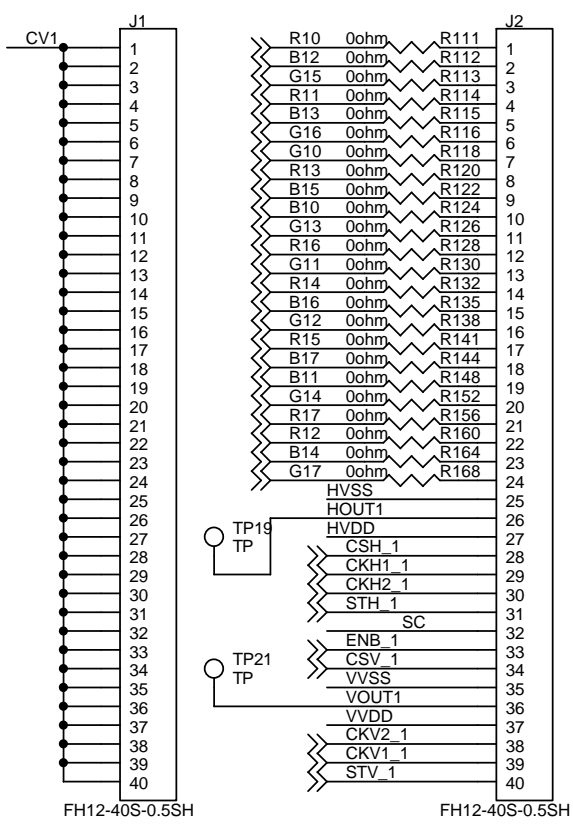
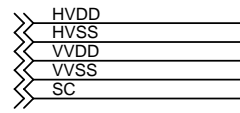
216415-4



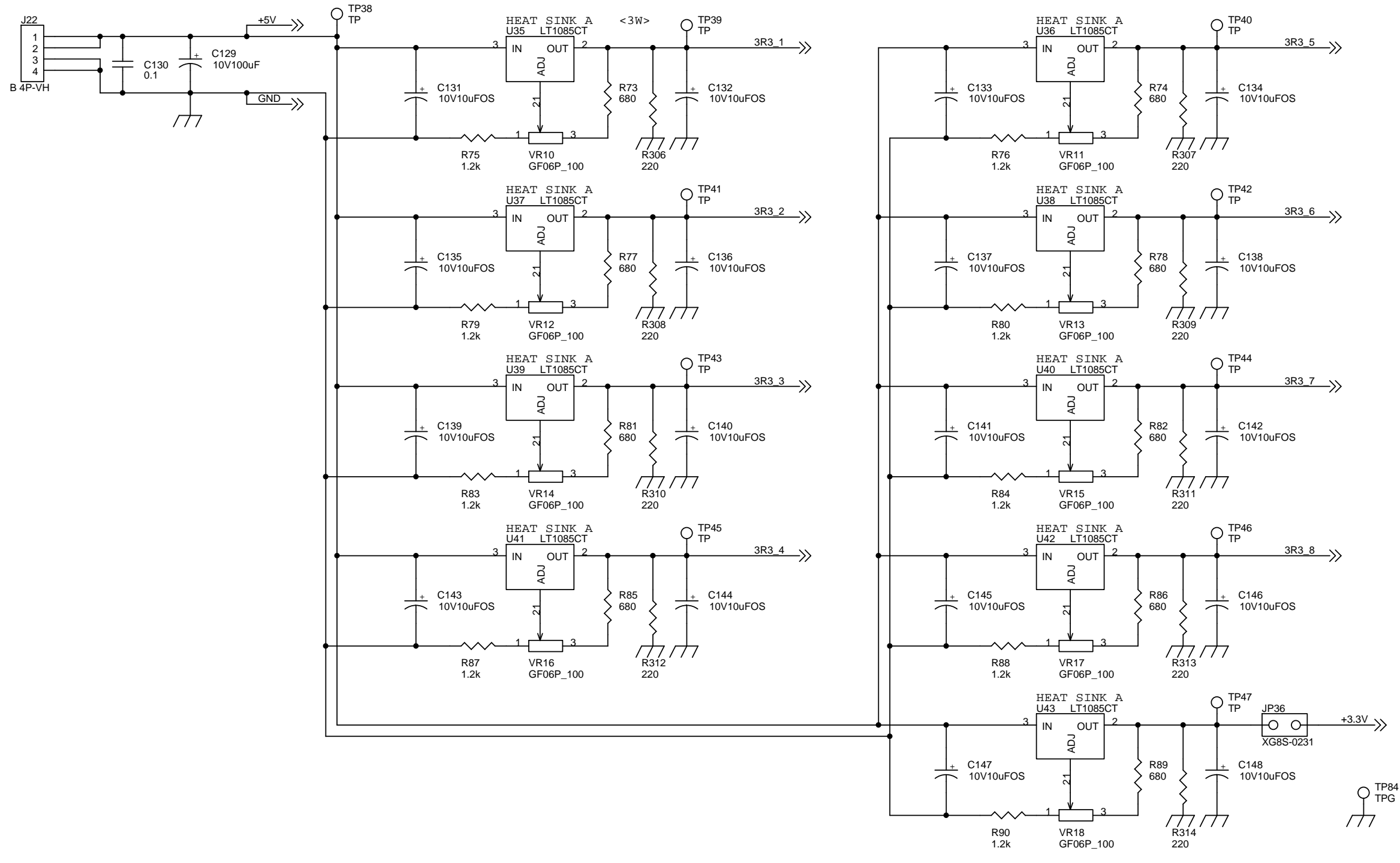
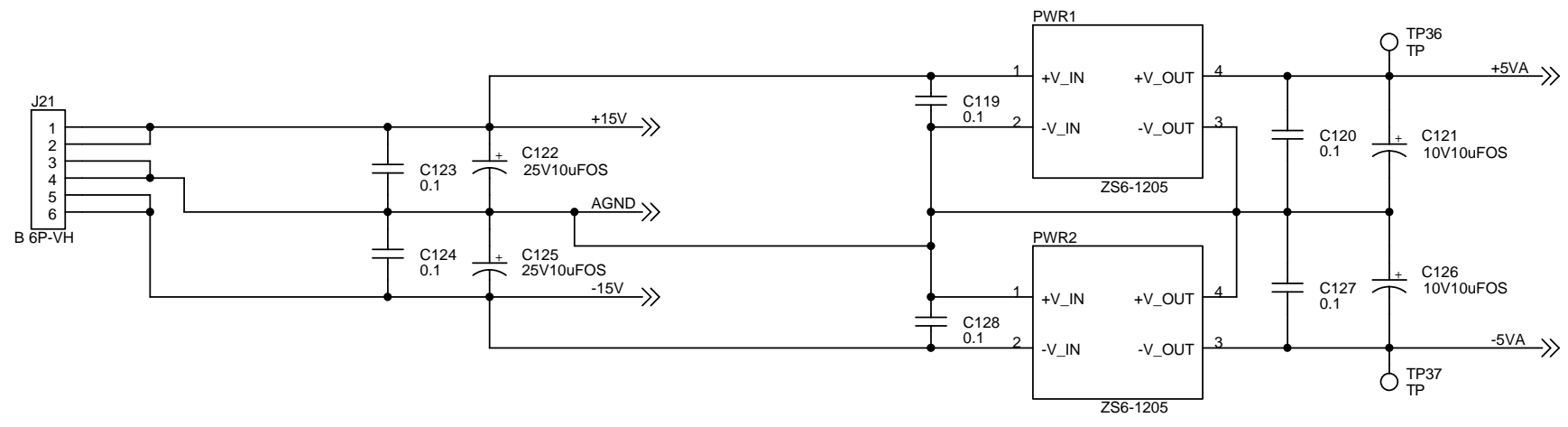
Title		
EL No3 / Main / CN2b		
Size	Document Number	Rev
A3	<Doc>	1
Date:	Tuesday, December 17, 2019	Sheet 8 of 12



Title		
EL No3 / Main / EL Power		
Size	Document Number	Rev
A3	<Doc>	1
Date:	Tuesday, December 17, 2019	Sheet 9 of 12



Title		
<Title>		
Size	Document Number	Rev
A3	<Doc>	1
Date:	Tuesday, December 17, 2019	Sheet 10 of 12



Title		
EL No3 / Main / Power		
Size	Document Number	Rev
A3	<Doc>	1
Date:	Tuesday, December 17, 2019	Sheet 11 of 12

