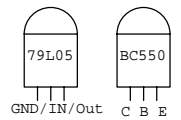
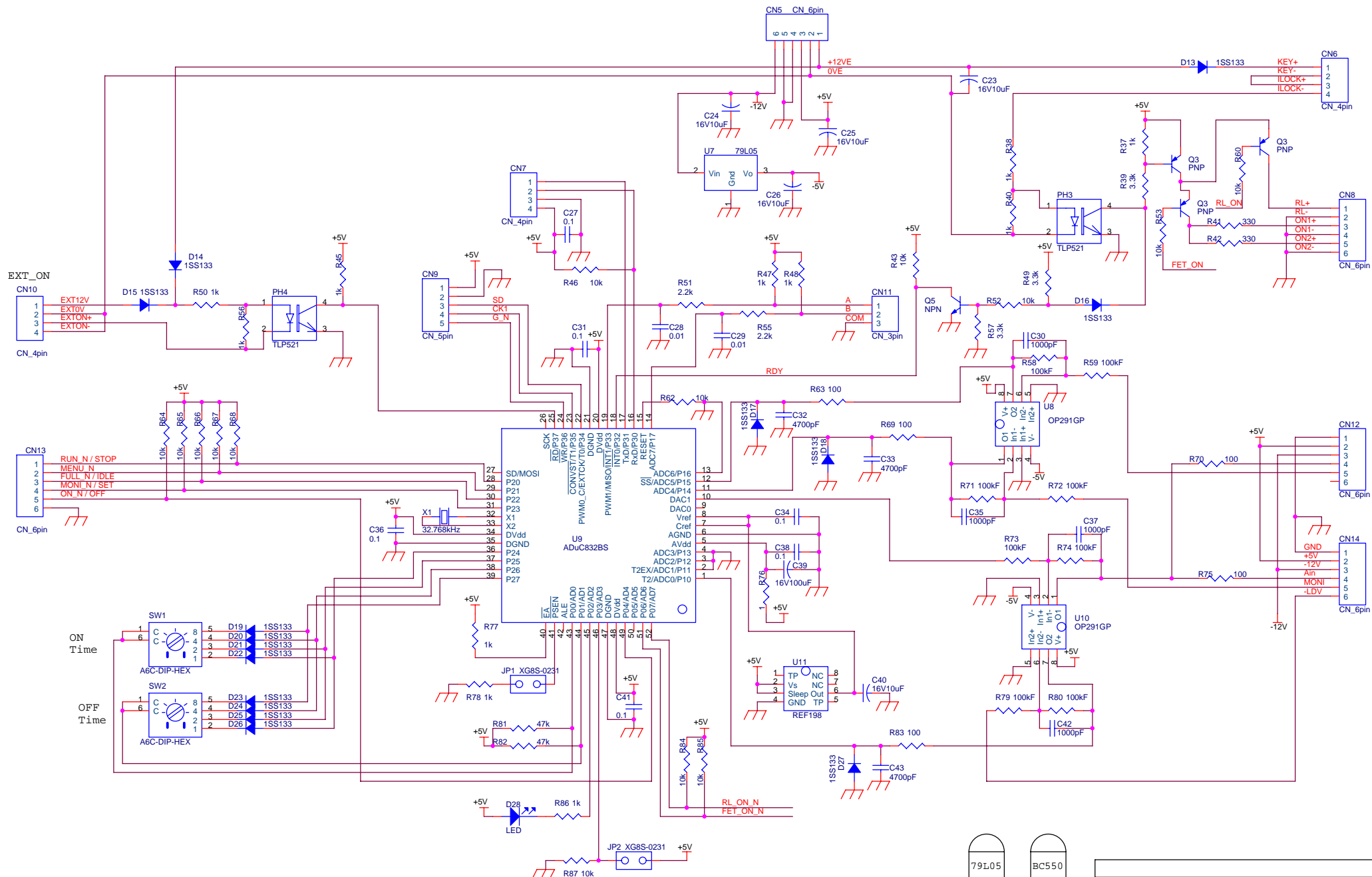


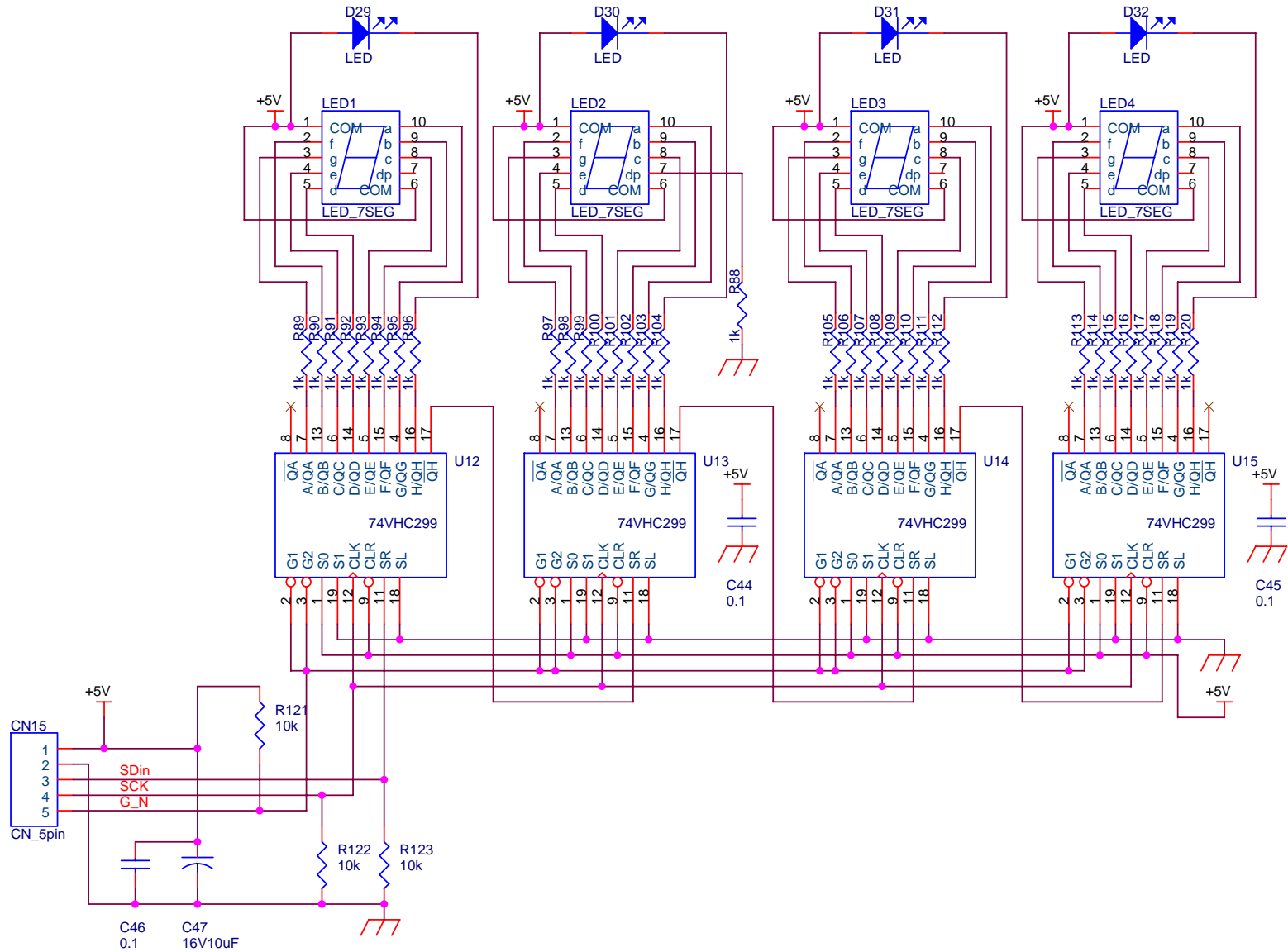
NEGATIVE VOLTAGE INPUT

Title		
CURRENT DRIVE (2SJ607)		
Size	Document Number	Rev
A4	<Doc>	1
Date:	Monday, January 16, 2006	Sheet 1 of 7

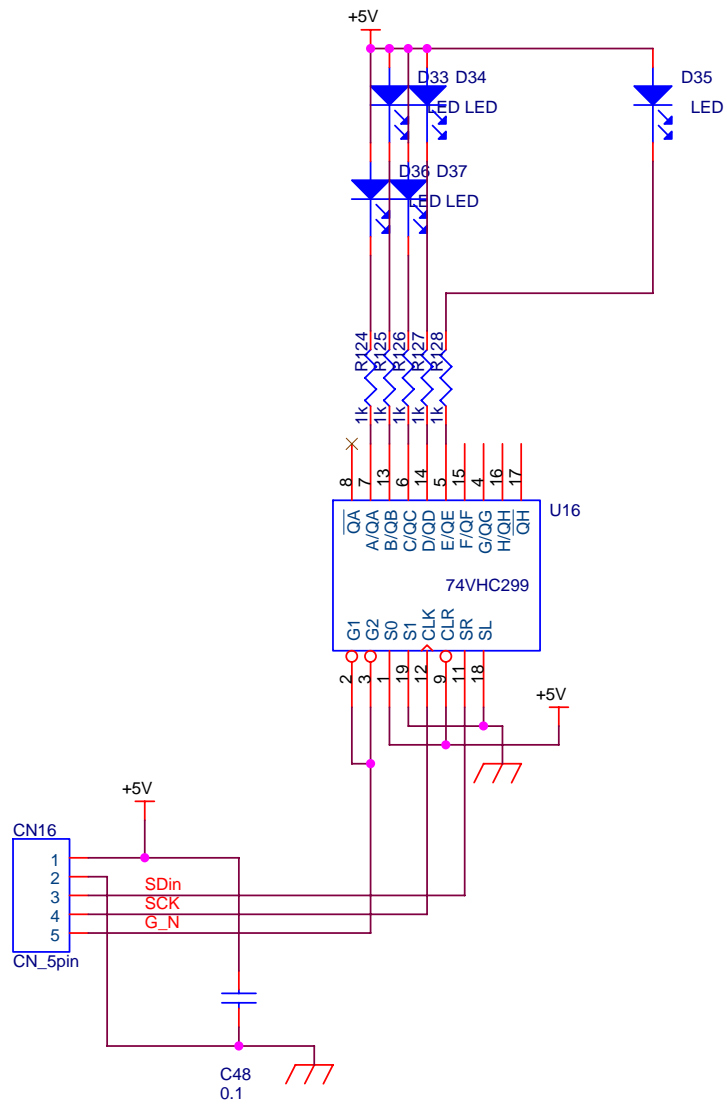




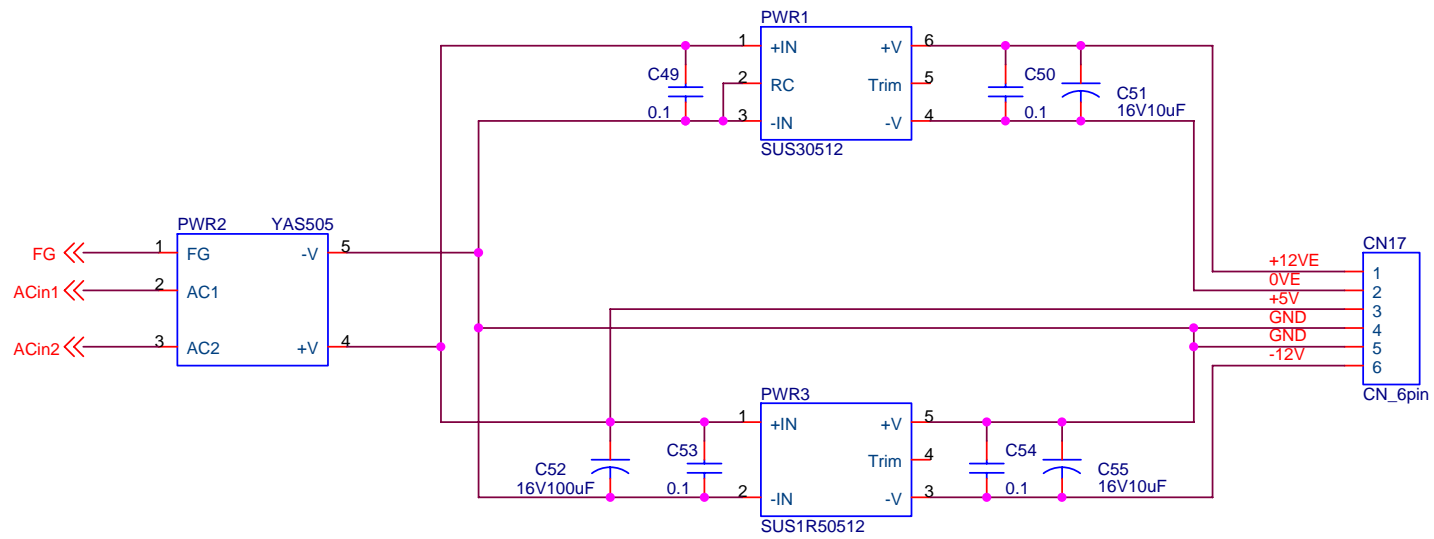
Title <b>CONTROL</b>		
Size A3	Document Number <Doc>	Rev 1
Date: Monday, January 16, 2006	Sheet 3	of 7



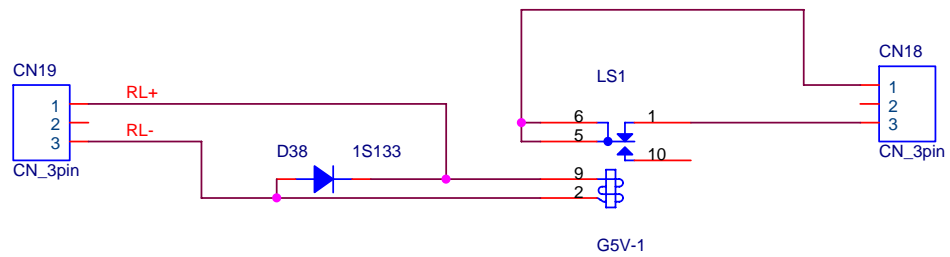
Title		
DISPLAY1		
Size A4	Document Number <Doc>	Rev 1
Date:	Monday, January 16, 2006	Sheet 4 of 7



Title		
DISPLAY2		
Size A4	Document Number <Doc>	Rev 1
Date:	Monday, January 16, 2006	Sheet 5 of 7



Title		
Power		
Size A4	Document Number <Doc>	Rev 1
Date:	Monday, January 16, 2006	Sheet 6 of 7



Title		
RELAY UNIT		
Size A4	Document Number <Doc>	Rev 1
Date:	Monday, January 16, 2006	Sheet 7 of 7