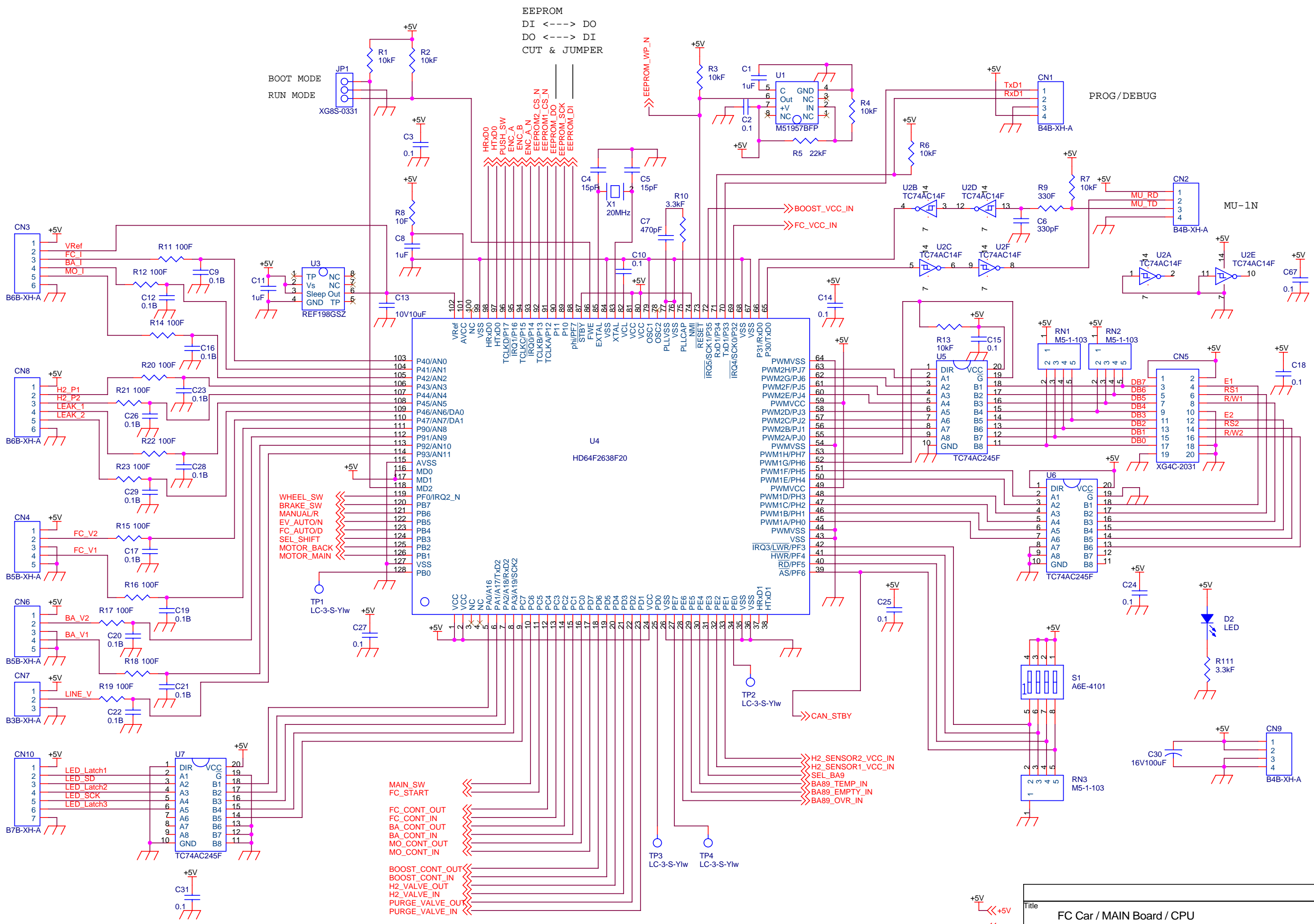
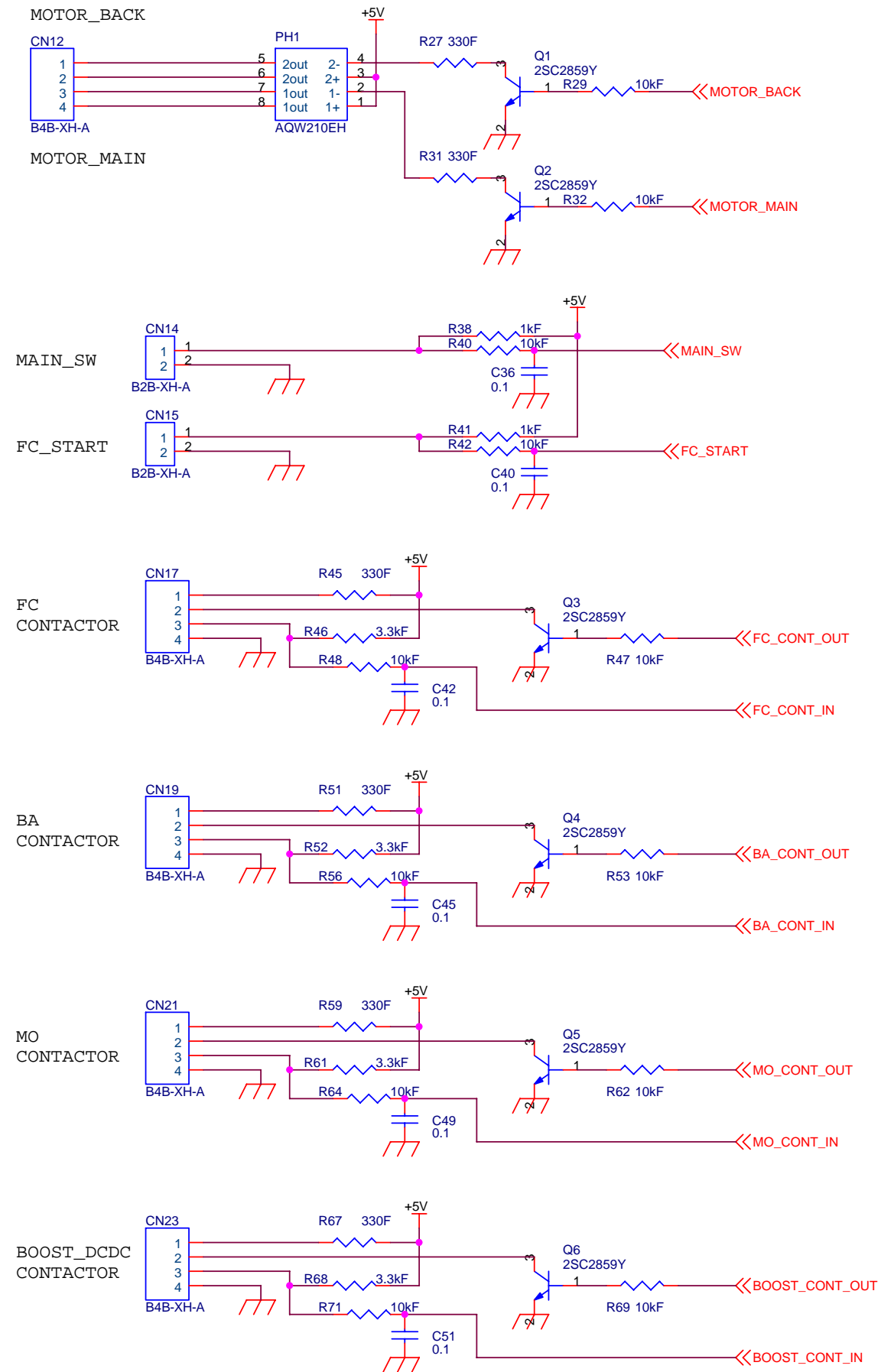
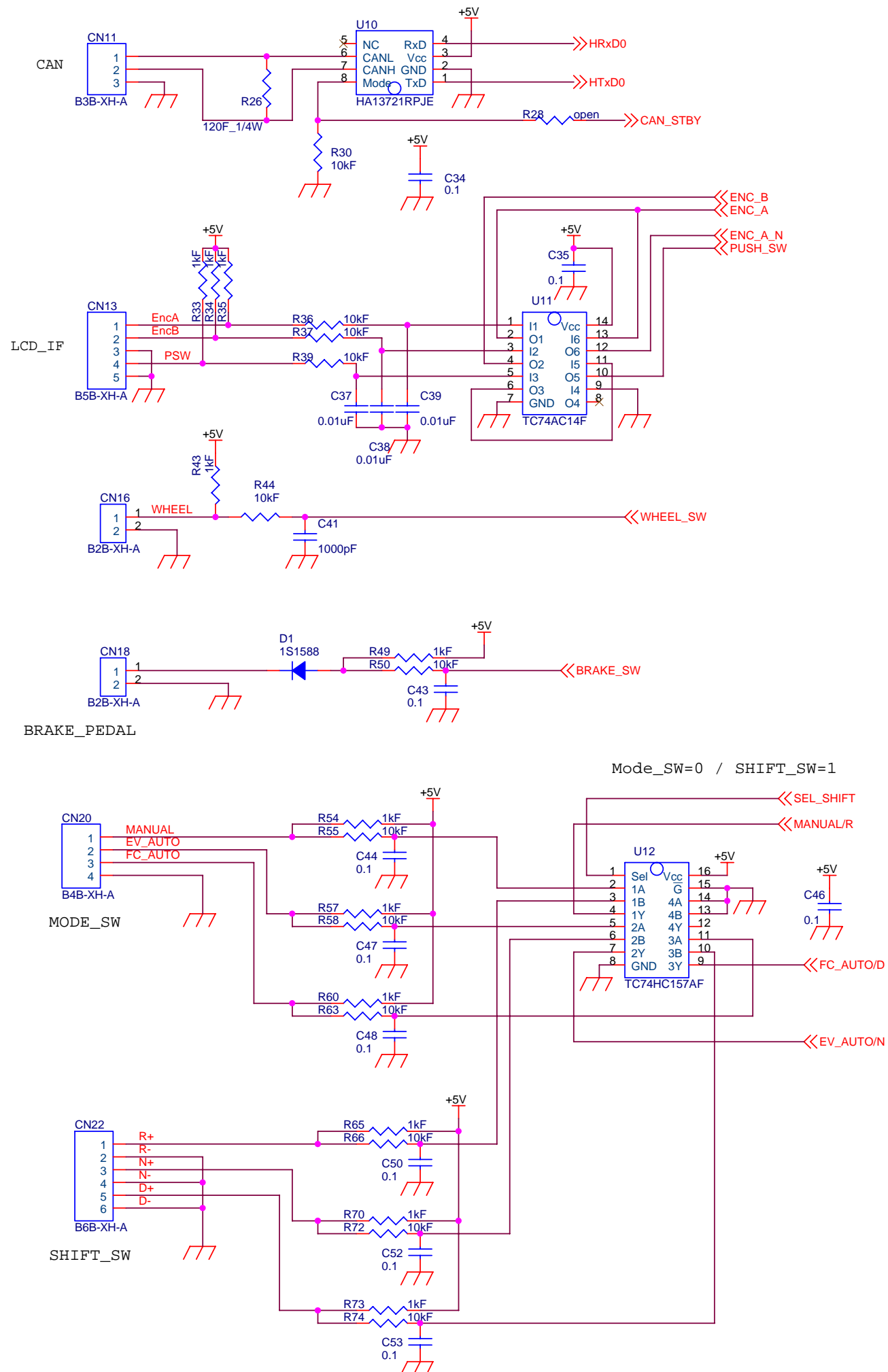


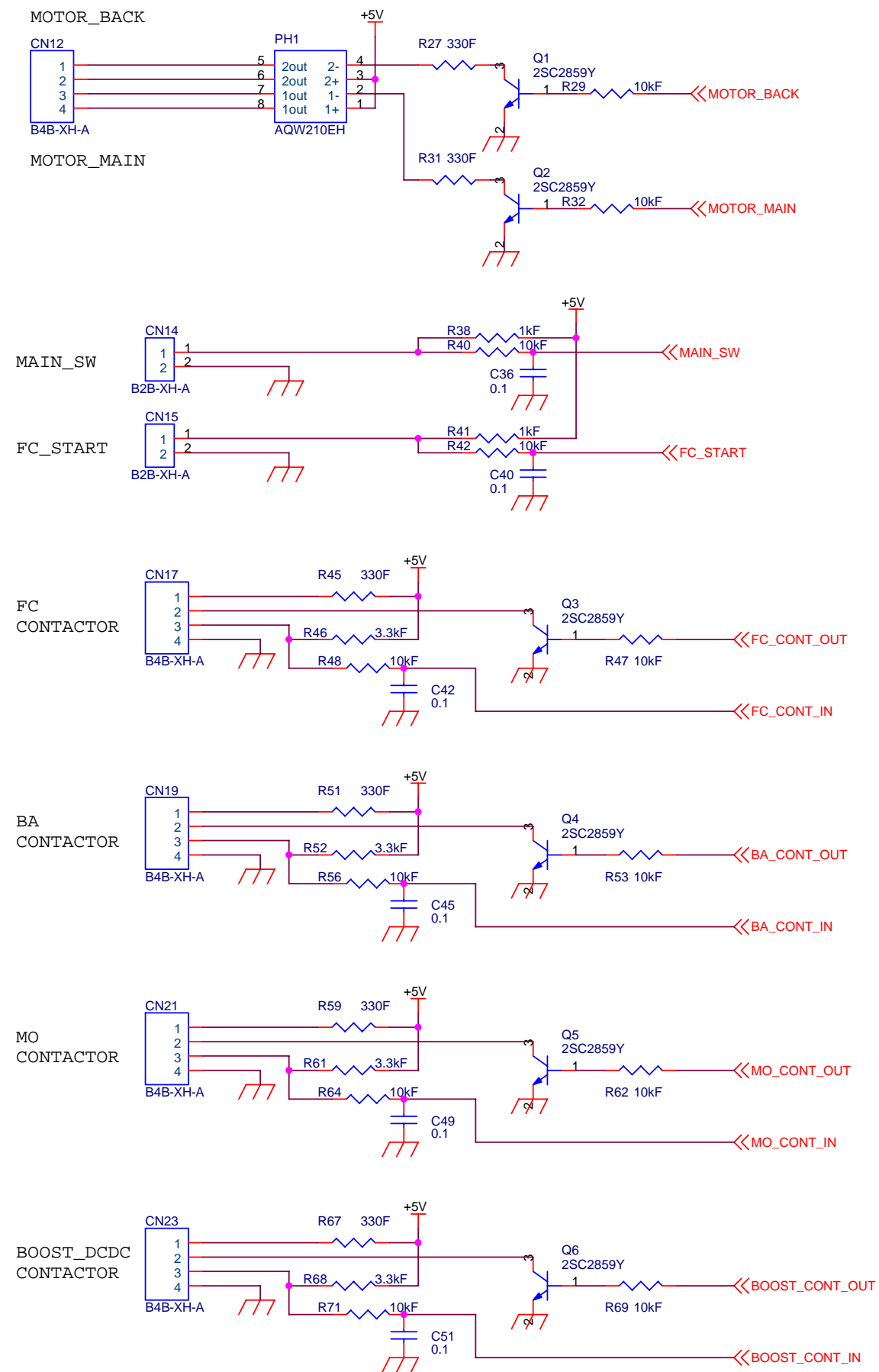
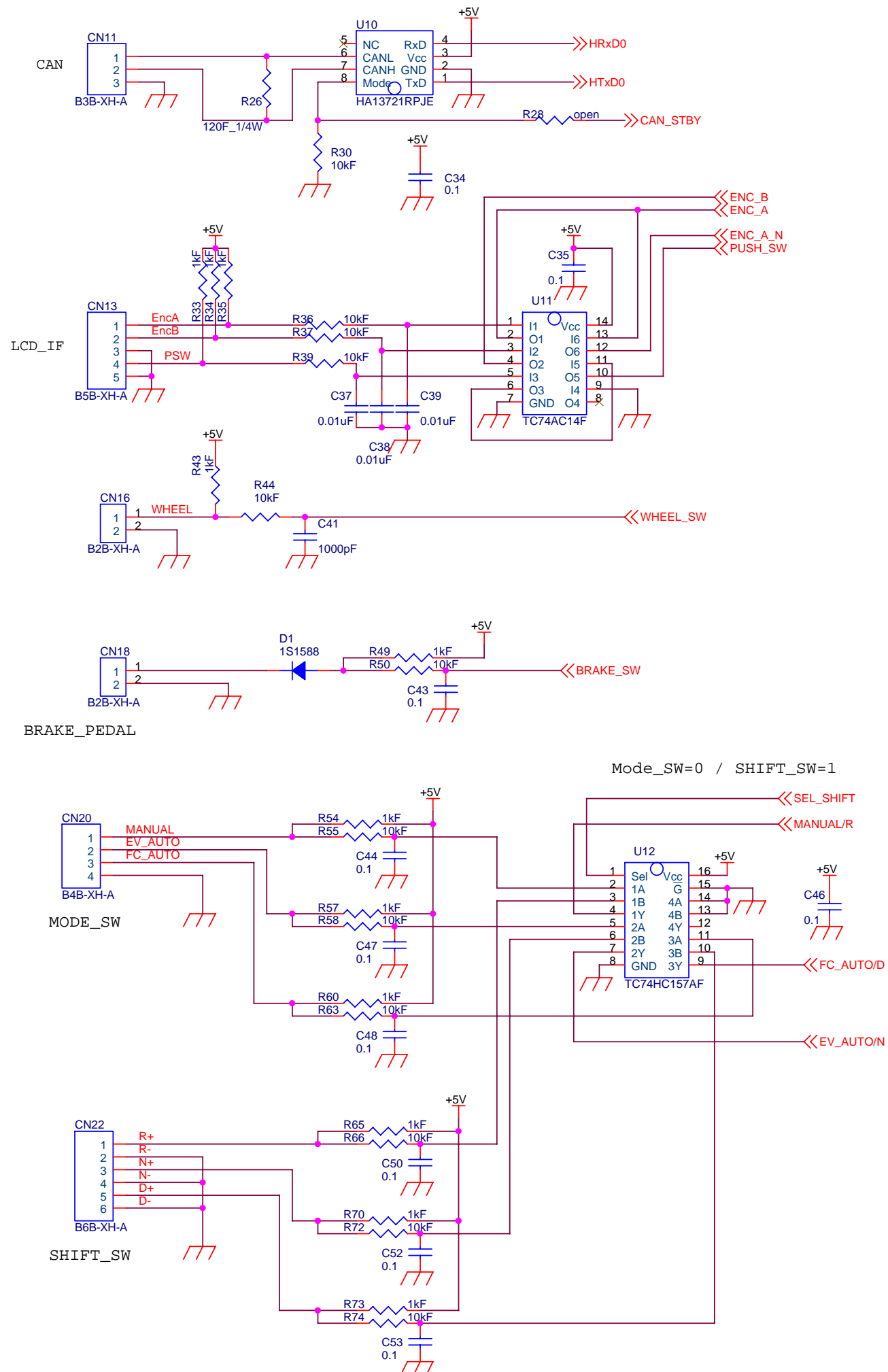
EEPROM
 DI <---> DO
 DO <---> DI
 CUT & JUMPER



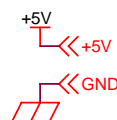
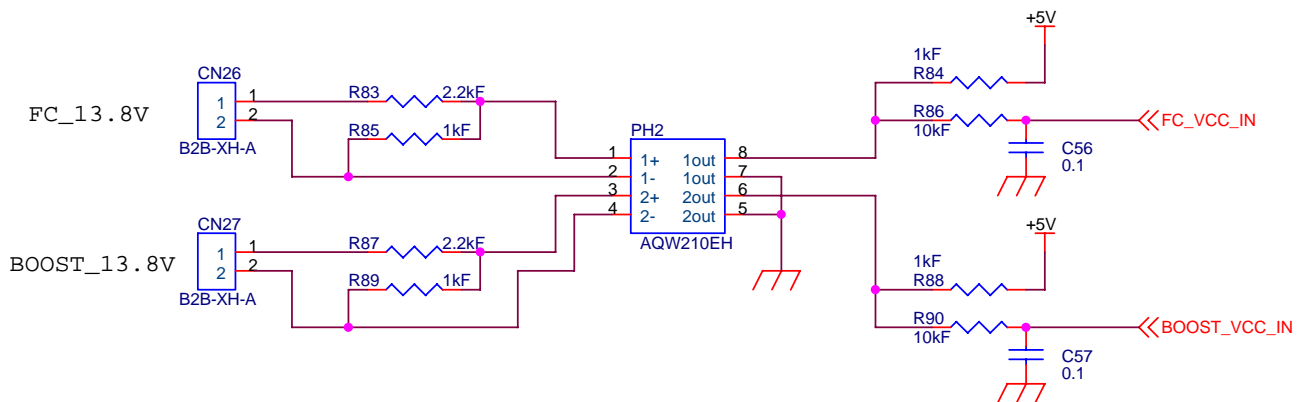
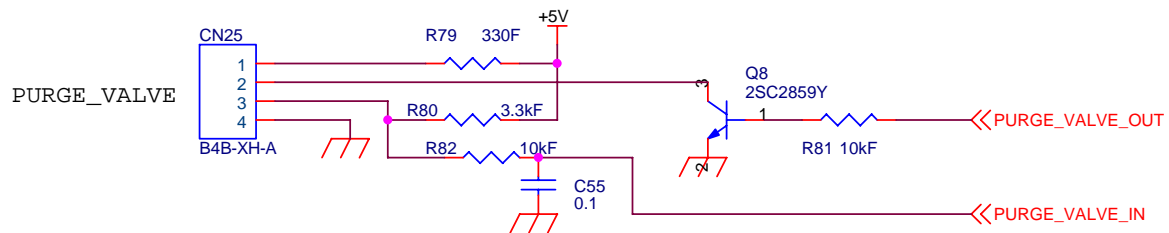
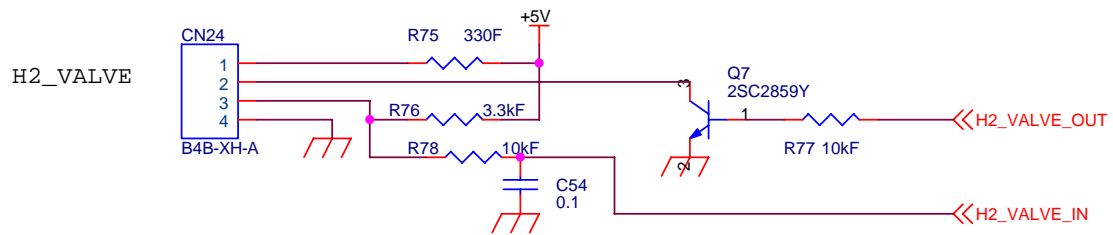
Title		
FC Car / MAIN Board / CPU		
Size	Document Number	Rev
A3	<Doc>	1
Date:	Wednesday, December 29, 2010	Sheet 1 of 5



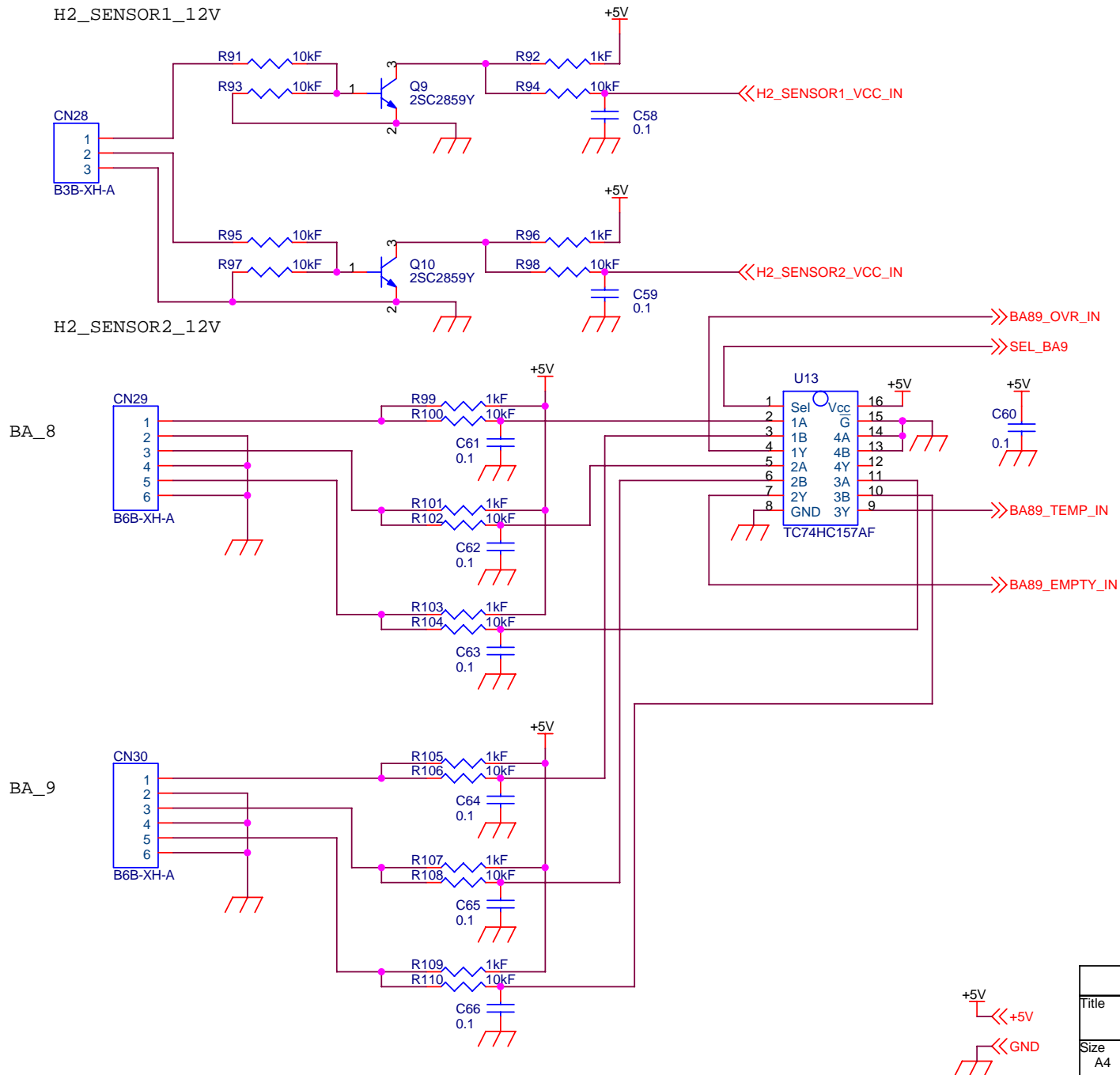
Title		
FC Car / MAIN Board / IF1		
Size	Document Number	Rev
A3	<Doc>	1
Date:	Wednesday, December 29, 2010	Sheet 3 of 5



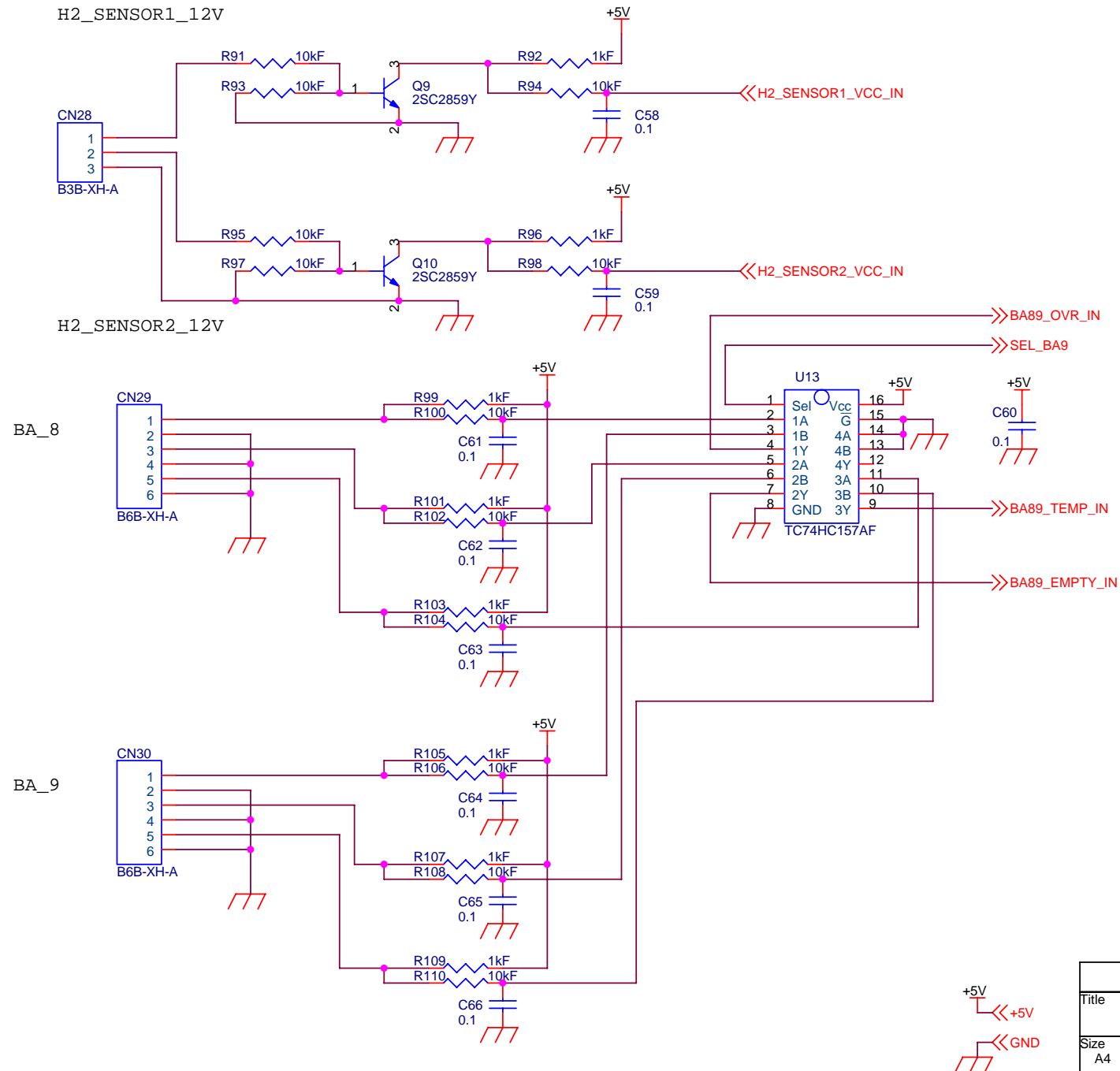
Title		
FC Car / MAIN Board / IF1		
Size	Document Number	Rev
A3	<Doc>	1
Date:	Wednesday, December 29, 2010	Sheet 3 of 5



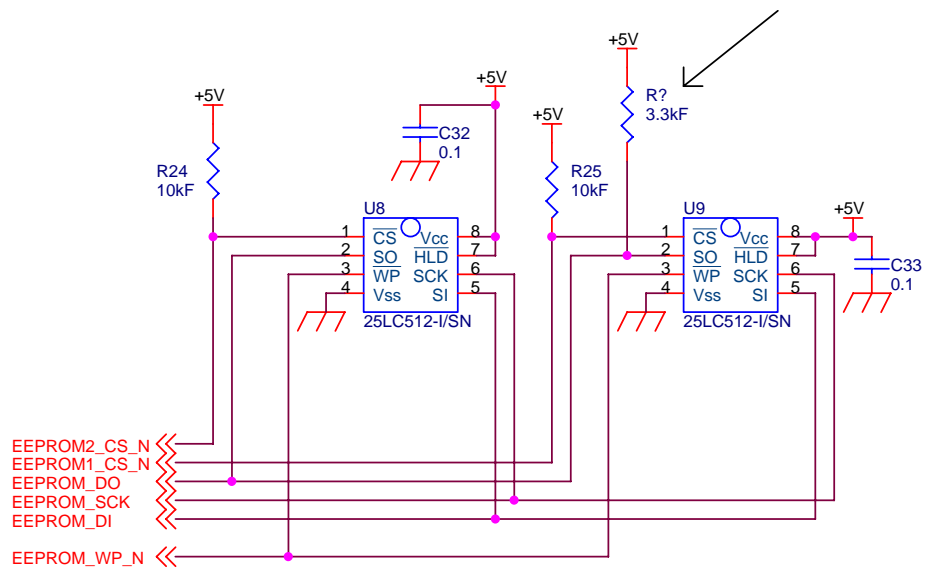
Title		
FC Car / MAIN Board / IF2		
Size A4	Document Number <Doc>	Rev 1
Date:	Wednesday, December 29, 2010	Sheet 4 of 5



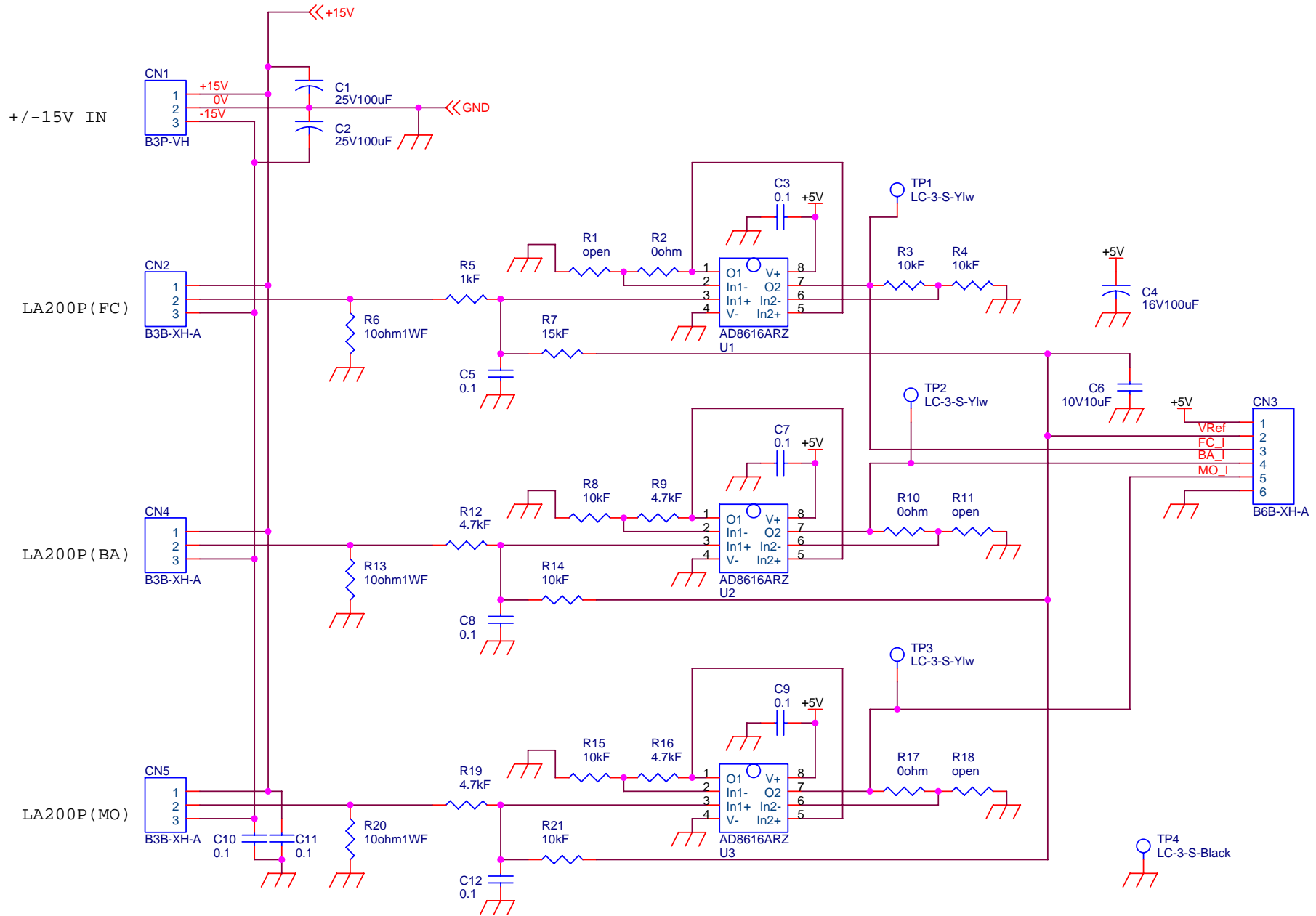
Title		
FC Car / MAIN Board / IF3		
Size	Document Number	Rev
A4	<Doc>	1
Date:	Wednesday, December 29, 2010	Sheet 5 of 5



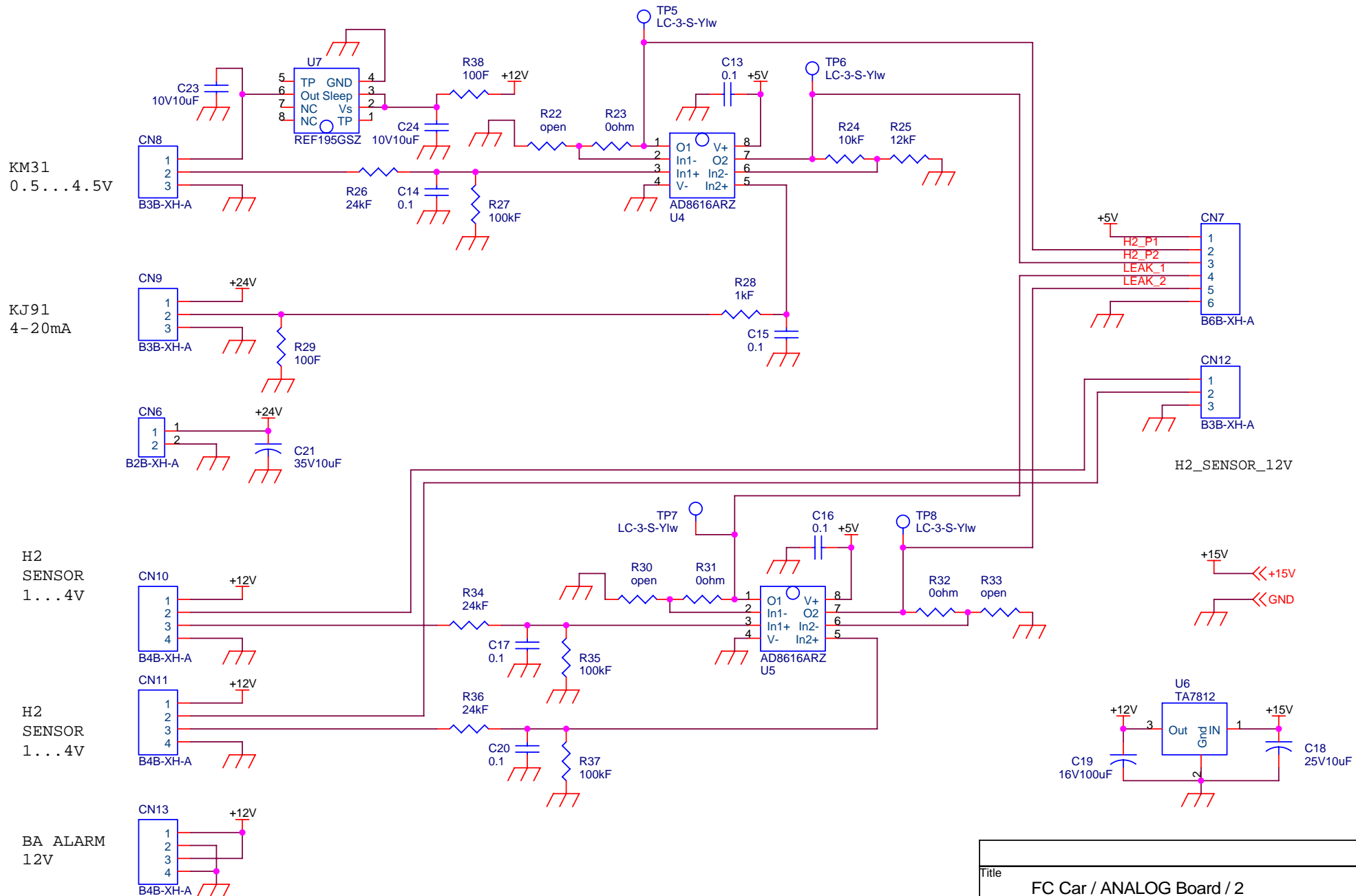
Title		
FC Car / MAIN Board / IF3		
Size	Document Number	Rev
A4	<Doc>	1
Date:	Wednesday, December 29, 2010	Sheet 5 of 5



Title		
FC Car / MAIN Board / EEPROM		
Size A4	Document Number <Doc>	Rev 1
Date:	Wednesday, December 29, 2010	Sheet 2 of 5



Title		
FC Car / ANALOG Board / 1		
Size	Document Number	Rev
A4	<Doc>	1
Date:	Wednesday, September 08, 2010	Sheet 1 of 2



KM31
0.5...4.5V

KJ91
4-20mA

H2
SENSOR
1...4V

H2
SENSOR
1...4V

BA ALARM
12V

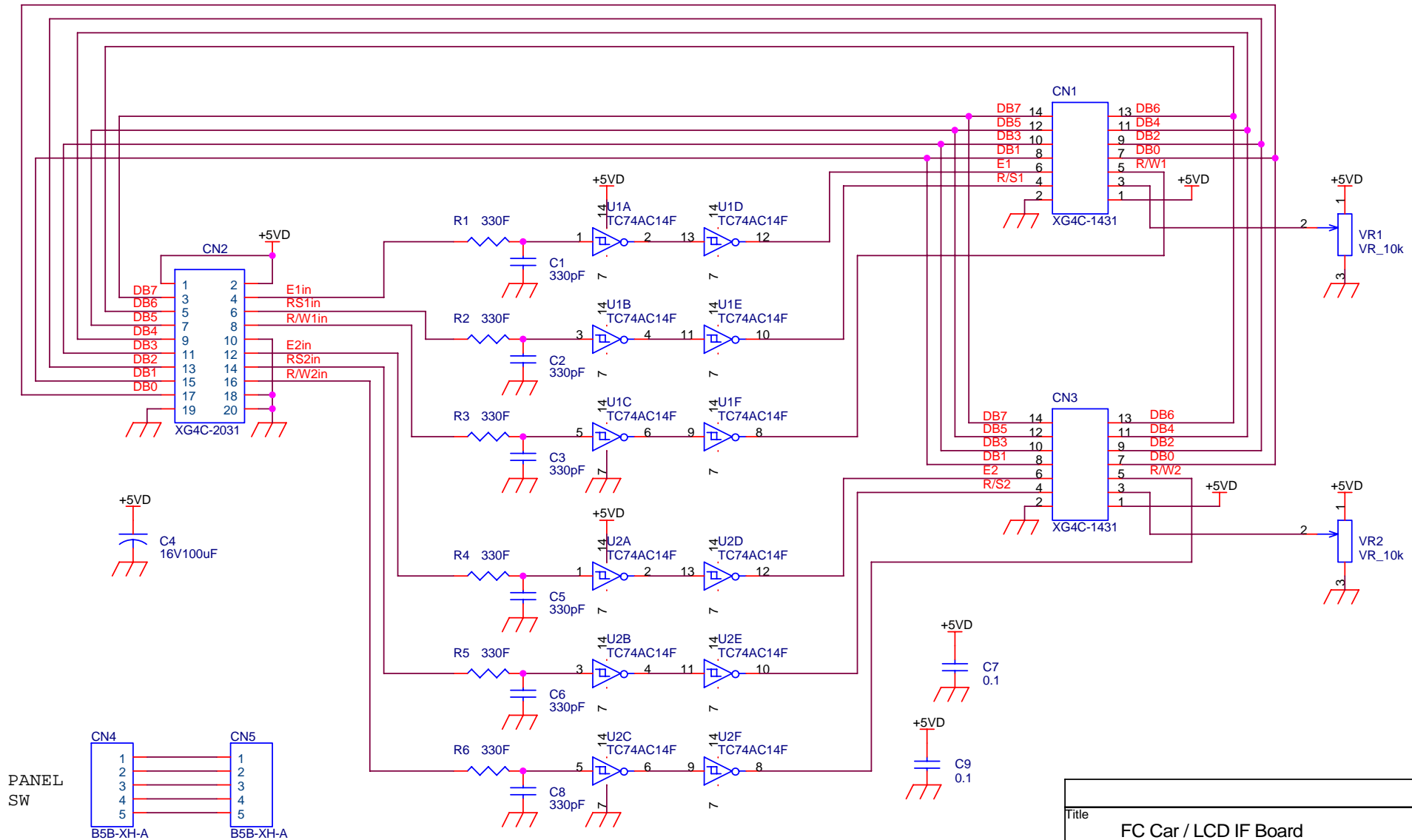
+5V
H2_P1
H2_P2
LEAK_1
LEAK_2

H2_SENSOR_12V

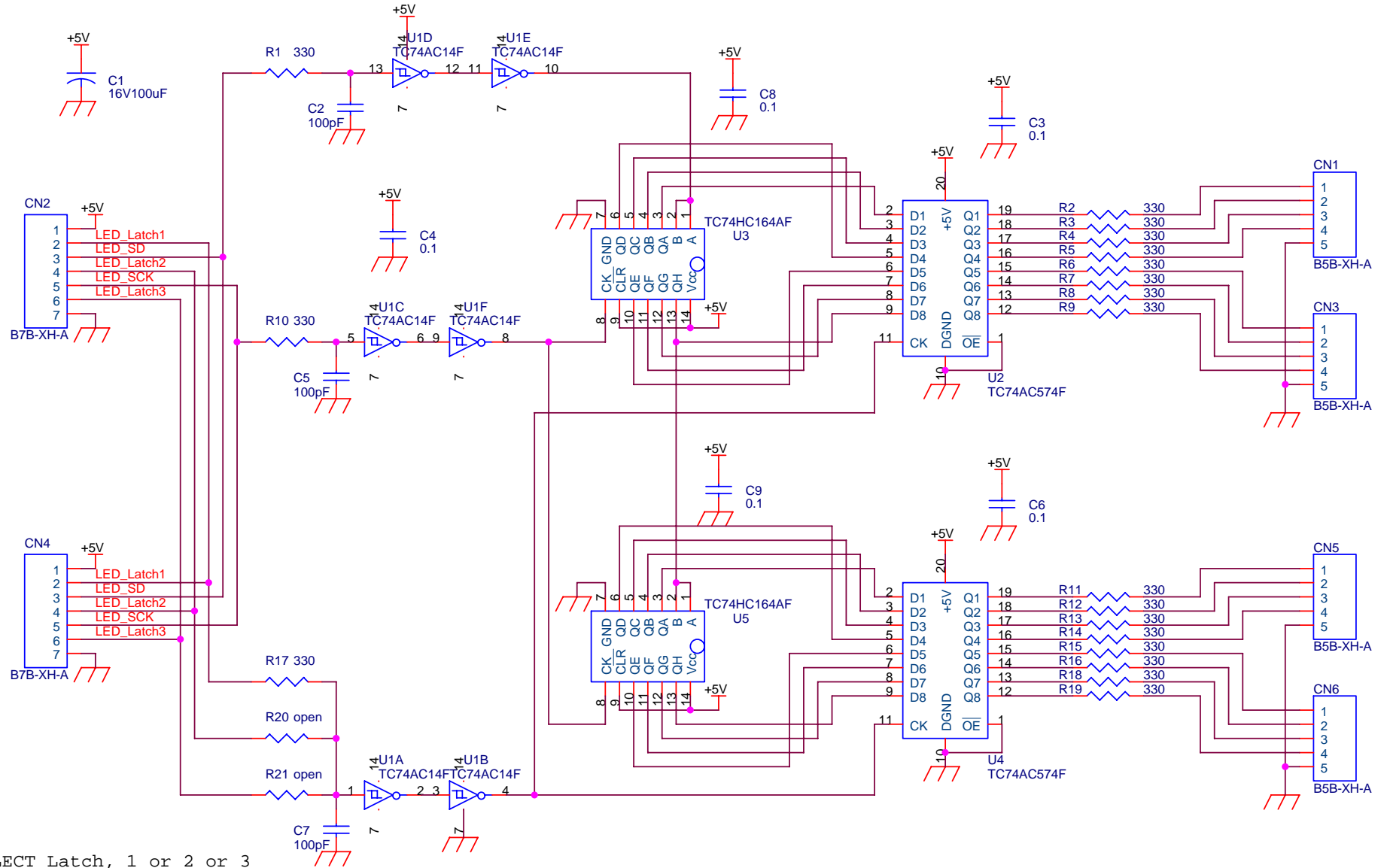
+15V
GND

Title		
FC Car / ANALOG Board / 2		
Size	Document Number	Rev
A4	<Doc>	1
Date:	Wednesday, September 08, 2010	Sheet 2 of 2

AKIZUKI LCD : 1pin=+5V, 2pin=GND
 POWERPIT LCD : 1pin=GND, 2pin=+5V



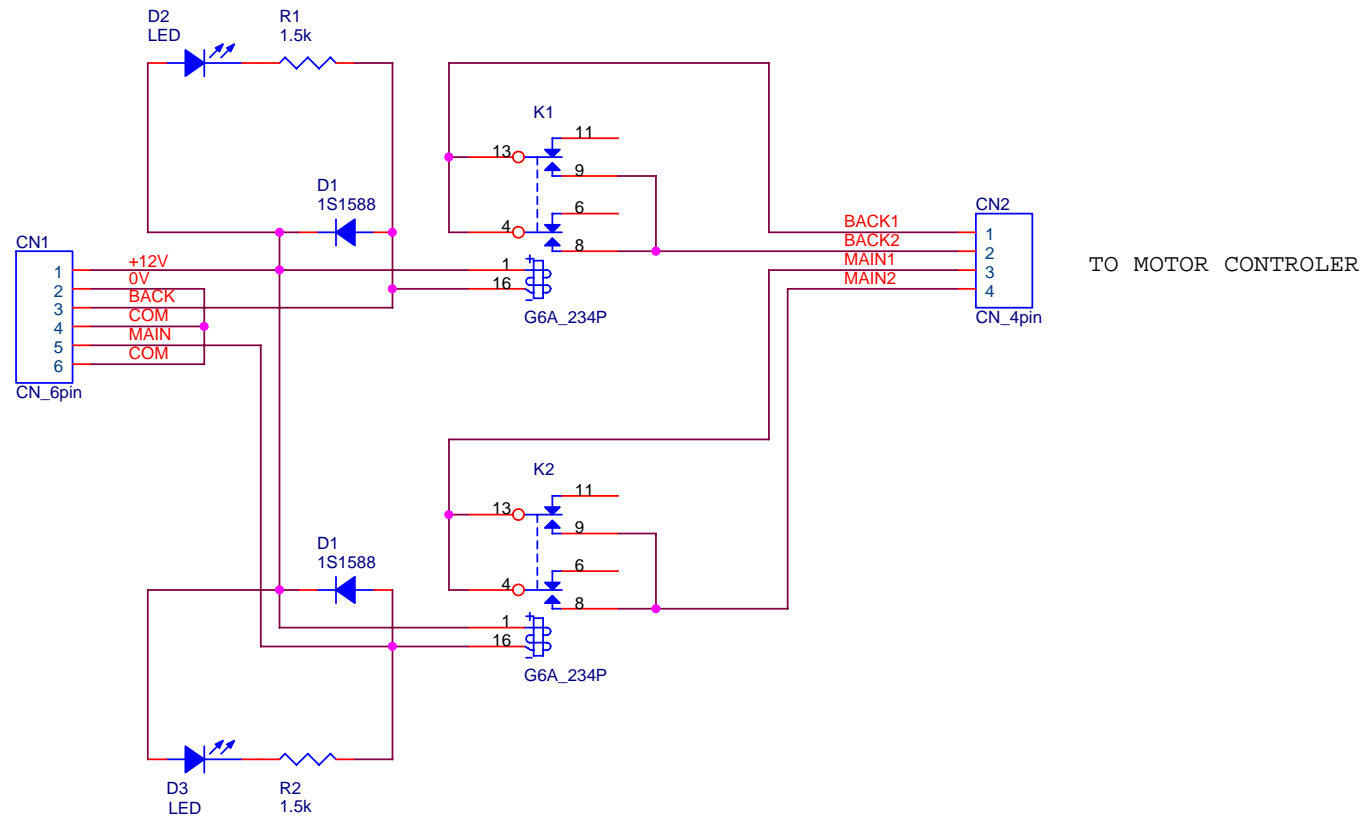
Title		
FC Car / LCD IF Board		
Size	Document Number	Rev
A4	<Doc>	1
Date:	Wednesday, December 29, 2010	Sheet 1 of 1



SELECT Latch, 1 or 2 or 3

Title		
FC Car / LED IF Board		
Size	Document Number	Rev
A4	<Doc>	1
Date:	Sunday, August 22, 2010	Sheet 1 of 1

+12V/0V = TO BATTERY
 etc = TO CPU BOARD CN12



TO MOTOR CONTROLER

Title		
Relay Adaptor		
Size A4	Document Number <Doc>	Rev 1
Date:	Tuesday, December 28, 2010	Sheet 1 of 1