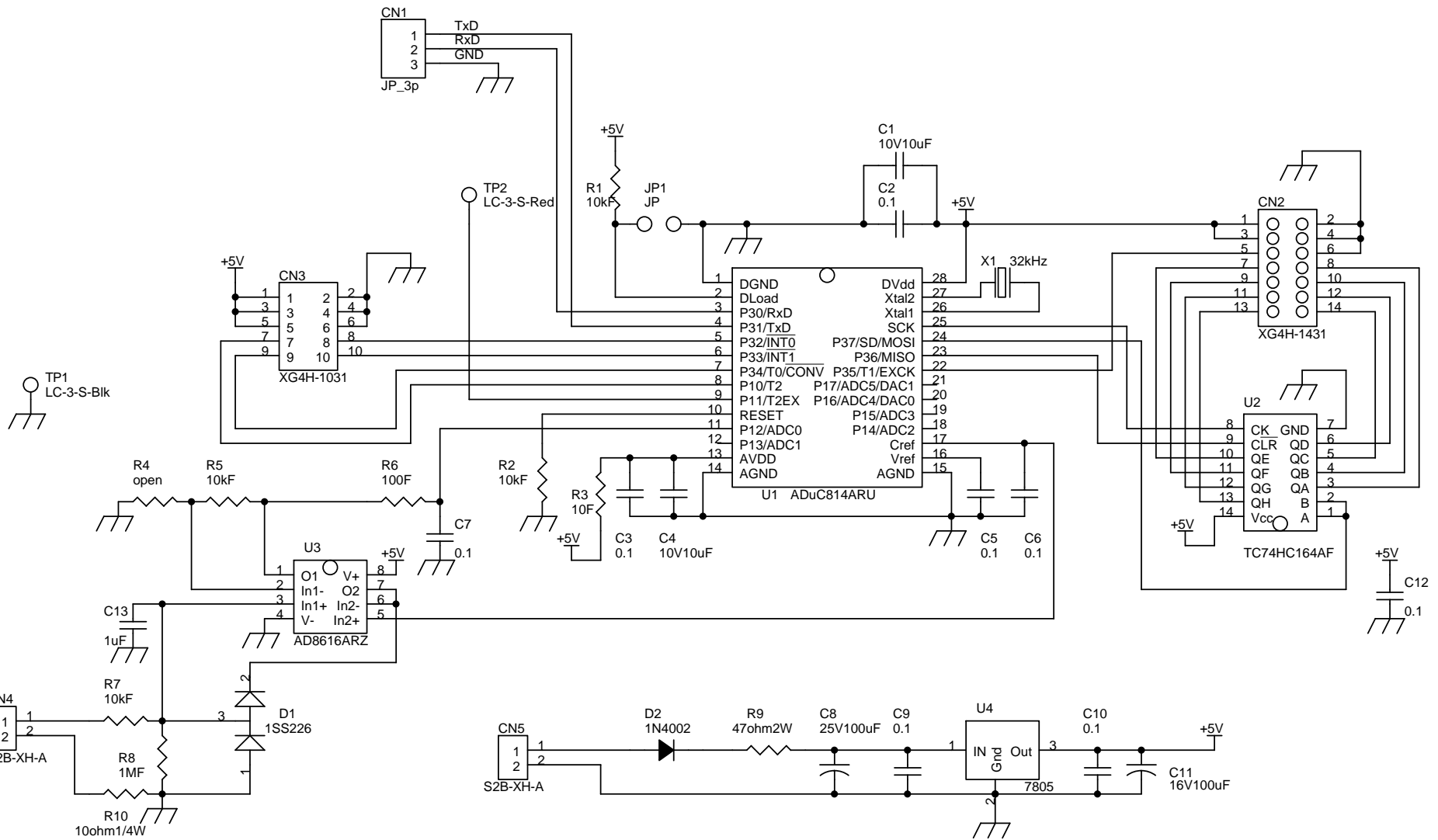
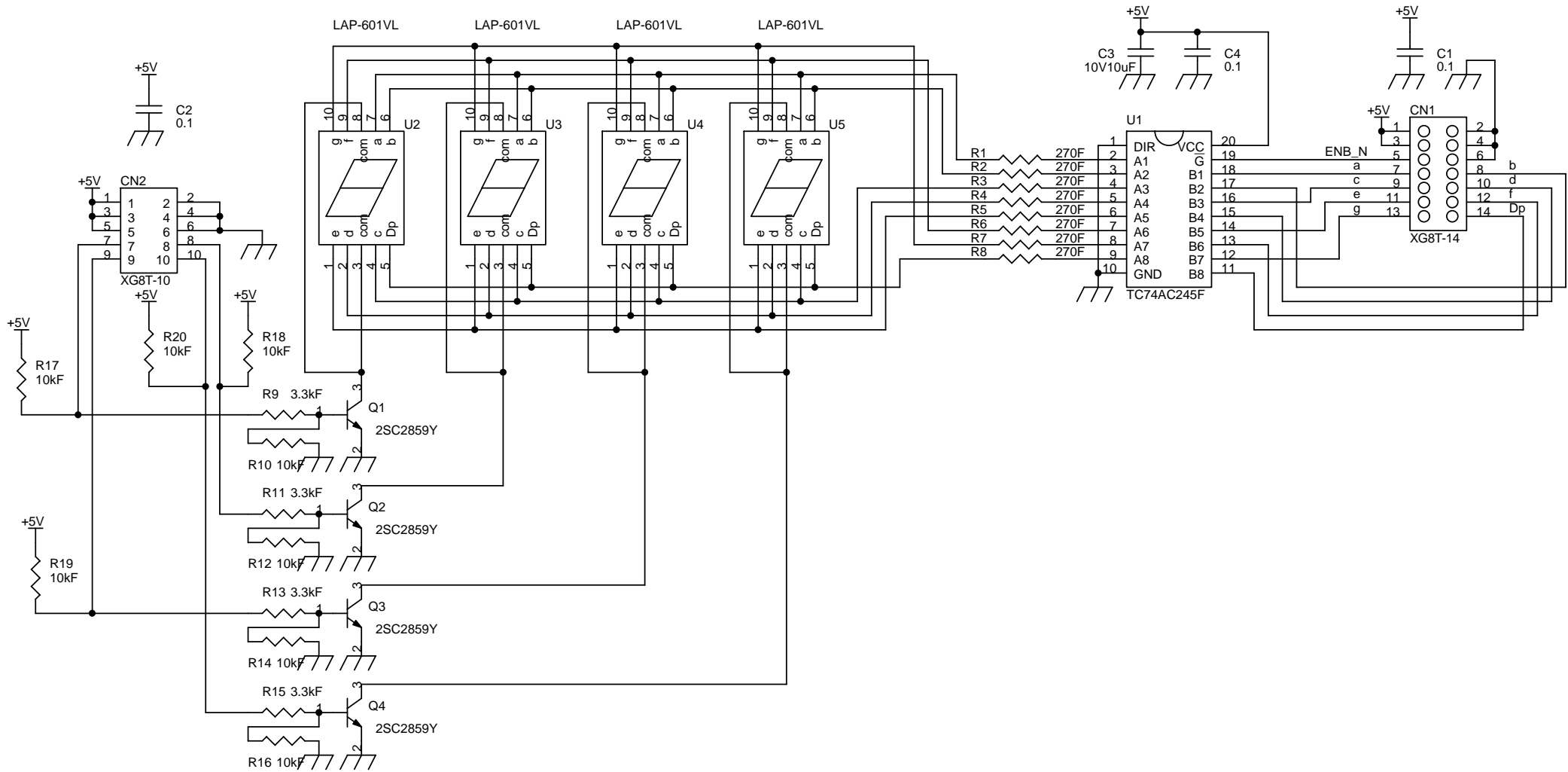


TTL / RS232C



Title		
Volt Meter / CPU		
Size	Document Number	Rev
A4	<Doc>	1
Date:	Saturday, November 20, 2010	Sheet 1 of 1



Title		
Volt Meter / DISP		
Size	Document Number	Rev
A4	<Doc>	1
Date:	Monday, November 22, 2010	Sheet 1 of 1