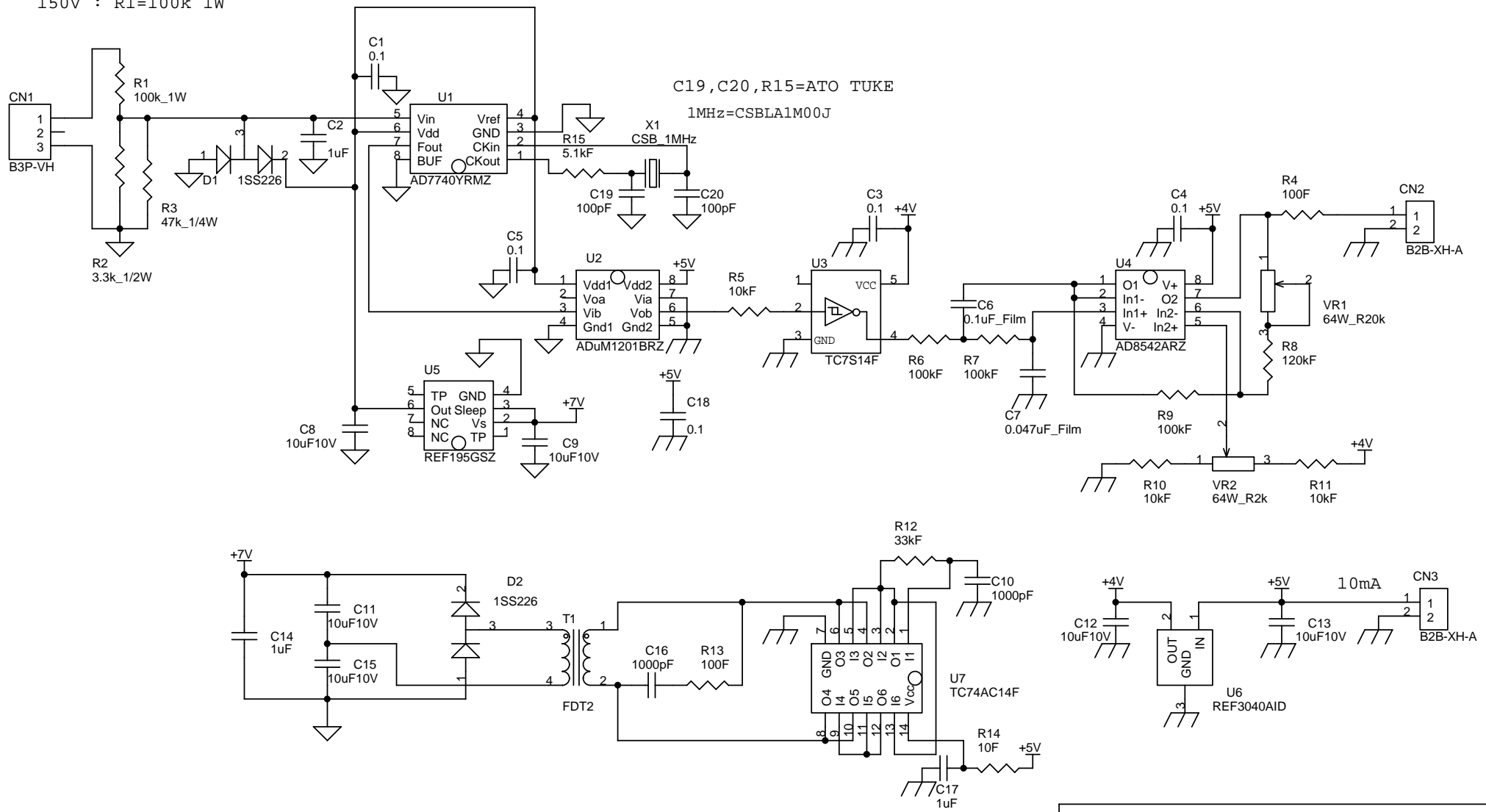


450V : R1=330k 1W  
 300V : R1=220k 1W  
 150V : R1=100k 1W

BUF=Low / BUF OFF  
 +5V



C19,C20,R15=ATO TUKE  
 1MHz=CSBLA1M00J

Title		
HV_Divide v1.0		
Size	Document Number	Rev
A4	<Doc>	1
Date:	Tuesday, November 13, 2012	Sheet 1 of 1