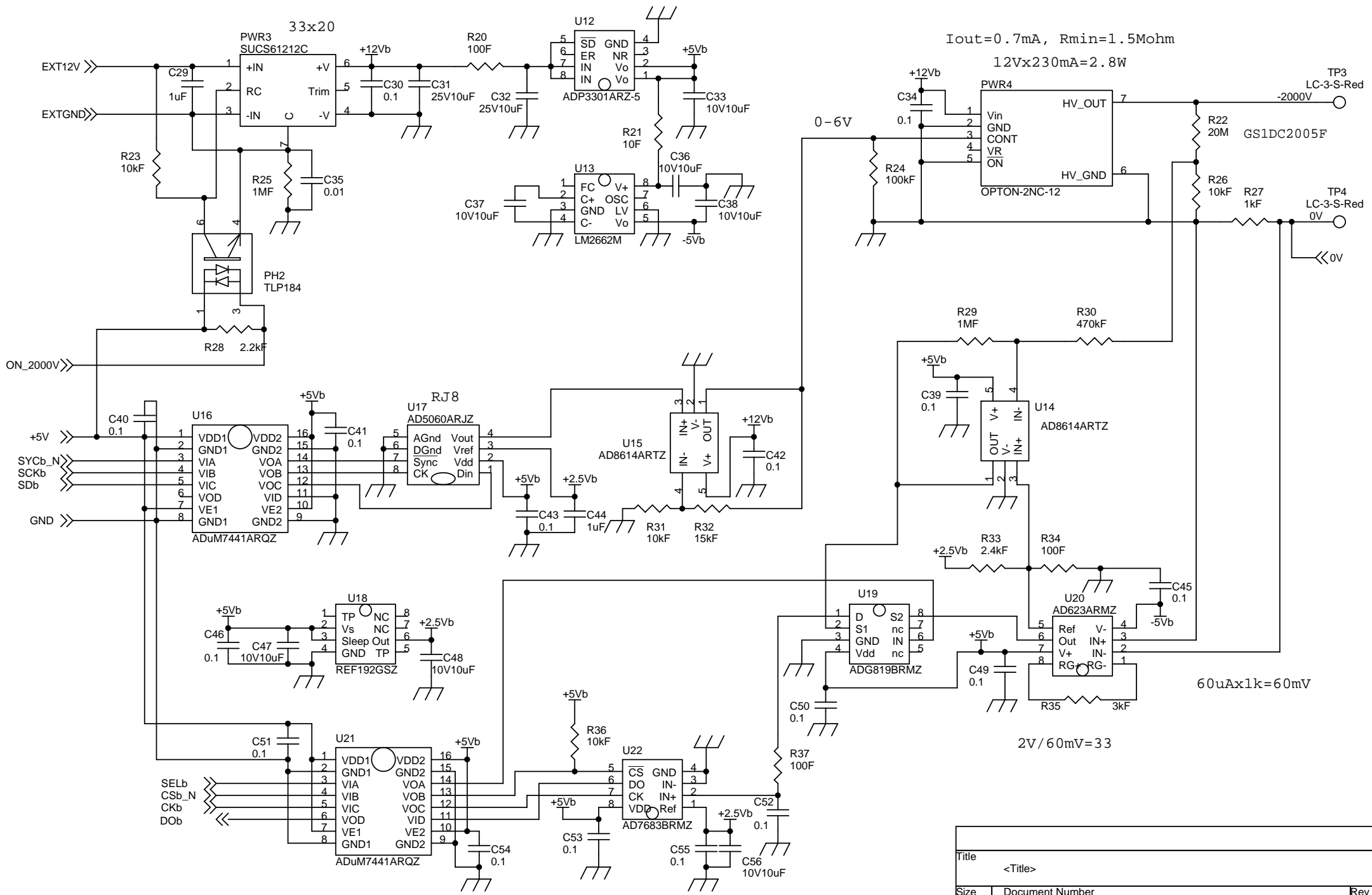
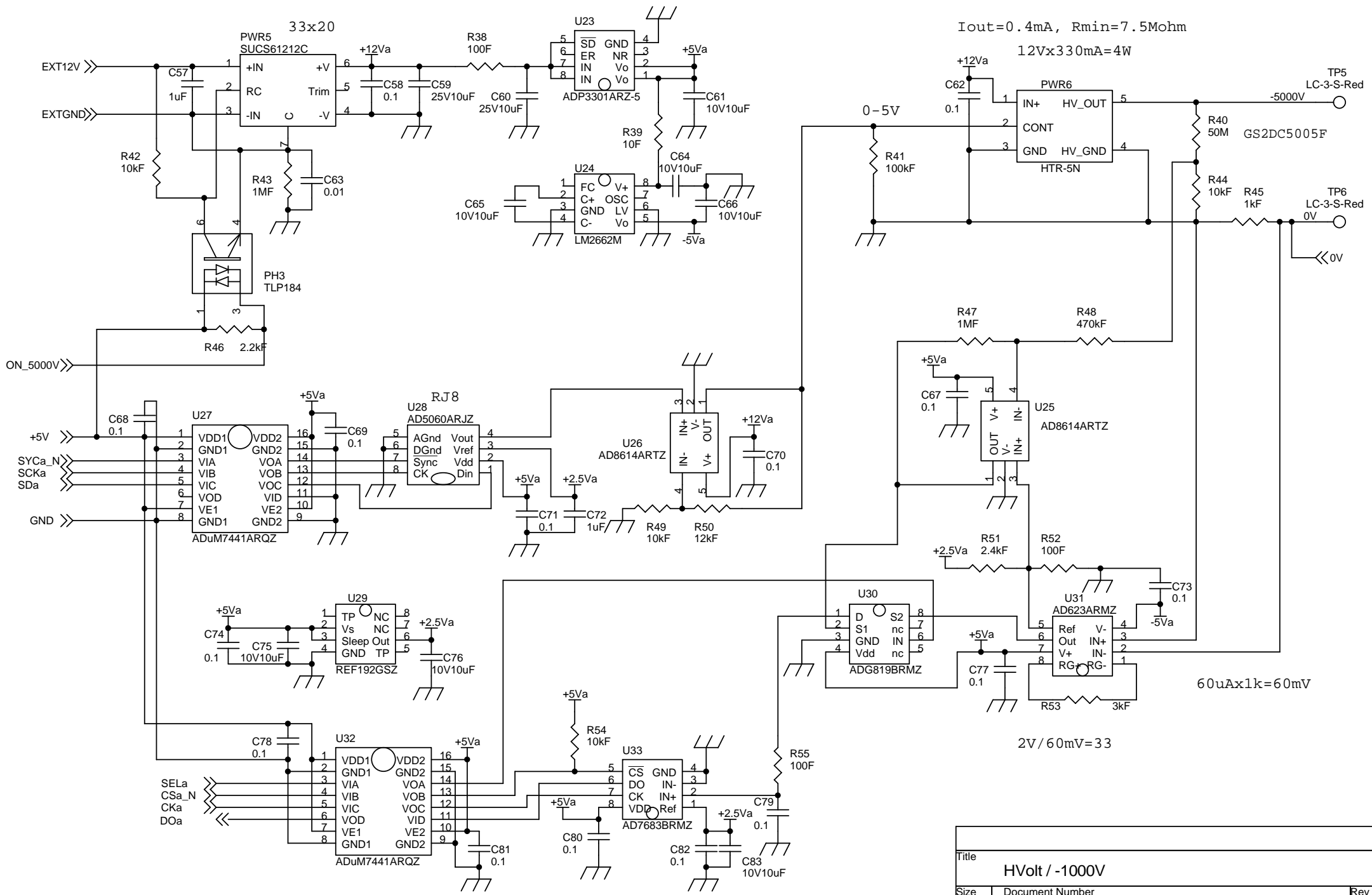


Title			<Title>
Size	Document Number		Rev
A4	<Doc>		<RevCo
Date:	Monday, September 14, 2015	Sheet	1 of 5



Title		
<Title>		
Size	Document Number	Rev
A4	<Doc>	1
Date:	Monday, September 14, 2015	Sheet 2 of 5



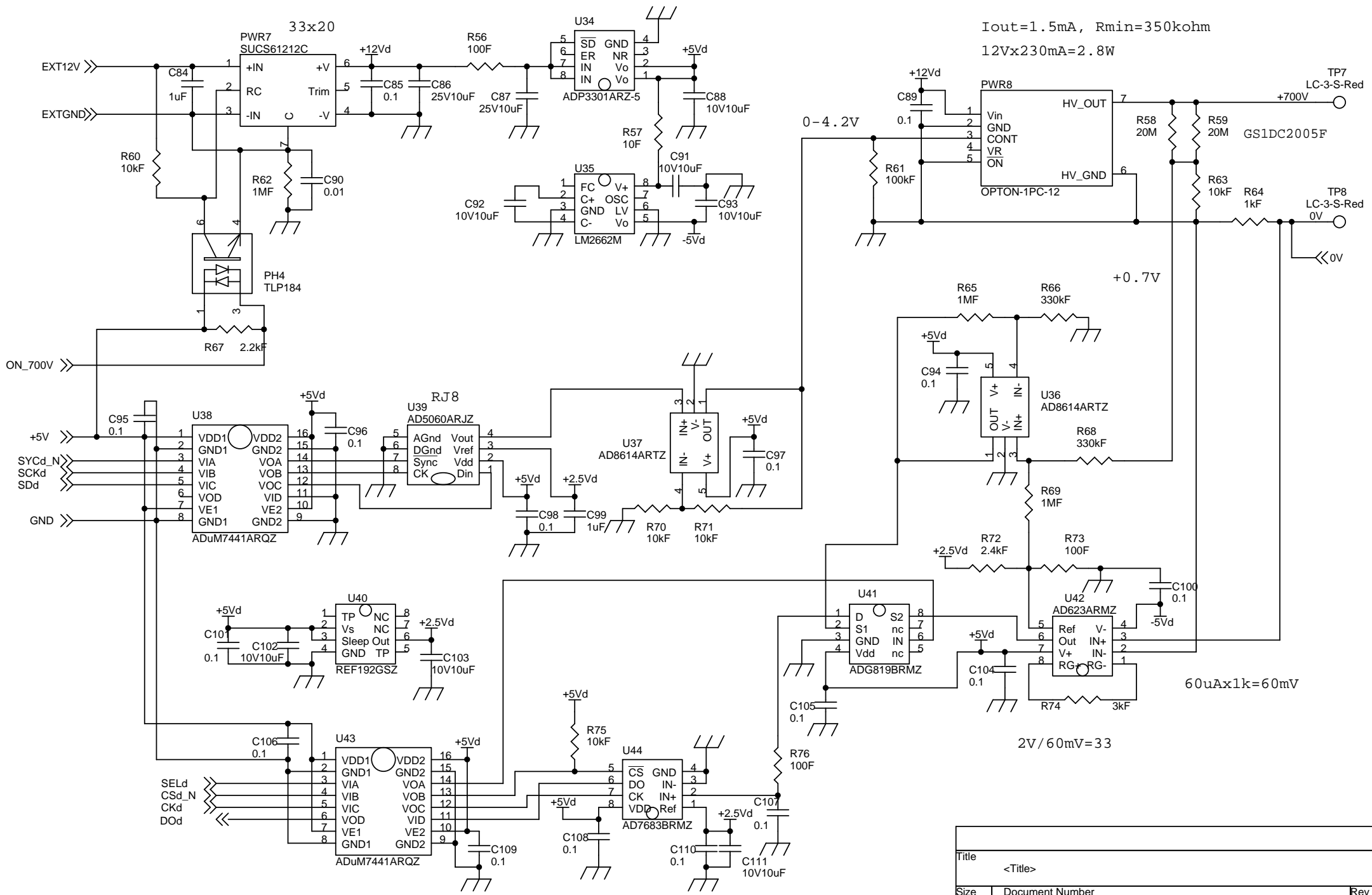
$I_{out} = 0.4mA$, $R_{min} = 7.5Mohm$

$12V \times 330mA = 4W$

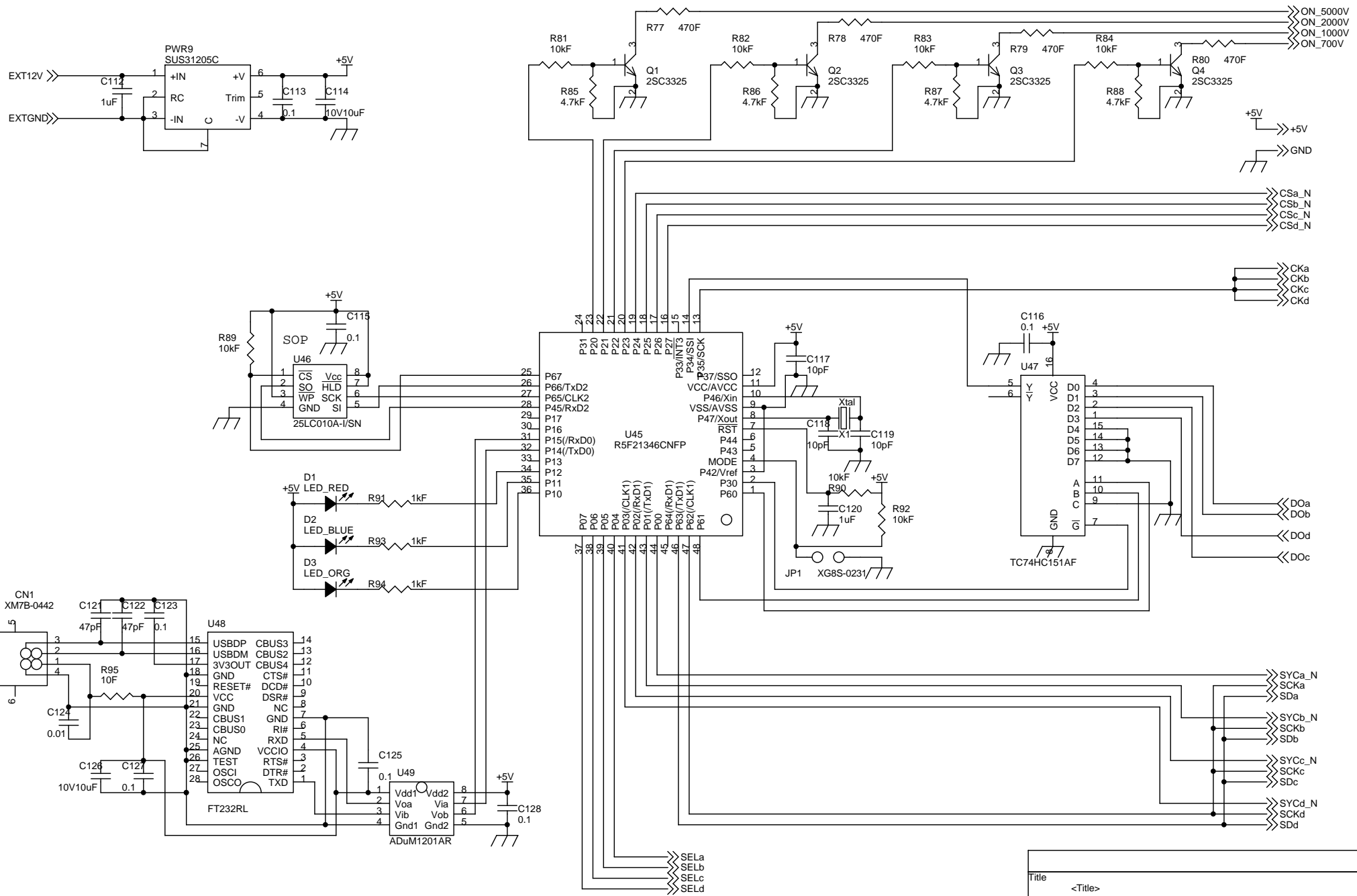
$60\mu A \times 1k = 60mV$

$2V / 60mV = 33$

Title		
HVOLT / -1000V		
Size	Document Number	Rev
A4	<Doc>	1
Date:	Monday, September 14, 2015	Sheet 3 of 5



Title			<Title>
Size	Document Number		Rev
A4	<Doc>		<RevCo
Date:	Monday, September 14, 2015	Sheet	4 of 5



Title			<Title>
Size	Document Number	Rev	
Custom	Doc	<Rev>Cod	
Date:	Monday, September 14, 2015	Sheet	5 of 5