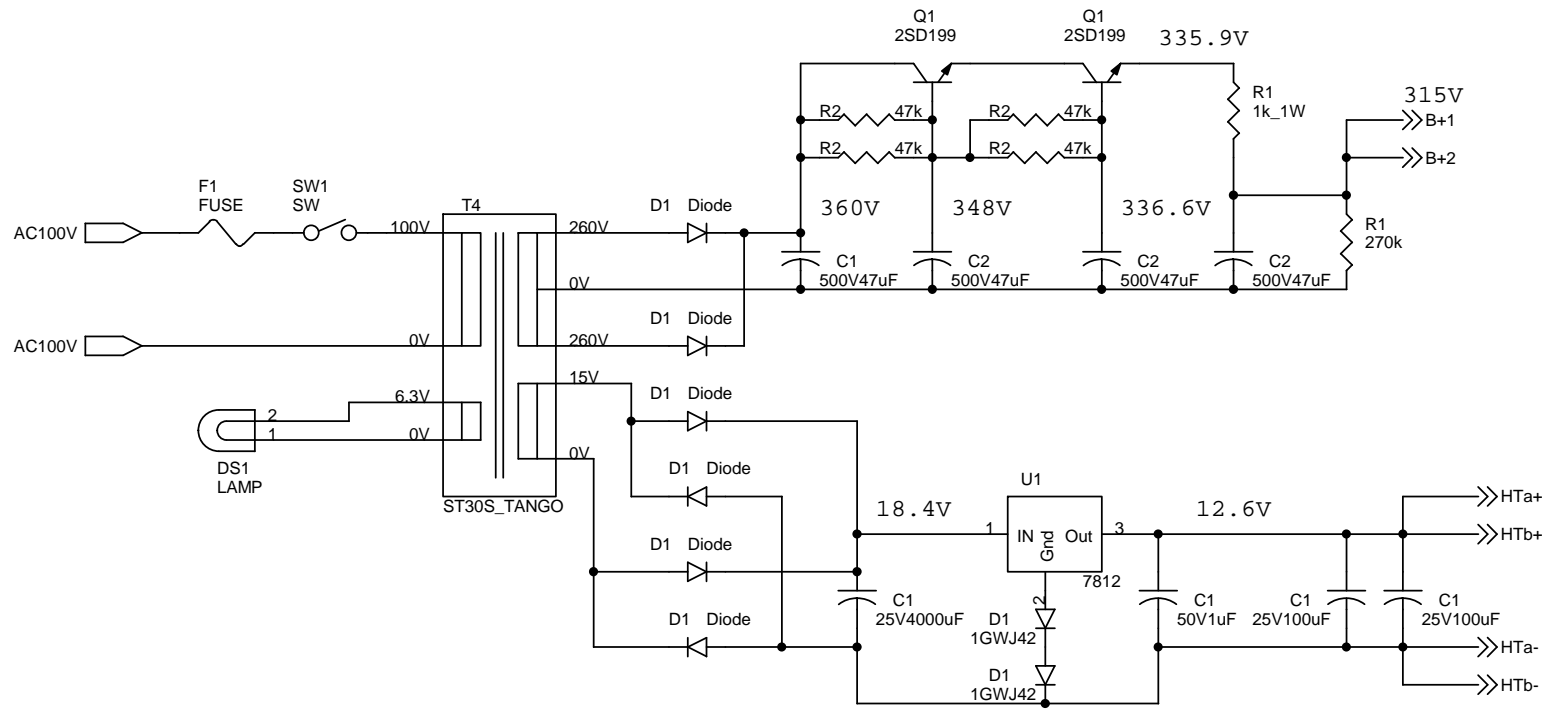


1uF\_250V=AKITUKI\_(P-11710)  
0.1uF\_250V=AKITUKI  
(P-11706)

Title		
PreAMP / rev1		
Size	Document Number	Rev
A4	<Doc>	1
Date:	Wednesday, December 16, 2020	Sheet 0 of 1



Title		
PreAMP / POWER rev1		
Size	Document Number	Rev
A4	<Doc>	1
Date:	Wednesday, December 16, 2020	Sheet 1 of 1